

# Electronic Exposed TECK® Flush Valve


**TECK®**  
COMMERCIAL

**DELTA**

**81T231-WMSHWA**  
**Exposed Hardwire Operated**  
**3/4" Top Inlet Urinal Fixture**

- Polished chrome-plated vandal resistant metal cover with 4" wallmount sensor
- Right or left-hand supply installation
- ADA compliant, automatic operation hardwire powered **H2Optics®** technology infrared sensor
- Infrared sensor range adjustment of 305mm - 711mm (12" - 28"), in 4" increments, factory set at 508 mm (20") [± 50.8 mm (2")]
- Hardwire adaptor
- Vandal resistant copper tube conduit
- Adjustable 24 hour courtesy flush factory set to off
- 24 VAC input
- Electronic override button
- (110 to 24 VAC Transformer not included. See selection below for additional part number.)
- TECK® exposed diaphragm flush valve
- Chloramine resistant diaphragm
- Forged brass diaphragm retainer
- Renewable seat
- Polished chrome-plated finish
- **External water conserving flush adjustment**, factory set to 1.9 litre (0.50 gal.)
- **1" FIP / 3/4" copper sweat inlet adaptor**, angle check stop with protecting cap
- Adjustable 121mm (4-3/4") plus or minus 11mm (7/16") inlet/valve outlet centers
- Vacuum breaker
- Cover tube, stainless steel wall flange, spud flange, spud nut, and 330mm (13") outlet tube
- **Recommended water supply:**  
Minimum flowing pressure – 25 psi (172 kPa)  
Minimum flow rate – 8 gpm (30 L/min)

**APPROVALS:**

- IAPMO listed to ASSE 1037/ ASME A112.1037/CSA B125.37
-  Indicates compliance to ICC/ANSI A117.1

(Contact Delta Representative for State and/or Local Approvals.)

Patented



**Engineer/Architect Approval**

Model Specified:

Approval:

Date:

**81T231-WMSHWA**



**81T231-19-WMSHWA**

Same as 81T231-WMSHWA,  
**Not Field Adjustable**



**81T231-05-WMSHWA**

Same as 81T231-WMSHWA,  
but set to 0.5 litre (0.125 gal.),  
**Not Field Adjustable**



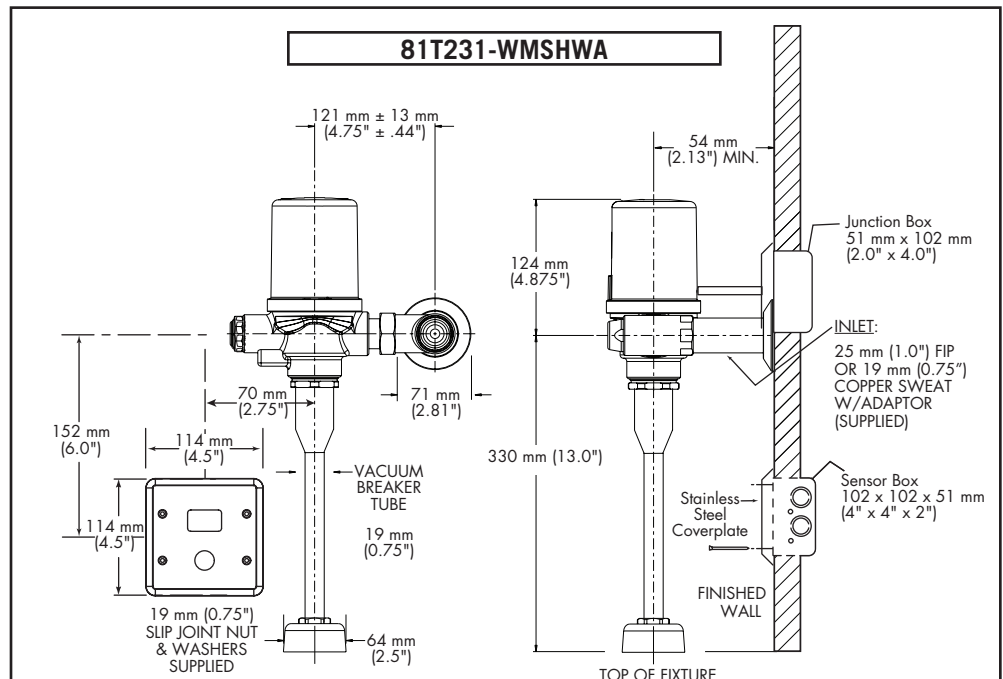
**AVAILABLE OPTIONS FOR FIELD CONVERSION**

**061047A**

**Hardwire with Battery Backup**

See DSP-BB for detailed specification.

✓	TRANSFORMERS	
	<b>060704A</b>	110 to 24 VAC Class 2 20 VA (for up to 5 Electronic Valves)
	<b>060771A</b>	110 to 24 VAC Class 2 40 VA (for up to 10 Electronic Valves)



Note: For high and low pressure applications, please see page FEA-81T High Water Pressure note for more details.

Verify flow requirements with bowl manufacturer.

Note: Measurements may vary ± 6mm (0.25")

Refer to www.specselect.com for individual models.

Note: Use this page as a product submittal sheet.