

Electronic Flush Valve - Exposed

❑ **81T231BTA-MMO**

Exposed Battery Operated 3/4" (19 mm) Top Inlet Urinal Fixture

- Polished chrome plated vandal resistant metal cover with top mounted sensor operated H₂OPTICS® electronics
- **True mechanical manual override button**
- Right or left-hand supply installation
- ADA compliant, automatic operation battery powered infrared sensor
- Scratch resistant replaceable lens window
- Four (4) size AA alkaline batteries factory installed with valve in sleep mode for easy installation
- Hinged battery housing for easy maintenance
- Low battery flashing light (5,000 flushes remaining) with battery strength indicator
- Infrared sensor range adjustment of 8" - 24" (203 mm - 610 mm), factory set at 16" ±2" (406 mm ±51 mm)
- Optional 24 hour automatic flush factory set to OFF
- Set-up sensor range adjustment indicator lights
- 6 VDC input, 6 second arming delay
- Electronic operated non-hold-open **metal** override button with 5 second lockout
- Quiet action, TECK® exposed diaphragm flush valve
- Chloramine resistant diaphragm
- Forged brass diaphragm retainer
- Renewable seat
- Polished chrome-plated body
- **External water conserving flush adjustment**, factory set to 1.9 Lpf (0.5 gpf)
- **1" FIP/Copper sweat inlet adaptor**, angle check stop with protecting cap
- Adjustable 4.75" (121 mm) plus or minus 7/16" (11 mm) inlet/valve outlet centers
- Vacuum breaker
- Cover tube, wall flange, spud flange, concealed spud nut, and 13" (330 mm) outlet tube

❑ **81T231BTA-MMO-CV**

Same as 81T231BTA, but actuation buttons have CuVerro® bactericidal* surfaces

❑ **81T231BTA-05-MMO**

Same as 81T231BTA-MMO, but set to 0.5 Lpf (0.125 gpf), **Not Field Adjustable**



OPTIONS AVAILABLE (for Field Conversion):

❑ **061391A**

Convert to actuation buttons with CuVerro® bactericidal* surfaces (81T electronic series)

APPROVALS:

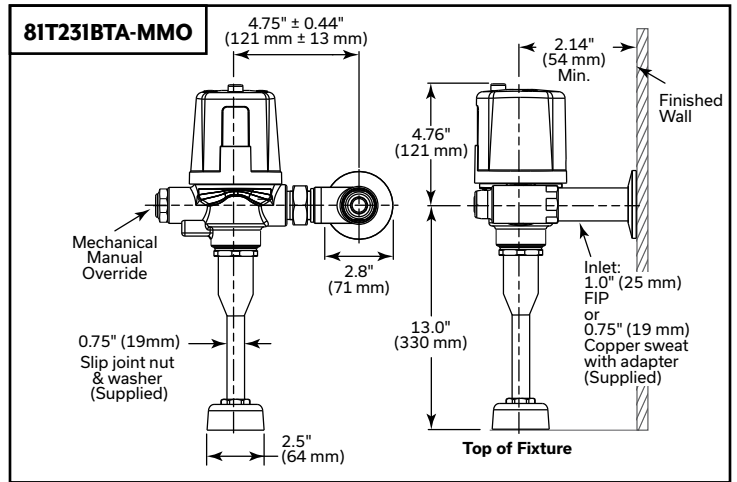
- Complies to ASSE 1037/ASME A112.1037/ CSA B125.37
- Indicates compliance to ICC / ANSI A117.1
- "-05" model are EPA WaterSense® listed
- Suffix "-CV" models are surfaced with CuVerro® alloys which are registered with Health Canada PMRA and the EPA

- **Recommended water supply:**
Minimum flowing pressure – 25 psi (172 kPa)
Minimum flow rate – 8 gpm (30 L/min)

OPTIONAL FEATURE

- Copper Defense™ technology with CuVerro Shield™ alloys
 - Safe to use, no harmful chemicals
 - Efficacy for life of the product
 - Kills 99.9% of bacteria* within two hours of contact
 - Durable materials
 - Continuously reduces bacterial* contamination when regularly cleaned
 - Helps inhibit buildup and bacterial* growth

81T231BTA-MMO



NOTICE

- Measurements may vary ± 0.25" (6mm)
- For high and low pressure applications, please see page FEA-81T High Water Pressure note for more details.
- Verify flow requirements with bowl manufacturer.

Engineer/Architect Approval	
Model Specified:	
Approval:	Date:

* - Laboratory testing shows that, when cleaned regularly, CuVerro® surfaces kill greater than 99.9% of the following bacteria within 2 hours of exposure: Methicillin-Resistant *Staphylococcus aureus*, *Staphylococcus aureus*, *Enterobacter aerogenes*, *Pseudomonas aeruginosa*, *E. coli* O157:H7, and Vancomycin-Resistant *Enterococcus faecalis* (VRE).
- The use of CuVerro® bactericidal copper products is a supplement to and not a substitute for standard infection control practices; users must continue to follow all current infection control practices, including those practices related to cleaning and disinfection of environmental surfaces. This surface has been shown to reduce microbial contamination, but it does not necessarily prevent cross contamination.

CuVerro® and CuVerro Shield™ are registered trademarks of GBC Metals LLC and are used with permission. Watersense® is a registered trademark of the U.S. Environmental Protection Agency.

Delta Faucet reserves the right (1) to make changes in specifications and materials, and (2) to change or discontinue models, both without notice or obligation. Dimensions are for reference only. See current full-line price book or www.specselect.com for finish options and product availability.

Flow Rates are at 60 PSI.

NOTICE Use all pages as product submittal sheets.

DSP-81T231BTA-MMO, Rev.E