

81T231

Description

Exposed manual flush valve for 0.75" (19 mm) top spud urinal fixture with quiet action chloramine-resistant diaphragm and adjustable flush volume factory set to 0.5 gpf (1.9 Lpf).

Specification

- Flush Volume: Adjustable - factory set @ 0.5 gpf (1.9 Lpf)
- Fixture Type: Urinal with 0.75" (19 mm) top spud
- Valve Type: Urinal Flush Valve
- Operation: Oscillating handle

Features

- Quiet action, chloramine resistant diaphragm
- Right or left-hand supply installation
- Renewable seat
- Vacuum breaker
- EZ Adjust system
- Polished chrome-plated finish
- Maximum 13.0" (330 mm) from centerline of valve inlet to top of urinal
- 1.0" (25 mm) FIP / 0.75" (19 mm) Copper Sweat inlet adaptor, angle check stop with protecting cap
- Adjustable flush valve tail
- Vandal resistant cover screw
- ADA compliant metal oscillating handle actuator with "non hold open" feature for enhanced accessibility and precise control
- Cover tube, stainless steel wall flange, spud flange, spud nut, and 13.0" (330 mm) outlet tube
- Water conserving adjustable flush volume from 0.125 - 1.0 gpf (0.47 - 3.78 Lpf), factory set to 0.5 gpf (1.9 Lpf) for efficient water usage
- Adjustable 4.75" ± 0.5 " (121 mm ± 13 mm) inlet/valve outlet centers

Optional Accessories

- **060115A** - 0.75" (19 mm) Diameter Split Ring Hanger
- **061428A** - Standard left-hand thread tail 1.0" (25 mm) extension
- **061429A** - Standard left-hand thread tail 2.0" (51 mm) extension

Operation

- Recommended water supply:
Minimum flowing pressure – 25 psi (172 kPa)
Minimum flow rate – 8 gpm (30 L/min)



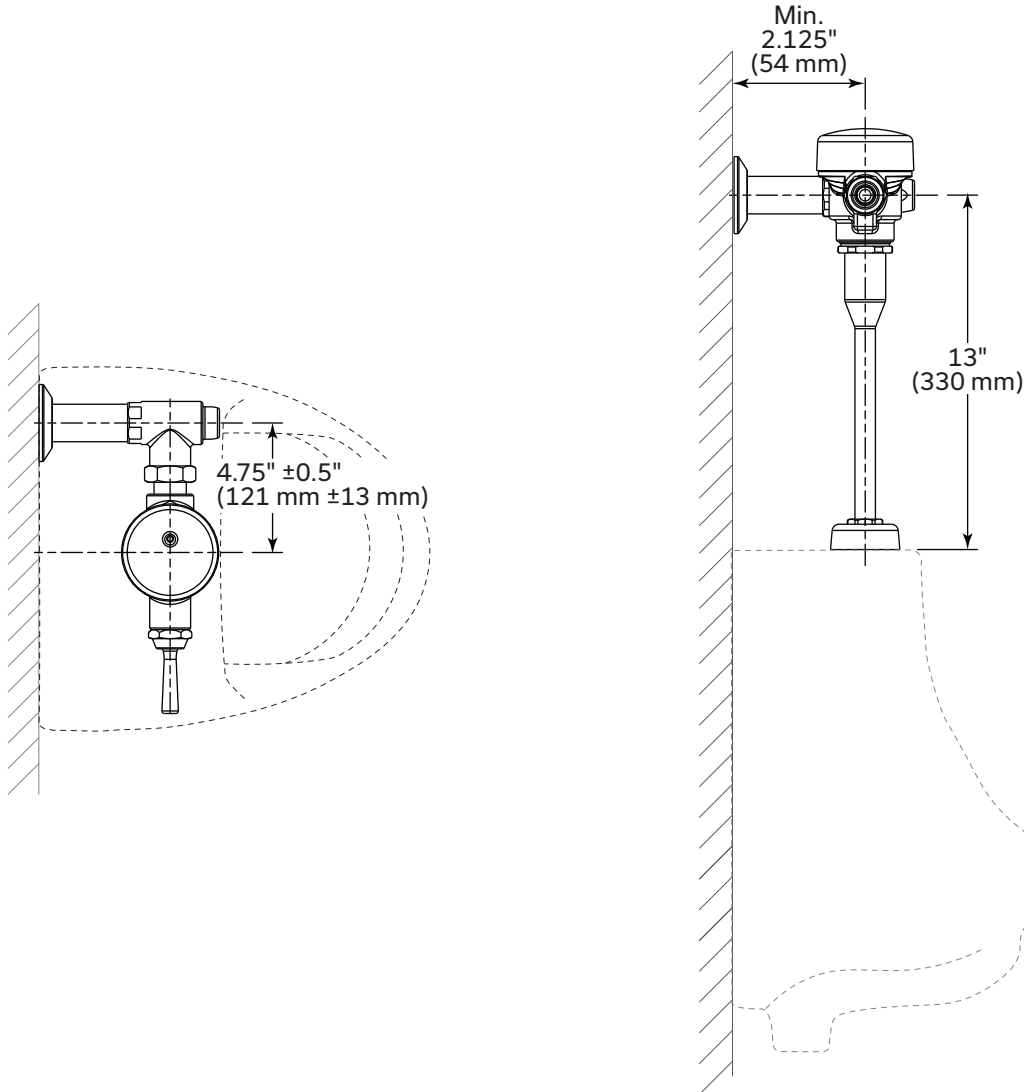
Complies With

- ASSE 1037/ASME A112.1037/ CSA B125.37
- ICC / ANSI A117.1



(Contact Delta Representative for State and/or Local Approvals)

81T231



Teck® flush valves are designed to operate at any supply pressure between 20 psi and 125 psi in accordance with ASSE 1037/ASME A1 12.1037/ CSA B125.37. The Teck® flush valve delivers the industry's highest peak flows to enhance bowl scrubbing. At high water pressures, splash out, noise or reduced life of plumbing components may be observed with a few models of water closet or urinal fixtures. To minimize or eliminate these effects, select a different model of water closet or urinal from the same or another manufacturer, or install a pressure reducing valve. If the installation does not allow for either of these options, the control stop adjusting screw may be used to reduce pressure to the valve.

NOTICE Dimensions are for reference only, measurements may vary $\pm 0.25"$ (6 mm).
Maximum flow rates - 60 psi (414 kPa).

© 2025 Masco Canada Limited
350 South Edgeware Rd, St Thomas, Ontario, Canada N5P 4L1
1-800-387-8277

81T231

Masco Canada Limited reserves the right (1) to make changes in specifications and materials, and (2) to change or discontinue models, both without notice or obligation. See current full-line price book for finish options and product availability.

This spec was produced on June 26, 2025.