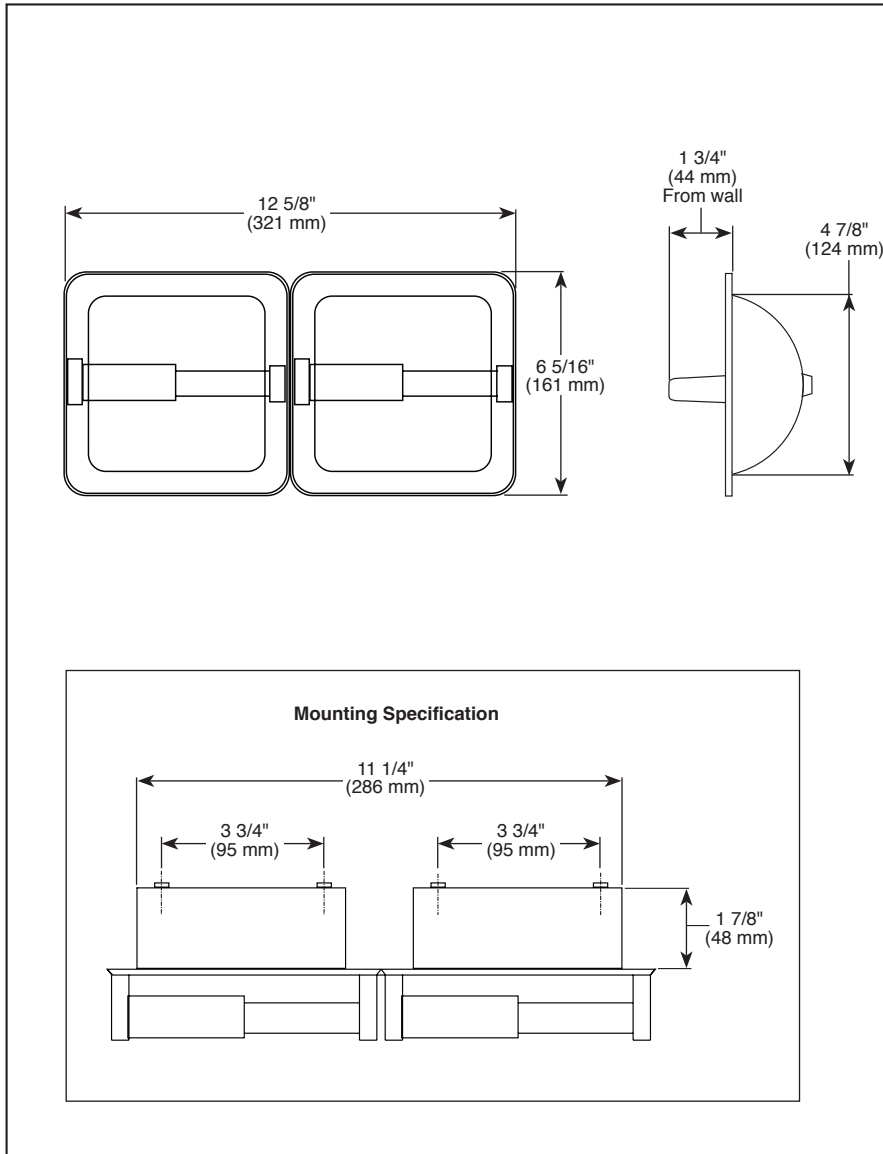


44970

Submitted Model No.: _____

Specific Features: _____



ACCESSORIES

- Recessed twin paper holder

STANDARD SPECIFICATIONS:

- Spring actuated plastic roller.
- If wood block available install recessed shelf into opening using 4- #8 x 1-1/4" flat head stainless steel screws provided. If wood blocking is not available use 2 optional RP71072 recessed wall clamp.
- Mounting hardware included with product.

WARRANTY

- Lifetime limited warranty on parts (other than electronic parts and batteries) and finishes; or, for commercial users, for 5 years from the date of purchase.
- 5 year limited warranty on electronic parts (other than batteries); or for commercial users, for 1 year from the date of purchase. No warranty is provided on batteries.