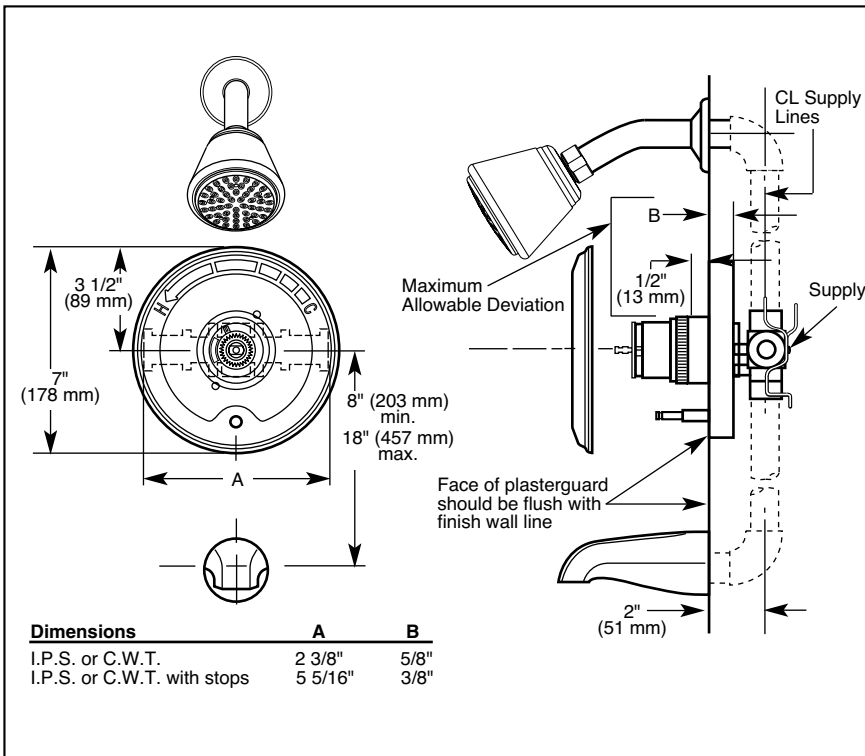


Submitted Model No.: _____

Specific Features: _____



DELTA

BATH MIXING VALVES

- Valve Only (1408 Series)
- Tub/Shower (1438 Series)
- Single Handle
- LHP-Less Handle Program
- Push-Button Diverter
- Monitor® with Scald-Guard® Valve
- Pressure Balance
- Temperature Only Controlled with Handle

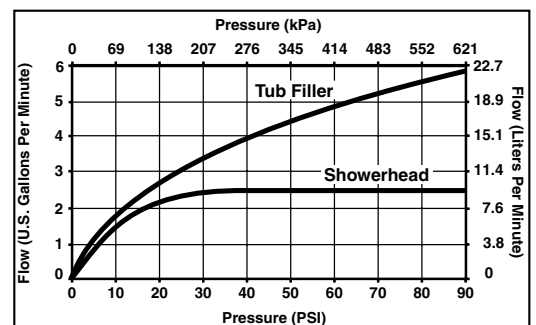


COMPLIES WITH:

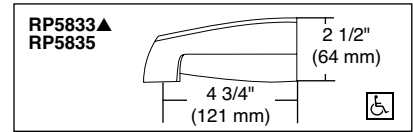
- ASME A112.18.1M-1996
- ASSE 1016-1996
- CSA B125-93
- Indicates ADA compliance to CABO/ANSI A117.1-1992
- Showerhead GSA A-A-240
- ASSE Seal Authorized
- City of L.A. approved
- CSA Certified
- IAPMO Listed

STANDARD SPECIFICATIONS:

- Pressure balanced single handle bath mixing valve.
- Requires 1 1/2" (38 mm) wall cavity.
- Back-to-back installation capability.
- Solid brass fabricated body.
- LHP-Less Handle Program. See available handle options on back.
- Push-button diverter.
- Monitor® with Scald-Guard® valve. Maintains a balanced pressure of hot and cold water even when a valve is turned on or off elsewhere in the system.
- Temperature only controlled with handle.
- Field adjustable to limit handle rotation into hot water zone.
- 120° maximum handle rotation.
- All parts shall be replaceable from the front of the valve.



Standard Features	1408-CLHP	1408-CWSLHP	1408-LHP	1408-PBLHP	1438-CLHP	1438-CPBLHP	1438-CWSLHP	1438-LHP	1438-PBLHP	1438-WHLHP	1438-WSLHP
Washerless	◆	◆	◆	◆	◆	◆	◆	◆	◆	◆	◆
1/2" I.P.S. Inlets and Outlets			◆	◆				◆	◆	◆	◆
1/2" C.W.T. Sweat Inlets and Outlets	◆	◆			◆	◆	◆				
Less Handle Program-See Handle Kit Options*	◆	◆	◆	◆	◆	◆	◆	◆	◆	◆	◆
Push-Button Diverter	◆	◆	◆	◆	◆	◆	◆	◆	◆	◆	◆
Metal Shower Arm and Flange					◆	◆	◆	◆	◆	◆	◆
Non-Metallic Touch-Clean® Showerhead/1 Spray Pattern					◆	◆	◆	◆	◆	◆	◆
Metal Over-the-Rim Tub Filler					◆	◆	◆	◆	◆	◆	◆
Chrome Finish	◆	◆	◆		◆		◆	◆			◆
Brilliance™ Polished Brass Finish				◆		◆			◆		
White Finish										◆	



Available Options for Field Conversion:

- Screwdriver Stops. Order two RP5876s for I.P.S. or two RP6005s for C.W.T.
- Shower Arm. Order RP6023▲.
- Shower Flange. Order RP6025▲.
- Non-Metallic Push Clean™ showerhead/1 spray pattern. Order RP28599▲.
- Non-Metallic Dual Spray Touch-Clean® showerhead/2 spray patterns. Order RP28601▲.
- Non-Metallic Ultimate Touch-Clean® showerhead/3 spray patterns. Order 28602▲.
- Brass shower arm diverter for hand shower. Order RP4239 (chrome only).
- Personal hand shower with 24" vertical bar, 60" hose. Order RP7245 (chrome only).
- Personal hand shower with 24" vertical bar, 60" hose, vacuum breaker and wall supply elbow. Order RPW1111HDF (chrome only).
- Personal hand shower with 60" hose, vacuum breaker and wall supply elbow. Order RPW2222HDF (chrome only).
- Metallic over-the-rim slip-on tub filler for 1/2" C.W.T. Order RP5835 (chrome only).
- Bath waste assemblies and bath accessories also available separately.

▲=Specify Finish

***Available LHP Handle Options**

H71▲ 1 1/2" (38 mm)	H72▲ A72 2 3/8" (60 mm)	H73▲ A73 1 1/8" (29 mm)	H74▲ A74 3 1/4" (83 mm)
H75▲ 2 1/2" (64 mm)	H77▲ 1 5/8" (41 mm)	H78 2 1/4" (57 mm)	H79▲ 3 3/8" (86 mm)

***Available LHP Handle Accent Options**

A72CL	A74, A74AL, A74PB, A74WH
A72, A72AL, A72PB, A72PR, A72WH	A73, A73PB, A73WH
A72OK	A73ST
A74CL	

 Full Spray	RP28599▲ Push-Clean™ Showerhead 2 1/2" (64 mm) 2" (51 mm)	RP28600▲ Touch-Clean® Showerhead 3 1/2" (89 mm) 3 7/16" (87 mm)
 Massage Spray	RP28601▲ Dual Spray Touch-Clean® Showerhead 4" (102 mm) 3 7/16" (87 mm)	RP28602▲ Ultimate Touch-Clean® Showerhead 4 3/8" (111 mm) 3 1/2" (89 mm)
 Soft Aerated Spray		



Indianapolis, Indiana 46280
A Division of Masco Corporation of Indiana
© 2001 Masco Corporation of Indiana