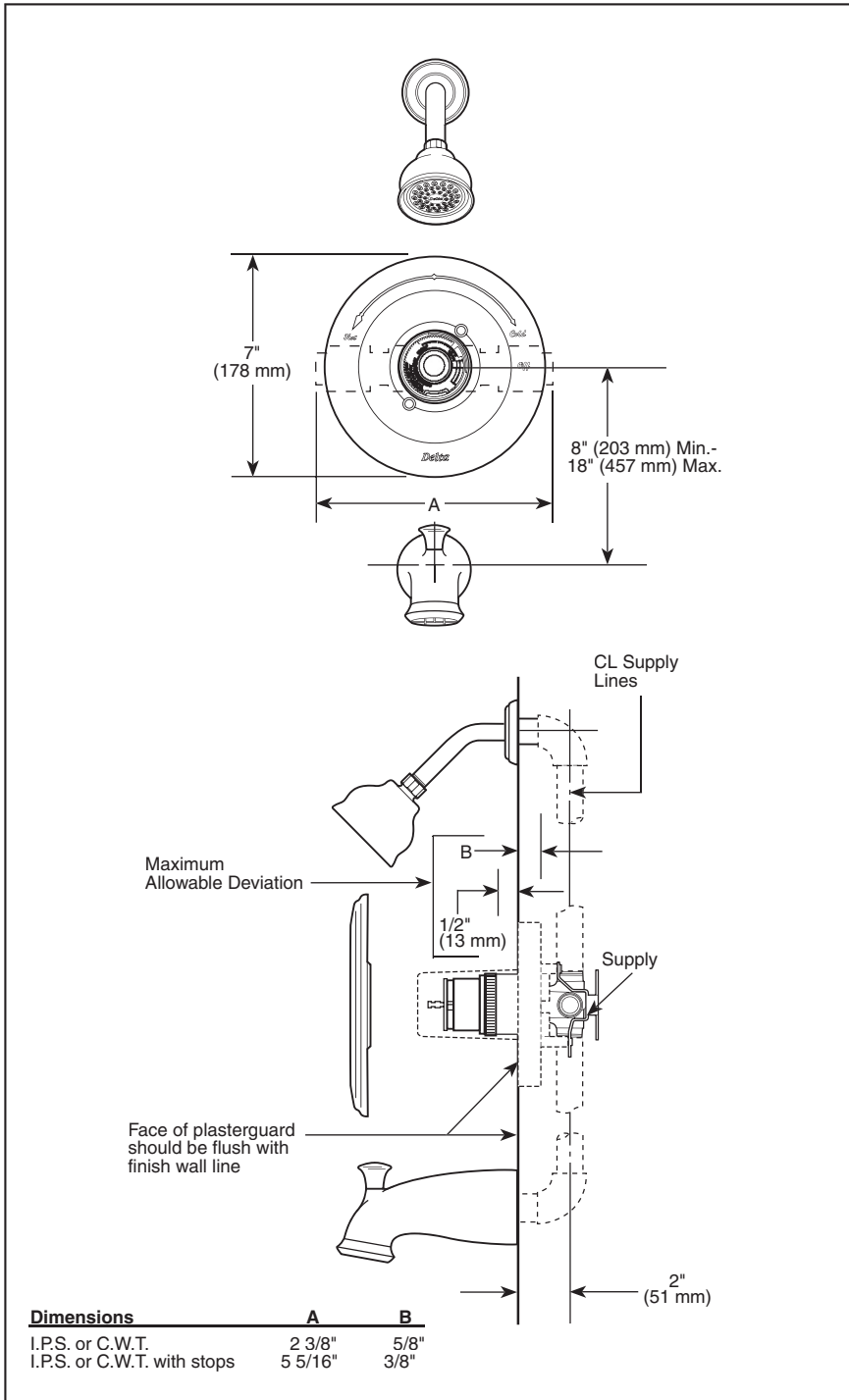


Submitted Model No.: _____

Specific Features: _____



BATH MIXING VALVES

- Tub Only (T14169-LHPTP)
- Shower Only (14269-LHP)
- Tub/Shower (14469-LHP)
- Single Handle
- LHP-Less Handle Program
- Monitor® with Scald-Guard® Valve
- Pressure Balance
- Temperature Only Controlled with Handle
- Universal Fittings

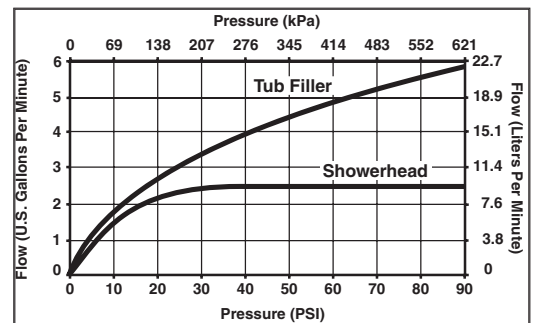


COMPLIES WITH:

- ASME A112.18.1
- ASSE 1016
- CSA B125
- Indicates ADA compliance to ICC/ANSI A117.1

STANDARD SPECIFICATIONS:

- Pressure balanced single handle bath mixing valve.
- Requires 1 1/2" (38 mm) wall cavity.
- Back-to-back installation capability.
- Solid brass fabricated body.
- LHP-Less Handle Program. See available handle options on back.
- Monitor® with Scald-Guard® valve. Maintains a balanced pressure of hot and cold water even when a valve is turned on or off elsewhere in the system.
- Temperature only controlled with handle.
- Field adjustable to limit handle rotation into hot water zone.
- 120° maximum handle rotation.
- All parts shall be replaceable from the front of the valve.

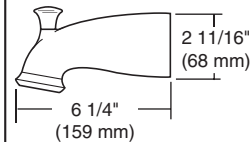


Standard Features	T14169-LHPTP	T14169-MCLHPTP	T14169-SSLHPTP	14269-LHP	14269-MCLHP	14269-SSLHP	14469-LHP	14469-MCLHP	14469-SSLHP
Washerless	◆	◆	◆	◆	◆	◆	◆	◆	◆
1/2" I.P.S. Inlets and Outlets	◆	◆	◆	◆	◆	◆	◆	◆	◆
1/2" C.W.T. Sweat Inlets and Outlets	◆	◆	◆	◆	◆	◆	◆	◆	◆
Less Handle Program - See Handle Kit Options *	◆	◆	◆	◆	◆	◆	◆	◆	◆
Metal Shower Arm and Flange	◆	◆	◆	◆	◆	◆	◆	◆	◆
Single Spray Touch-Clean® Showerhead				◆	◆	◆	◆	◆	◆
Tub Filler w/Pull-Up Diverter							◆	◆	◆
Non-Diverter Tub Filler	◆	◆	◆						
Chrome Finish	◆			◆			◆		
Matte Chrome Finish		◆			◆			◆	
Brilliance® Stainless Finish			◆			◆			◆

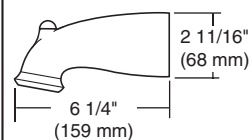
Available Options for Field Conversion:

- Screwdriver Stops. Order two RP5876s for I.P.S. or two RP6005s for C.W.T.
- Shower Arm. Order RP6023▲.
- Shower Flange.
- Non-Metallic Push Clean™ showerhead/1 spray pattern. Order RP28599▲.
- Non-Metallic Dual Spray Touch-Clean® showerhead/2 spray patterns. Order RP28601▲.
- Non-Metallic Ultimate Touch-Clean® showerhead/3 spray patterns. Order RP28602▲.
- Brass shower arm diverter for hand shower. Order RP4239 (chrome only).
- Personal hand shower with 24" vertical bar, 60" hose. Order RP7245 (chrome only).
- Personal hand shower with 24" vertical bar, 60" hose, vacuum breaker and wall supply elbow. Order RPW1111HDF (chrome only).
- Metallic tub filler with pull-down diverter for 1/2" C.W.T. or 1/2" I.P.S. Order RP17454▲.
- Non-metallic tub filler with pull-down diverter for 1/2" C.W.T. or 1/2" I.P.S. Order RP17453 (chrome only).
- Non-metallic slip-on tub filler with pull-down diverter for 1/2" C.W.T. Order RP5836 (chrome only).
- Metallic tub filler with pull-up diverter for 1/2" C.W.T. or 1/2" I.P.S. Order RP7533▲.
- Non-metallic tub filler with pull-up diverter for 1/2" C.W.T. or 1/2" I.P.S. Order RP5834 (chrome only).
- Non-metallic slip-on tub filler with pull-up diverter for 1/2" C.W.T. Order RP19820 (chrome only).
- Metallic over-the-rim tub filler for 1/2" I.P.S. Order RP5833▲.
- Metallic over-the-rim slip-on tub filler for 1/2" C.W.T. Order RP5835 (chrome only).
- Bath waste assemblies and bath accessories also available separately.

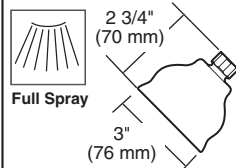
RP43161▲



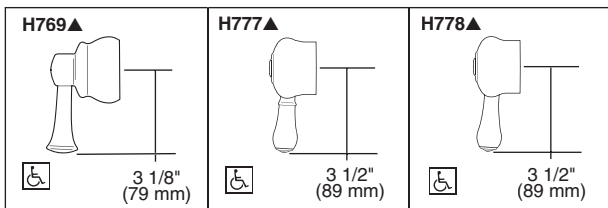
RP43165▲



RP43164▲



*Available LHP Handle Options



▲ = Specify Finish



Indianapolis, Indiana 46280
A Division of Masco Corporation of Indiana
© 2004 Masco Corporation of Indiana

DSP-B-14169-LHP