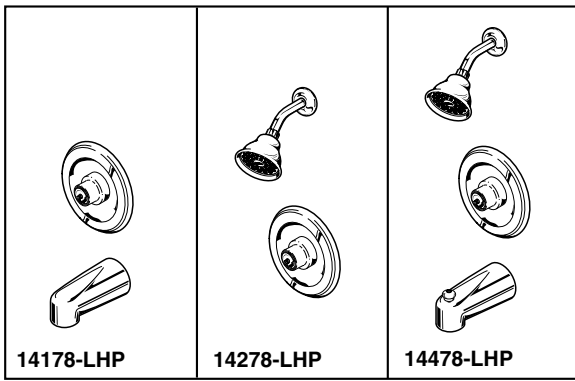


DELTA[®]

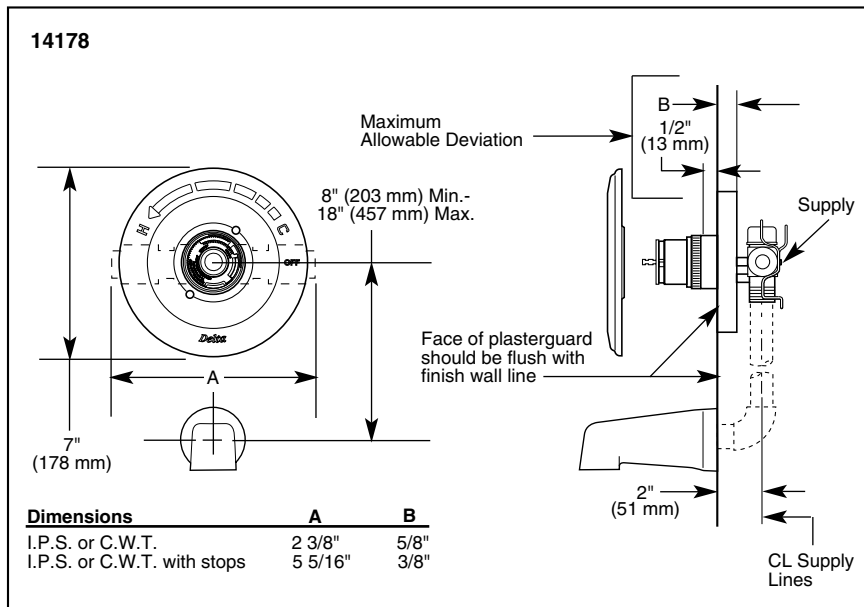
BATH MIXING VALVES



Submitted Model No.: _____

Specific Features: _____

- Leland™ Series
- Tub Only (14178)
- Shower Only (14278)
- Tub/Shower (14478)
- Single Handle
- Monitor[®] with Scald-Guard[®] Valve
- Pressure Balance
- Temperature Only Controlled with Handle
- Universal Fittings

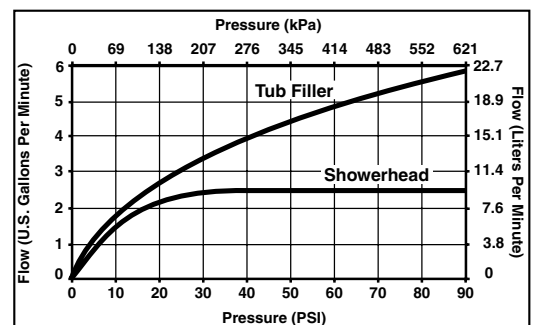
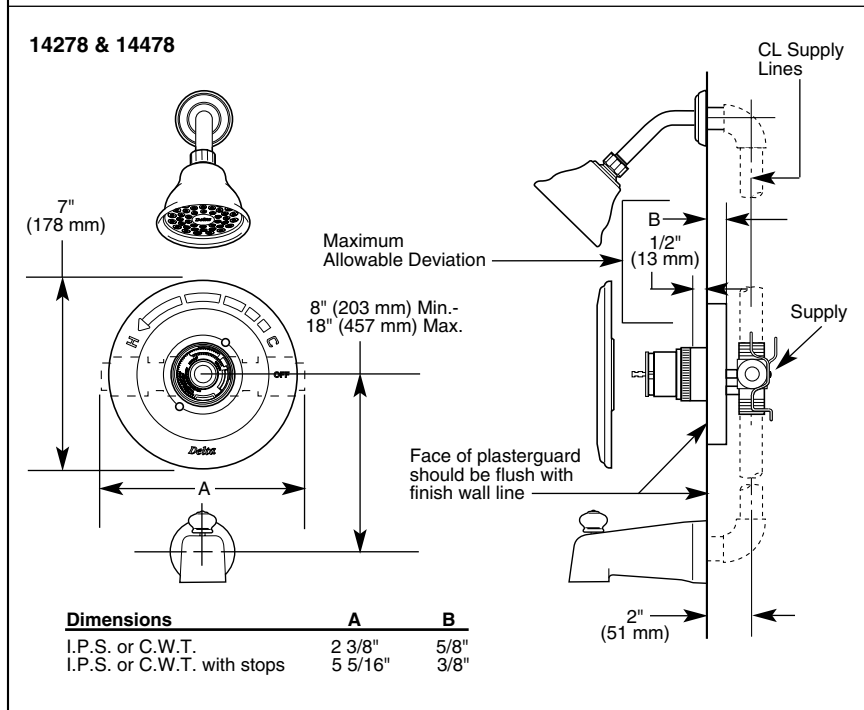


COMPLIES WITH:

- ASME A112.18.1
- ASSE 1016
- CSA B125
- Indicates ADA compliance to ICC/ANSI A117.1

STANDARD SPECIFICATIONS:

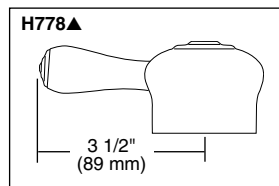
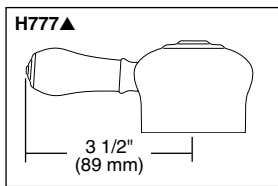
- Pressure balanced single handle bath mixing valve.
- Requires 1 1/2" (38 mm) wall cavity.
- Back-to-back installation capability.
- Solid brass fabricated body.
- Monitor[®] with Scald-Guard[®] valve. Maintains a balanced pressure of hot and cold water even when a valve is turned on or off elsewhere in the system.
- Temperature only controlled with handle.
- Field adjustable to limit handle rotation into hot water zone.
- 120° maximum handle rotation.
- All parts shall be replaceable from the front of the valve.
- LHP- less handle program. See available handle options on back



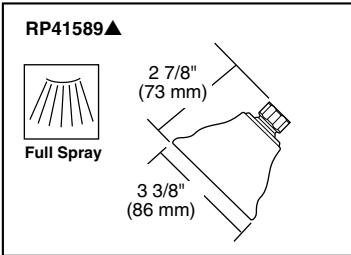
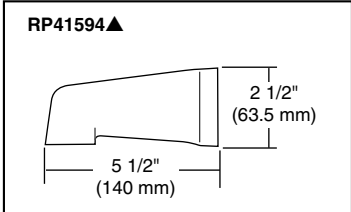
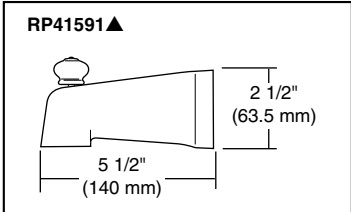
Standard Features	14178-LHP	14178-SSLHP	14278-LHP	14278-SSLHP	14478-LHP	14478-SSLHP
	Washerless	◆	◆	◆	◆	◆
1/2" I.P.S. Inlets and Outlets	◆	◆	◆	◆	◆	◆
1/2" C.W.T. Sweat Inlets and Outlets	◆	◆	◆	◆	◆	◆
Less Handle Program-See Handle Kit Options*	◆	◆	◆	◆	◆	◆
Metal Shower Arm and Flange			◆	◆	◆	◆
Single Spray Touch-Clean® Showerhead			◆	◆	◆	◆
Tub Filler w/Pull-Up Diverter					◆	◆
Chrome Finish	◆		◆		◆	
Brilliance® Stainless Finish		◆		◆		◆

***Available LHP Handle Options**

▲ = Specify Finish



- Available Options for Field Conversion:**
- Screwdriver Stops. Order two RP5876s for I.P.S. or two RP6005s for C.W.T.
 - Shower Arm. Order RP6023▲.
 - Shower Flange.
 - Non-Metallic Push Clean™ showerhead/1 spray pattern. Order RP28599▲.
 - Non-Metallic Dual Spray Touch-Clean® showerhead/2 spray patterns. Order RP28601▲.
 - Non-Metallic Ultimate Touch-Clean® showerhead/3 spray patterns. Order RP28602▲.
 - Brass shower arm diverter for hand shower. Order RP4239 (chrome only).
 - Personal hand shower with 24" vertical bar, 60" hose. Order RP7245 (chrome only).
 - Personal hand shower with 24" vertical bar, 60" hose, vacuum breaker and wall supply elbow. Order RPW1111HDF (chrome only).
 - Personal hand shower with 60" hose, vacuum breaker and wall supply elbow. Order RPW2222HDF (chrome only).
 - Metallic tub filler with pull-down diverter for 1/2" C.W.T. or 1/2" I.P.S. Order RP17454▲.
 - Non-metallic tub filler with pull-down diverter for 1/2" C.W.T. or 1/2" I.P.S. Order RP17453 (chrome only).
 - Non-metallic slip-on tub filler with pull-down diverter for 1/2" C.W.T. Order RP5836 (chrome only).
 - Metallic tub filler with pull-up diverter for 1/2" C.W.T. or 1/2" I.P.S. Order RP7533▲.
 - Non-metallic tub filler with pull-up diverter for 1/2" C.W.T. or 1/2" I.P.S. Order RP5834 (chrome only).
 - Non-metallic slip-on tub filler with pull-up diverter for 1/2" C.W.T. Order RP19820 (chrome only).
 - Metallic over-the-rim tub filler for 1/2" I.P.S. Order RP5833▲.
 - Metallic over-the-rim slip-on tub filler for 1/2" C.W.T. Order RP5835 (chrome only).
 - Bath waste assemblies and bath accessories also available separately.



Indianapolis, Indiana 46280
 A Division of Masco Corporation of Indiana
 © 2004 Masco Corporation of Indiana