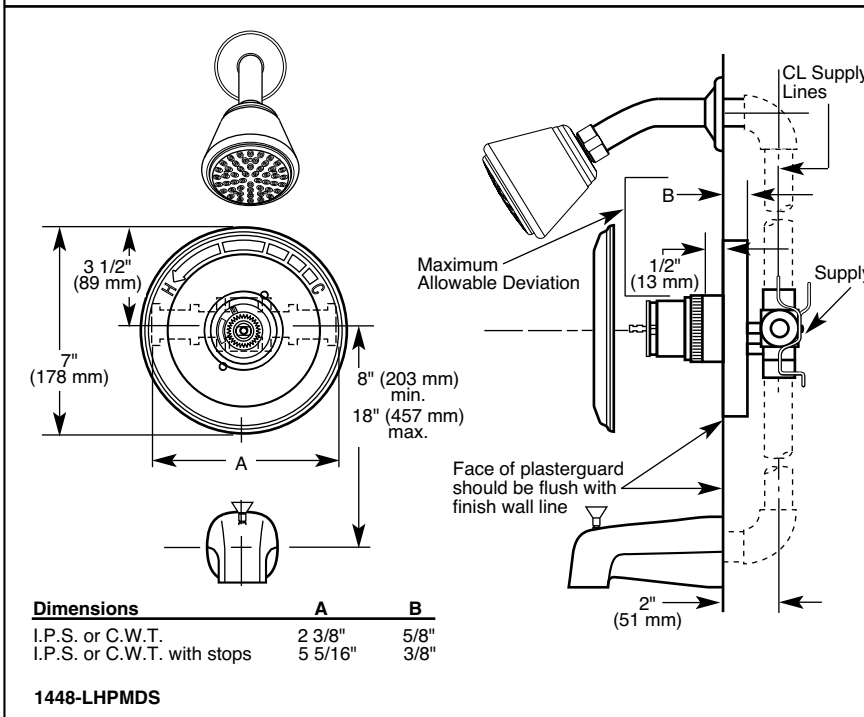
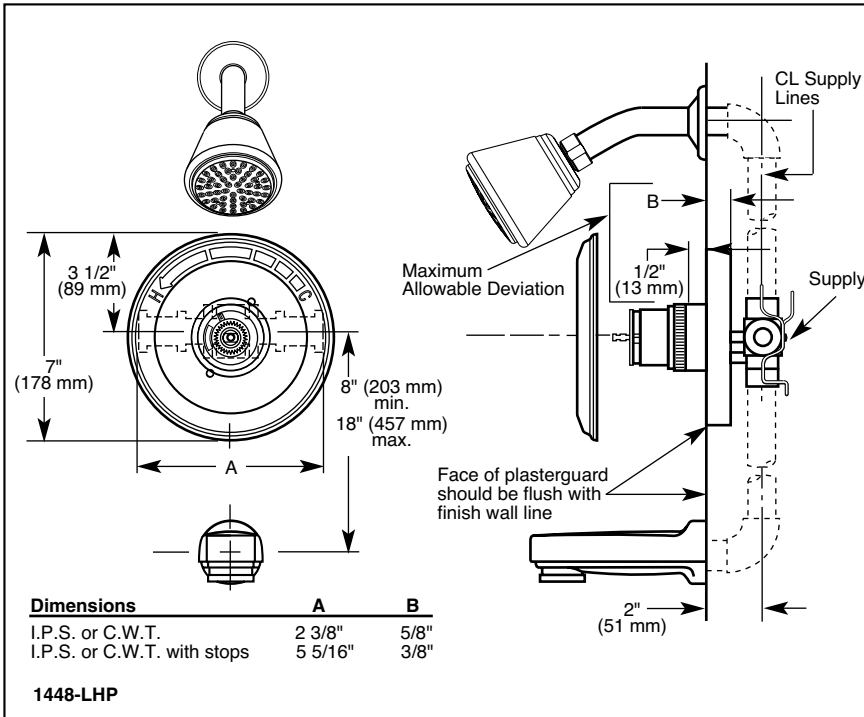


Submitted Model No.: _____

Specific Features: _____



DELTA[®]

BATH MIXING VALVES

- Tub/Shower
- Single Handle
- LHP-Less Handle Program
- Monitor[®] with Scald-Guard[®] Valve
- Pressure Balance
- Temperature Only Controlled with Handle



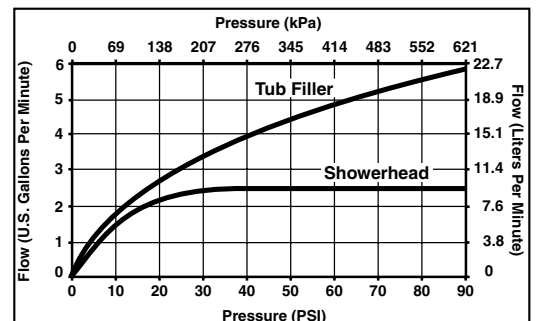
UL Listed to US and Canadian Safety Standards 21PL

COMPLIES WITH:

- ASME A112.18.1M-1996
- ASSE 1016-1996
- CSA B125-93
- Indicates ADA compliance to CABO/ANSI A117.1-1992
- Showerhead GSA A-A-240
- ASSE Seal Authorized
- City of L.A. approved
- CSA Certified
- IAPMO Listed

STANDARD SPECIFICATIONS:

- Pressure balanced single handle bath mixing valve.
- Requires 1 1/2" (38 mm) wall cavity.
- Back-to-back installation capability.
- Solid brass fabricated body.
- LHP-Less Handle Program. See available handle options on back.
- Monitor[®] with Scald-Guard[®] valve. Maintains a balanced pressure of hot and cold water even when a valve is turned on or off elsewhere in the system.
- Temperature only controlled with handle.
- Field adjustable to limit handle rotation into hot water zone.
- 120° maximum handle rotation.
- All parts shall be replaceable from the front of the valve.



Delta reserves the right (1) to make changes in specifications and materials, and (2) to change or discontinue models, both without notice or obligation. Dimensions are for reference only.

Standard Features	Handle Options																		
	1448-ABLHP	1448-CABLHP	1448-CBLHP	1448-CBBLHP	1448-CGBWSLHP	1448-CLHP	1448-CLHPMDS	1448-CPBLHP	1448-CPBLHPMDS	1448-CPBWSLHP	1448-CWHLHP	1448-CWPLHP	1448-CWSLHP	1448-LHP	1448-LHPMDS	1448-PBLHP	1448-PBLHPMDS	1448-WCLHP	1448-WHLHP
Washerless	◆	◆	◆	◆	◆	◆	◆	◆	◆	◆	◆	◆	◆	◆	◆	◆	◆	◆	◆
1/2" I.P.S. Inlets and Outlets	◆													◆	◆	◆	◆	◆	◆
1/2" C.W.T. Sweat Inlets and Outlets		◆	◆	◆	◆	◆	◆	◆	◆	◆	◆	◆	◆						
Less Handle Program- See Handle Kit Options*	◆	◆	◆	◆	◆	◆	◆	◆	◆	◆	◆	◆	◆	◆	◆	◆	◆	◆	◆
Metal Shower Arm and Flange	◆	◆	◆	◆	◆	◆	◆	◆	◆	◆	◆	◆	◆	◆	◆	◆	◆	◆	◆
Non-Metallic Touch-Clean® Showerhead/1 Spray Pattern	◆	◆	◆	◆	◆	◆	◆	◆	◆	◆	◆	◆	◆	◆	◆	◆	◆	◆	◆
Non-Metallic Tub Filler w/Pull-Down Diverter			◆	◆	◆			◆	◆	◆			◆	◆					
Metal Tub Filler w/Pull-Down Diverter	◆	◆									◆	◆						◆	◆
Metal Tub Filler w/Pull-Up Diverter							◆	◆					◆			◆			
Screwdriver Stops					◆				◆				◆						
Antique Brass	◆	◆																	
Chrome Finish						◆	◆						◆	◆					
Chrome and <i>Brilliance</i> ™ Polished Brass Finish			◆	◆	◆														
<i>Brilliance</i> ™ Polished Brass Finish								◆	◆	◆						◆	◆		
White and Chrome Finish																		◆	◆
White Finish											◆								◆
White and <i>Brilliance</i> ™ Polished Brass Finish												◆							◆

RP5836
RP17453
RP17454▲
RP19581PB

RP5834
RP7533▲

RP19820

RP5833▲
RP5835

- Available Options for Field Conversion:** ▲=Specify Finish
- Screwdriver Stops. Order two RP5876s for I.P.S. or two RP6005s for C.W.T.
 - Shower Arm. Order RP6023▲.
 - Shower Flange. Order RP6025▲.
 - Non-Metallic Push Clean™ showerhead/1 spray pattern. Order RP28599▲.
 - Non-Metallic Dual Spray Touch-Clean® showerhead/2 spray patterns. Order RP28601▲.
 - Non-Metallic Ultimate Touch-Clean® showerhead/3 spray patterns. Order 28602▲.
 - Brass shower arm diverter for hand shower. Order RP4239 (chrome only).
 - Personal hand shower with 24" vertical bar, 60" hose. Order RP7245 (chrome only).
 - Personal hand shower with 24" vertical bar, 60" hose, vacuum breaker and wall supply elbow. Order RPW1111HDF (chrome only).
 - Personal hand shower with 60" hose, vacuum breaker and wall supply elbow. Order RPW2222HDF (chrome only).
 - Metallic tub filler with pull-down diverter for 1/2" C.W.T. or 1/2" I.P.S. Order RP17454▲.
 - Non-metallic tub filler with pull-down diverter for 1/2" C.W.T. or 1/2" I.P.S. Order RP17453 (chrome only).
 - Non-metallic slip-on tub filler with pull-down diverter for 1/2" C.W.T. Order RP5836 (chrome only).
 - Metallic slip-on tub filler with pull-down diverter for 1/2" C.W.T. Order RP19581PB (*Brilliance*™ polished brass only).
 - Metallic tub filler with pull-up diverter for 1/2" C.W.T. or 1/2" I.P.S. Order RP7533▲.
 - Non-metallic tub filler with pull-up diverter for 1/2" C.W.T. or 1/2" I.P.S. Order RP5834 (chrome only).
 - Non-metallic slip-on tub filler with pull-up diverter for 1/2" C.W.T. Order RP19820 (chrome only).
 - Metallic over-the-rim tub filler for 1/2" I.P.S. Order RP5833▲.
 - Metallic over-the-rim slip-on tub filler for 1/2" C.W.T. Order RP5835 (chrome only).
 - Bath waste assemblies and bath accessories also available separately.

***Available LHP Handle Options**

H71▲ 1 1/2" (38 mm)	H72▲ A72 2 3/8" (60 mm)	H73▲ A73 1 1/8" (29 mm)	H74▲ A74 3 1/4" (83 mm)
H75▲ 2 1/2" (64 mm)	H77▲ 1 5/8" (41 mm)	H78 2 1/4" (57 mm)	H79▲ 3 3/8" (86 mm)

RP28599▲
Push-Clean™ Showerhead

RP28600▲
Touch-Clean® Showerhead

RP28601▲
Dual Spray Touch-Clean® Showerhead

RP28602▲
Ultimate Touch-Clean® Showerhead

Full Spray Massage Spray Soft Aerated Spray

***Available LHP Handle Accent Options**

A72CL	A74, A74AL, A74PB, A74WH
A72, A72AL, A72PB, A72PR, A72WH	A73, A73PB, A73WH
A72OK	A73ST
A74CL	



Indianapolis, Indiana 46280
A Division of Masco Corporation of Indiana
© 2001 Masco Corporation of Indiana