

1728  
With  
Optional  
Trim Plate  
RP40588



1728  
With  
Optional  
Trim Plate  
RP40589



1768  
With  
Optional  
Trim Plate  
RP40588

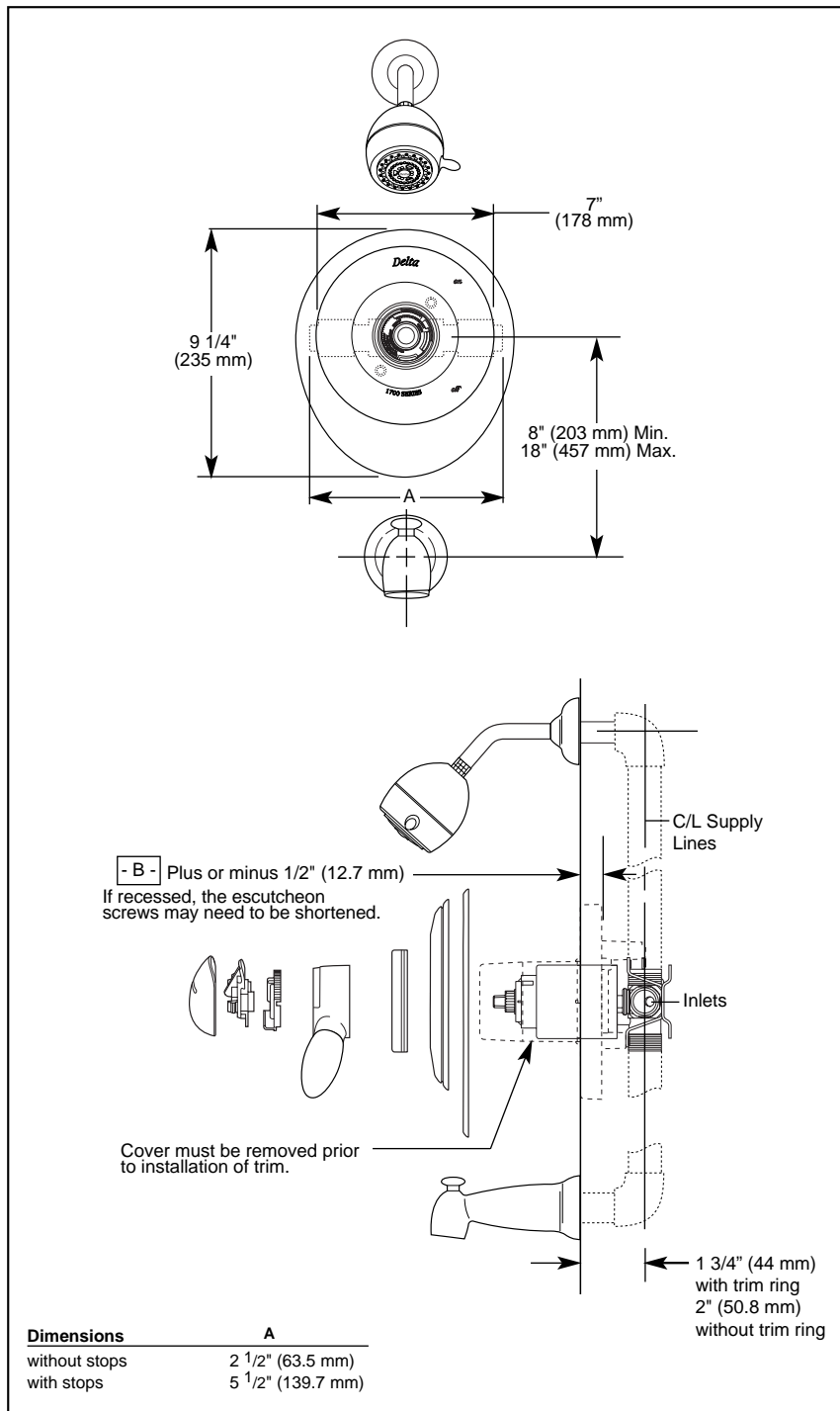


1768  
With  
Optional  
Trim Plate  
RP40589



Submitted Model No.: \_\_\_\_\_

Specific Features: \_\_\_\_\_



Dimensions	A
without stops	2 1/2" (63.5 mm)
with stops	5 1/2" (139.7 mm)

# DELTA<sup>®</sup>

## BATH MIXING VALVES

- The Michael Graves Collection™
- Shower Only (1728)
- Tub/Shower (1768)
- Single Handle
- Monitor® with Scald-Guard® Valve
- Pressure Balance
- Volume Controlled with Handle Accent
- Temperature Controlled with Dial
- Decor Trim Plate
- Universal Fittings

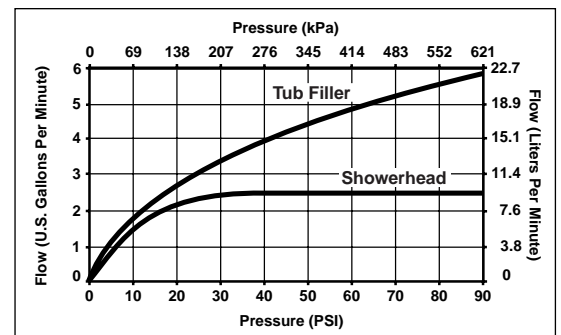


### COMPLIES WITH:

- ASME A112.18.1
- ASSE 1016
- CSA B125
- Indicates ADA compliance to ICC/ANSI A117.1
- ASSE Seal Authorized
- CSA Certified
- IAPMO Listed

### STANDARD SPECIFICATIONS:

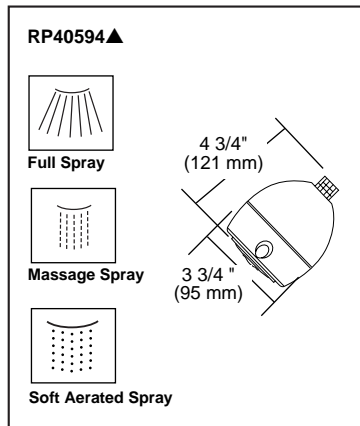
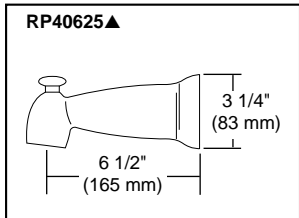
- Requires 1 1/2" (38 mm) minimum wall cavity.
- Back-to-back installation capability.
- Solid brass body.
- Monitor® with Scald-Guard® valve. Maintains a balanced pressure of hot and cold water even when a valve is turned on or off elsewhere in the system.
- Lever volume control handle; temperature adjustment dial.
- Field adjustable to limit dial rotation into hot water zone.
- Maximum dial rotation adjustable between 90° and 180°.



Standard Features	1728	1728-MC	1728-SS	1768	1768-MC	1768-SS
Washerless	◆	◆	◆	◆	◆	◆
Scald-Guard® Valve	◆	◆	◆	◆	◆	◆
Back-to-Back Installation	◆	◆	◆	◆	◆	◆
1/2" I.P.S. Inlets and Outlets	◆	◆	◆	◆	◆	◆
1/2" C.W.T. Sweat Inlets and Outlets	◆	◆	◆	◆	◆	◆
Replaceable Cartridge	◆	◆	◆	◆	◆	◆
Adjustment Rotational Limit Stop	◆	◆	◆	◆	◆	◆
Matching Finish Temperature Adjustment Dial	◆	◆	◆	◆	◆	◆
Metal Shower Arm and Flange	◆	◆	◆	◆	◆	◆
Non-Metallic Touch-Clean® Showerhead/3 Spray Patterns	◆	◆	◆	◆	◆	◆
Tub Filler w/Pull-Up Diverter				◆	◆	◆
Chrome Finish	◆			◆		
Matte Chrome Finish		◆			◆	
Brilliance® Stainless Steel Finish			◆			◆

- Available Options for Field Conversion:**
- Trim Plate, Oval. Order RP40588▲.
  - Trim Plate, Star. Order RP40589▲.
  - Screwdriver Stops. Order two RP5876s for IPS or two RP6005s for C.W.T.
  - Shower Arm. Order RP40593▲.
  - Shower Flange. Order RP40592▲.
  - Non-metallic Push-Clean™ showerhead/1 spray pattern. Order RP28599▲.
  - Non-metallic Touch-Clean® showerhead/1 spray pattern. Order RP28600▲.
  - Non-metallic Dual Spray Touch-Clean® showerhead/2 spray patterns. Order RP28601▲.
  - Non-metallic Ultimate Touch-Clean® showerhead/3 spray patterns. Order RP28602▲.
  - Brass shower arm diverter for hand shower. Order RP4239 (chrome only).
  - Personal hand shower with 24" vertical bar, 60" hose. Order RP7245 (chrome only).
  - Personal hand shower with 24" vertical bar, 60" hose, vacuum breaker and wall supply elbow. Order RPW324HDF (chrome only).
  - Bath waste assemblies and bath accessories also available separately.

▲ = Specify Finish



Indianapolis, Indiana 46280  
 A Division of Masco Corporation of Indiana  
 © 2003 Masco Corporation of Indiana