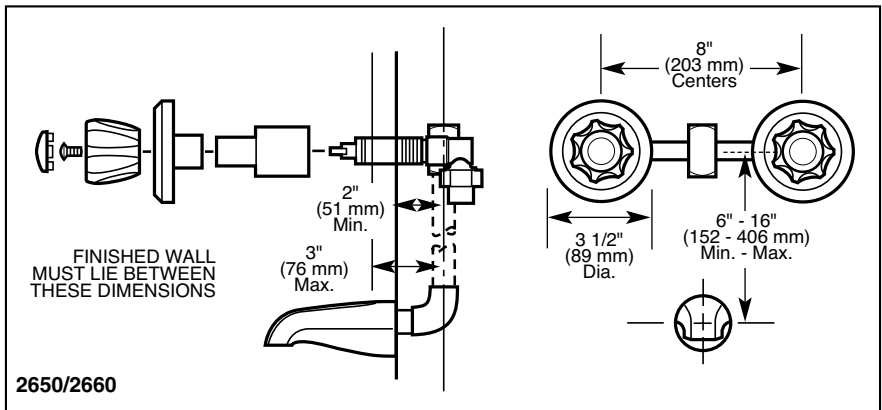
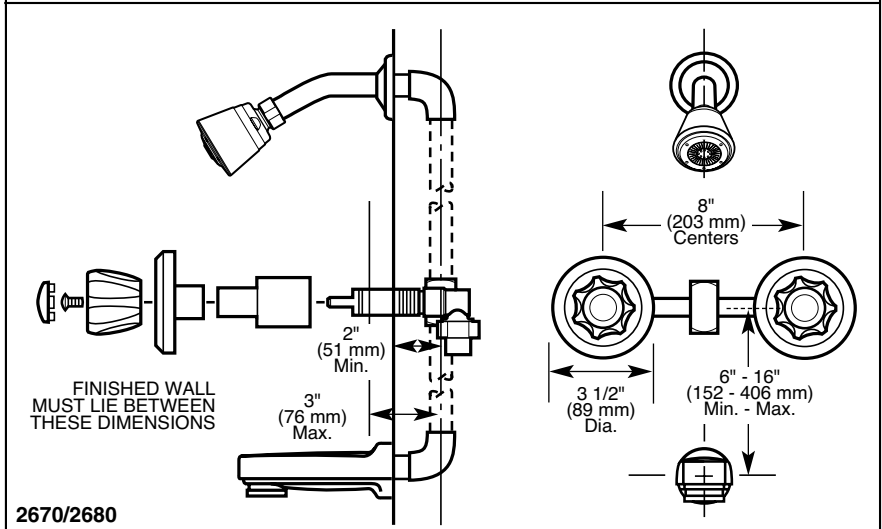


Submitted Model No.: \_\_\_\_\_

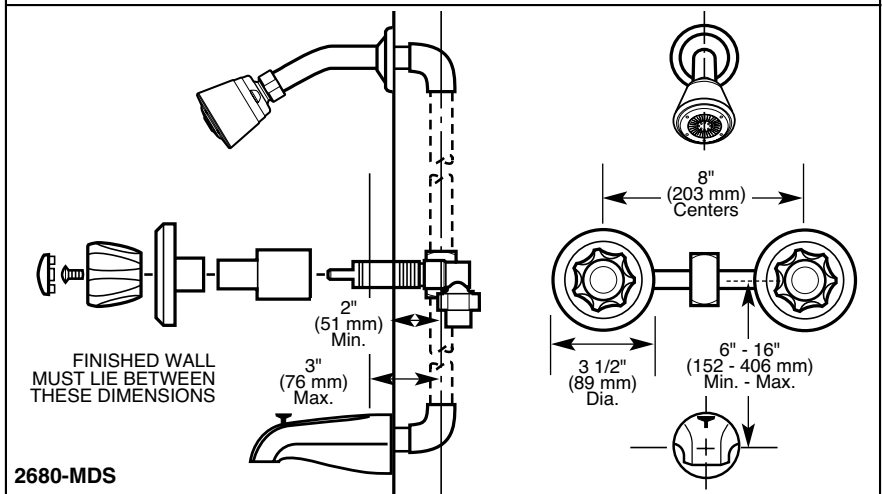
Specific Features: \_\_\_\_\_



2650/2660



2670/2680



2680-MDS

# DELTA

## BATH VALVES

- Valve Only (2650 Series)
- Tub Only (2660 Series)
- Shower Only (2670 Series)
- Tub/Shower (2680 Series)
- Two Handle
- 8" (203mm) Rigid Valve
- Temperature and Volume Controlled with Handles



**LISTED**  
UL Listed to US and Canadian  
Safety Standards  
21EL

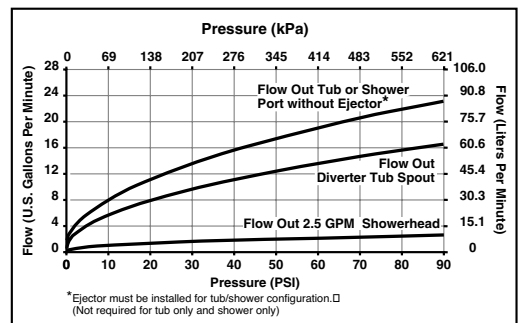


### COMPLIES WITH:

- ASME A112.18.1M-1996
- CSA B125-93
- Showerhead GSA A-A-240
- CSA Certified
- IAPMO Listed

### STANDARD SPECIFICATIONS:

- Two handle valve type with rigid one-piece brass body.
- 8" (203 mm) rigid valve.
- Requires 2" (51 mm) wall cavity.
- Can be installed with floor or ceiling supplies.
- Clear knob handles with red/blue indicators.
- Screw-on escutcheons.
- Control mechanism shall be of the rotating cylinder type with stainless steel plate and 180° rotation, with replaceable non-metallic seats operating in stainless steel lined sockets.
- Hot and cold stems are interchangeable.
- Temperature and volume controlled with handles.
- All operating parts shall be replaceable from the front.
- Models **with** suffix "C" supplied with 1/2" C.W.T. sweat inlets and 1/2" iron pipe outlets.
- Models **without** suffix "C" inlets are supplied with universal fittings to accept 1/2" copper or iron pipe and 1/2" iron pipe outlets.

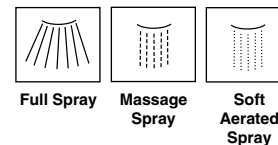
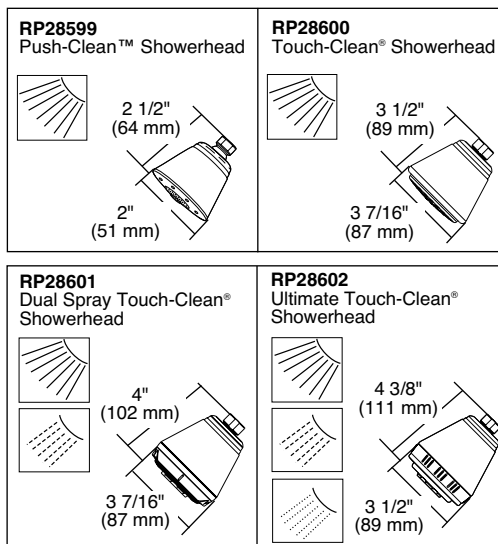
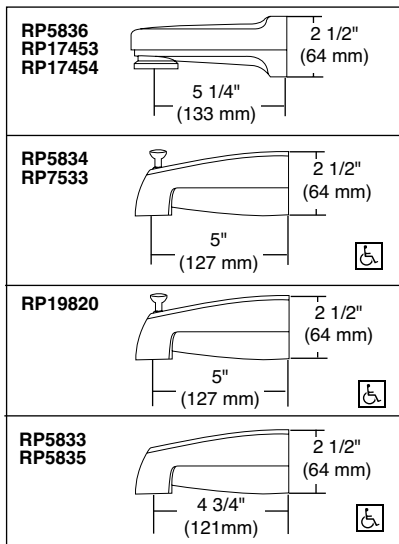


Delta reserves the right (1) to make changes in specifications and materials, and (2) to change or discontinue models, both without notice or obligation. Dimensions are for reference only.

Special Features	2650	2650-C	2660	2660-C	2670	2670-C	2680	2680-C	2680-CSOS	2680-CWS	2680-MDS
Washerless	◆	◆	◆	◆	◆	◆	◆	◆	◆	◆	◆
Can be installed with Floor or Ceiling Supplies	◆	◆	◆	◆	◆	◆	◆	◆	◆	◆	◆
1/2" C.W.T. Sweat Inlets and 1/2" Iron Pipe Outlets		◆		◆		◆		◆	◆	◆	
Inlet Universal Fittings—Accepts 1/2" Copper or Iron Pipe and 1/2" Iron Pipe Outlets	◆		◆		◆		◆				◆
Replaceable Stems	◆	◆	◆	◆	◆	◆	◆	◆	◆	◆	◆
Clear Knob Handles with Red/Blue Indicators (H21)	◆	◆	◆	◆	◆	◆	◆	◆	◆	◆	◆
Screw-On Escutcheons	◆	◆	◆	◆	◆	◆	◆	◆	◆	◆	◆
Metal Over-the-Rim Tub Filler (RP5833)			◆	◆							
Metal Shower Arm and Flange					◆	◆	◆	◆	◆	◆	◆
Non-Metallic Push-Clean™ Showerhead/1 Spray Pattern (RP28599)					◆	◆	◆	◆	◆	◆	◆
Non-Metallic Tub Filler with Pull-Down Diverter (RP17453)					◆	◆	◆			◆	
Non-Metallic Slip-On Tub Filler with Pull-Down Diverter (RP5836)								◆			
Metallic Tub Filler with Pull-Up Diverter (RP7533)											◆
Screwdriver Stops										◆	
Chrome Finish	◆	◆	◆	◆	◆	◆	◆	◆	◆	◆	◆

- Available Options for Field Conversion:**
- NOTE—Screwdriver Stops are included on valves with “WS” suffix. Stops cannot be added in field on these models.
  - Shower Arm. Order RP6023.
  - Shower Flange. Order RP6025.
  - Non-metallic Touch-Clean® showerhead/1 spray pattern. Order RP28600.
  - Non-metallic Dual Spray Touch-Clean® showerhead/2 spray patterns. Order RP28601.
  - Non-metallic Ultimate Touch-Clean® showerhead/3 spray patterns. Order RP28602.
  - Brass shower arm diverter for hand shower. Order RP4239.
  - Personal hand shower with 24" (610 mm) vertical bar, 60" (1524 mm) hose. Order RPW1111HDF.
  - Personal hand shower with 24" (610 mm) vertical bar, 60" (1524 mm) hose, vacuum breaker and wall supply elbow. Order RPW2222HDF.
  - Metallic tub filler with pull-down diverter for 1/2" C.W.T. or 1/2" I.P.S. Order RP17454.
  - Non-metallic tub filler with pull-down diverter for 1/2" C.W.T. or 1/2" I.P.S. Order RP17453.
  - Non-metallic slip-on tub filler with pull-down diverter for 1/2" C.W.T. Order RP5836.
  - Metallic tub filler with pull-up diverter for 1/2" C.W.T. or 1/2" I.P.S. Order RP7533.
  - Non-metallic tub filler with pull-up diverter for 1/2" C.W.T. or 1/2" I.P.S. Order RP5834.
  - Non-metallic slip-on tub filler with pull-up diverter for 1/2" C.W.T. Order RP19820.
  - Metallic over-the-rim tub filler for 1/2" I.P.S. Order RP5833.
  - Metallic over-the-rim slip-on tub filler for 1/2" C.W.T. Order RP5835.
  - Bath waste assemblies and bath accessories also available separately.

- Installation Aids:**
- Thin wall mounting spacer kit—mounts valve directly to wall—accommodates 1/8" (3 mm) to 1 1/8" (29 mm) thick wall. Order RP18187.
  - Extension kit—extends rough-in depth by 1" (25 mm). Order RP19156.



**DELTA**  
FAUCET COMPANY

Indianapolis, Indiana 46280  
A Division of Masco Corporation of Indiana  
© 2001 Masco Corporation of Indiana