

Submitted Model No.: _____
 Specific Features: _____

DELTA[®]

BATH VALVES

- Tub Only (2861 Series)
- Shower Only (2871 Series)
- Tub/Shower (2881 Series)
- Two Handle
- 8" (203mm) Rigid Valve
- Temperature and Volume Controlled with Handles

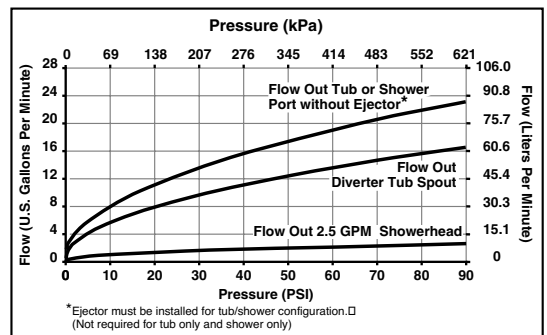
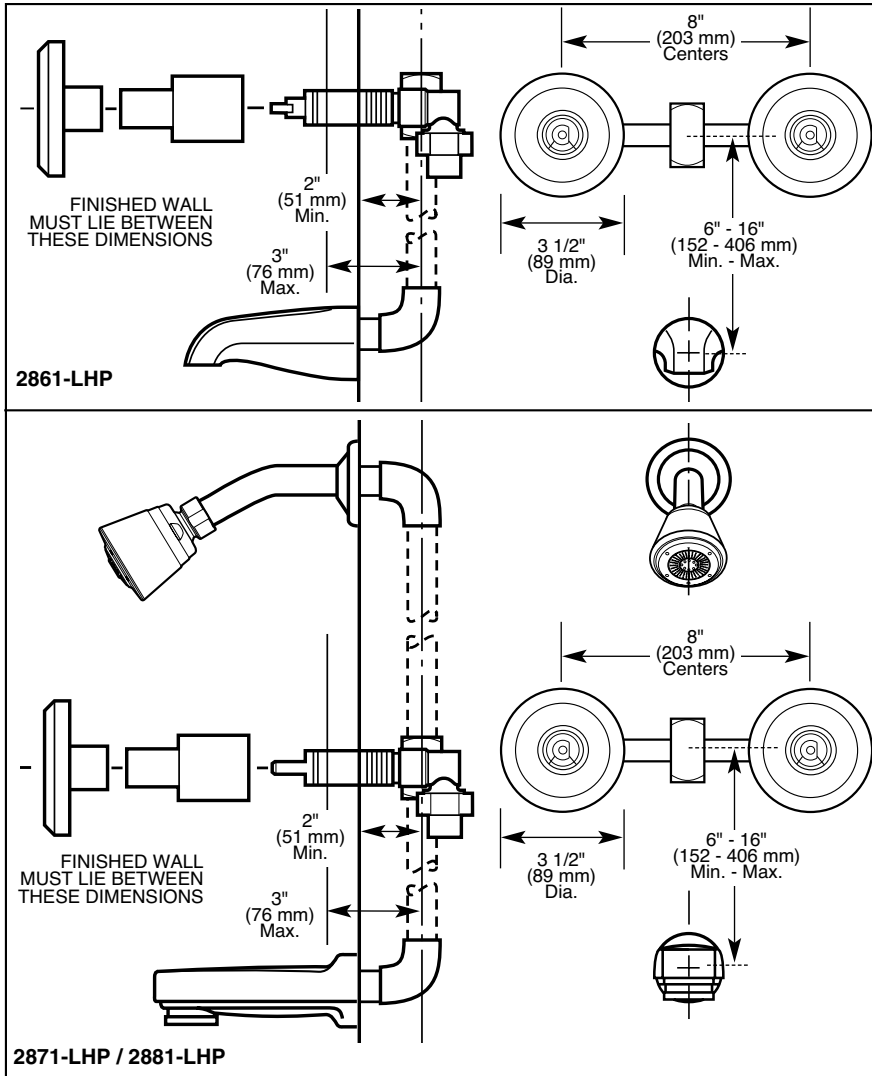


COMPLIES WITH:

- ASME A112.18.1M-1996
- CSA B125-93
- Indicates ADA compliance to CABO/ANSI A117.1-1992
- Showerhead GSA A-A-240
- CSA Certified
- IAPMO Listed

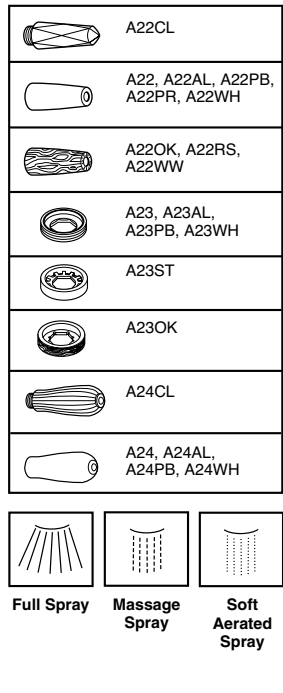
STANDARD SPECIFICATIONS:

- Two handle valve type with rigid one-piece solid fabricated brass body.
- 8" (203 mm) rigid valve.
- Requires 2" (51 mm) wall cavity.
- Can be installed with floor or ceiling supplies.
- LHP – Less Handle Program. See available handle options on back.
- Screw-on escutcheons.
- Control mechanism shall be of the rotating cylinder type with stainless steel plate and 180° rotation, with replaceable non-metallic seats operating in stainless steel lined sockets.
- Hot and cold stems are interchangeable.
- Temperature and volume controlled with handles.
- All operating parts shall be replaceable from the front.
- Models **with** suffix "C" supplied with 1/2" C.W.T. sweat inlets and 1/2" iron pipe outlets.
- Models **without** suffix "C" inlets are supplied with universal fittings to accept 1/2" copper or iron pipe and 1/2" iron pipe outlets.



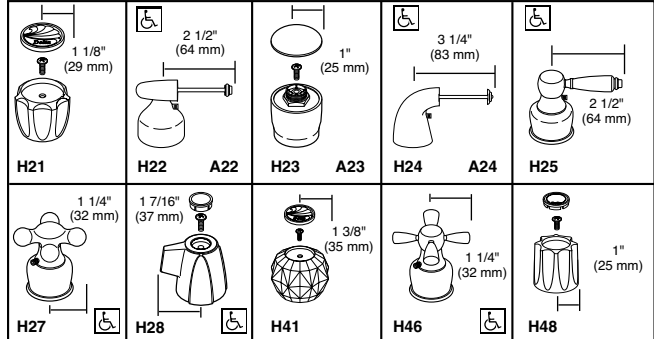
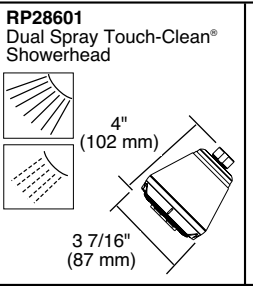
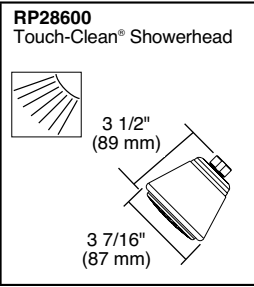
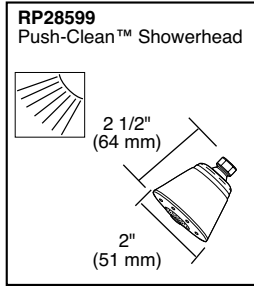
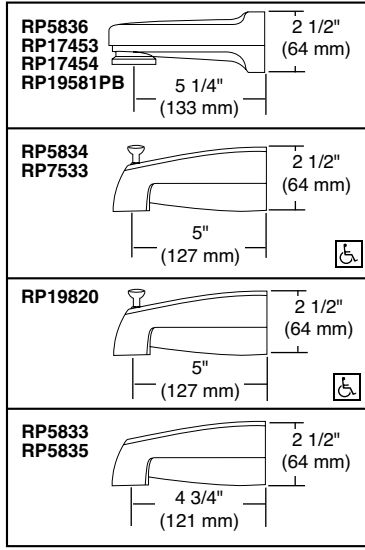
Delta reserves the right (1) to make changes in specifications and materials, and (2) to change or discontinue models, both without notice or obligation. Dimensions are for reference only.

Standard Features	Model Options														
	2861-CLHP	2861-LHP	2861-PBLHP	2871-CBLHP	2871-CLHP	2871-LHP	2871-PBLHP	2871-WHLHP	2881-CBLHP	2881-CLHP	2881-LHP	2881-LHPMDS	2881-PBLHP	2881-WHLHP	2881-WPLHP
Washerless	◆	◆	◆	◆	◆	◆	◆	◆	◆	◆	◆	◆	◆	◆	◆
Can be Installed with Floor or Ceiling Supplies	◆	◆	◆	◆	◆	◆	◆	◆	◆	◆	◆	◆	◆	◆	◆
1/2" C.W.T. Sweat Inlets and 1/2" Iron Pipe Outlets	◆				◆					◆					
Inlet Universal Fittings—Accepts 1/2" Copper or Iron Pipe and 1/2" Iron Pipe Outlets															
Replaceable Stems	◆	◆	◆	◆	◆	◆	◆	◆	◆	◆	◆	◆	◆	◆	◆
Less Handle Program—See Handle Kit Option*	◆	◆	◆	◆	◆	◆	◆	◆	◆	◆	◆	◆	◆	◆	◆
Decorative Screw-On Escutcheons	◆	◆	◆	◆	◆	◆	◆	◆	◆	◆	◆	◆	◆	◆	◆
Metal Over-the-Rim Tub Filler (RP5833)	◆	◆	◆												
Metal Shower Arm and Flange				◆	◆	◆	◆	◆	◆	◆	◆	◆	◆	◆	◆
Non-Metallic Push-Clean™ Showerhead/1 Spray Pattern (RP28599)				◆	◆	◆	◆	◆	◆	◆	◆	◆	◆	◆	◆
Non-Metallic Tub Filler with Pull-Down Diverter (RP17453)									◆	◆	◆		◆	◆	◆
Metallic Tub Filler with Pull-Up Diverter (RP7533)												◆			
Chrome Finish	◆	◆			◆	◆			◆	◆	◆				
Chrome and <i>Brilliance</i> ™ Polished Brass Finish			◆					◆					◆		
<i>Brilliance</i> ™ Polished Brass Finish				◆									◆		
White Finish								◆						◆	
White and <i>Brilliance</i> ™ Polished Brass Finish															◆



- Available Options for Field Conversion:**
- NOTE—Screwdriver Stops are included on valves with “WS” suffix. Stops cannot be added in field on these models.
 - Shower Arm. Order RP6023▲.
 - Shower Flange. Order RP6025▲.
 - Non-metallic Touch-Clean® showerhead/1 spray pattern. Order RP28600▲.
 - Non-metallic Dual Spray Touch-Clean® showerhead/2 spray patterns. Order RP28601▲.
 - Non-metallic Ultimate Touch-Clean® showerhead/3 spray patterns. Order RP28602▲.
 - Brass shower arm diverter for hand shower. Order RP4239 (chrome only).
 - Personal hand shower with 24" (610 mm) vertical bar, 60" (1524 mm) hose. Order RPW1111HDF (chrome only).
 - Personal hand shower with 24" (610 mm) vertical bar, 60" (1524 mm) hose, vacuum breaker and wall supply elbow. Order RPW2222HDF (chrome only).
 - Metallic tub filler with pull-down diverter for 1/2" C.W.T. or 1/2" I.P.S. Order RP17454▲.
 - Non-metallic tub filler with pull-down diverter for 1/2" C.W.T. or 1/2" I.P.S. Order RP17453 (chrome only).
 - Non-metallic slip-on tub filler with pull-down diverter for 1/2" C.W.T. Order RP5836 (chrome) or RP19581PB (*Brilliance*™ polished brass).
 - Metallic tub filler with pull-up diverter for 1/2" C.W.T. or 1/2" I.P.S. Order RP7533▲.
 - Non-metallic tub filler with pull-up diverter for 1/2" C.W.T. or 1/2" I.P.S. Order RP5834 (chrome only).
 - Non-metallic slip-on tub filler with pull-up diverter for 1/2" C.W.T. Order RP19820 (chrome only).
 - Metallic over-the-rim tub filler for 1/2" I.P.S. Order RP5833▲.
 - Metallic over-the-rim slip-on tub filler for 1/2" C.W.T. Order RP5835 (chrome only).
 - Bath waste assemblies and bath accessories also available separately.

- Installation Aids:**
- Thin wall mounting spacer kit—mounts valve directly to wall—accommodates 1/8" (3 mm) to 1 1/8" (29 mm) thick wall. Order RP18187 or RP18724 (bulk).
 - Extension kit—extends rough-in depth by 1" (25 mm). Order RP19156▲.



***Available LHP Handle and Handle Accent Options.**

Indianapolis, Indiana 46280
A Division of Masco Corporation of Indiana
© 2001 Masco Corporation of Indiana

▲ Designate proper finish suffix.