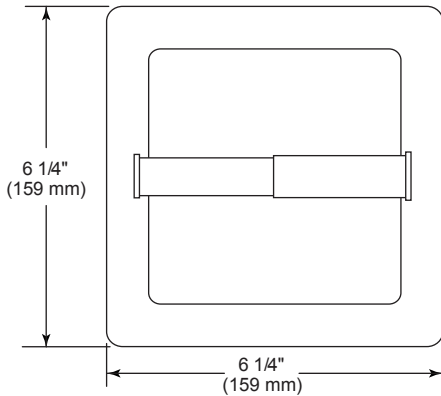
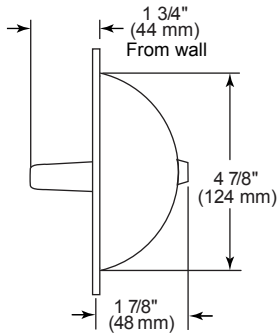




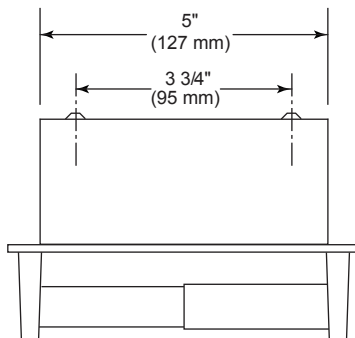
45070-ST▲

Submitted Model No.: _____

Specific Features: _____



Mounting Specification



▲ Designate proper finish suffix

Delta reserves the right (1) to make changes in specifications and materials, and (2) to change or discontinue models, both without notice or obligation. Dimensions are for reference only. See full-line price book or www.specselect.com for finish options and product availability.



ACCESSORIES

■ **Recessed Paper Holder**

STANDARD SPECIFICATIONS

- Die casts are highly polished and plated .
- If wood block available install recessed shelf into opening using 2- #8 x 1-1/4" flat head nickel or brass plated steel screws provided. If wood blocking is not available use optional RP71072 recess.
- Spring actuated plastic roller.
- Mounting hardware included with product.

WARRANTY

- Lifetime Faucet and Finish Limited Warranty to the Original consumer purchaser to be free from defects in material and workmanship.
- 5 Year Limited Warranty for usage in all Industrial, Commercial and business applications.



Liberty Hardware Manufacturing Corporation
 140 Business Park Drive
 Winston-Salem, NC 27107
 800.542.3789
www.libertyhardware.com
 ©2012 LHMC, A MascoCompany