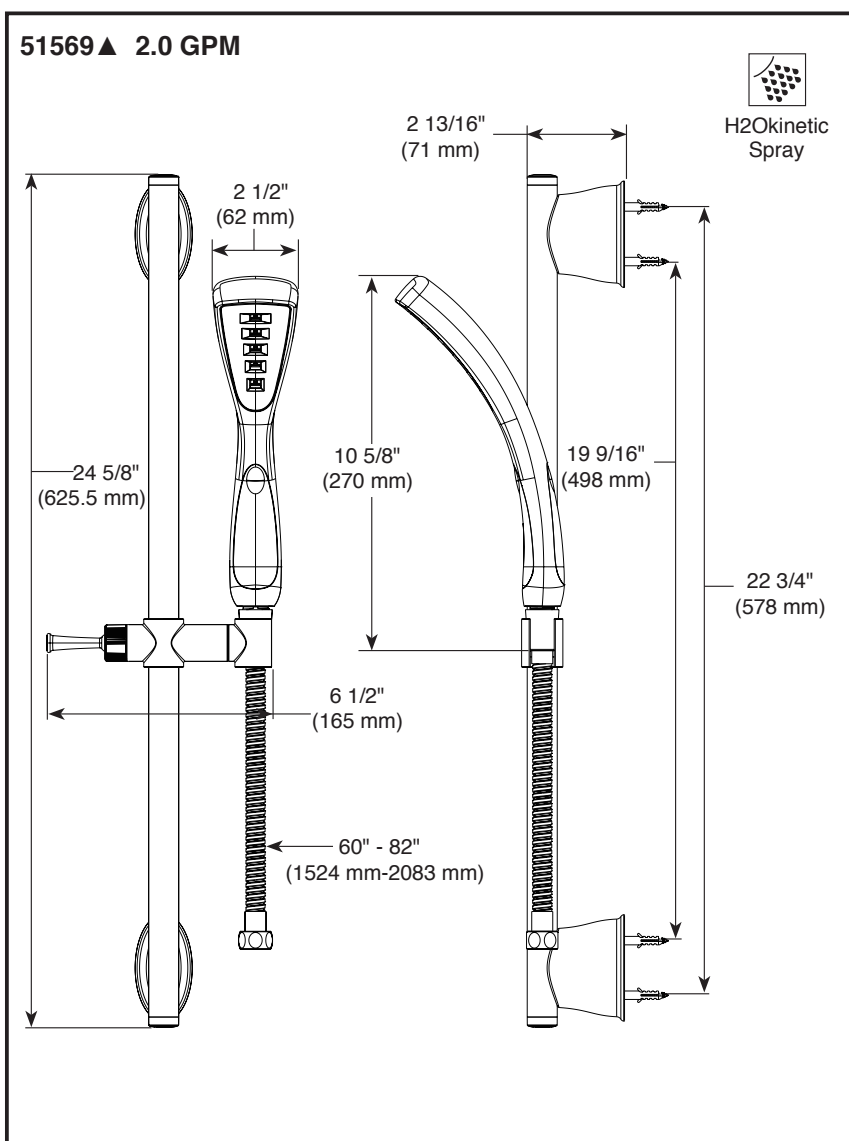


# Slide Bar Hand Shower

- H<sub>2</sub>Okinetic® Technology Handshower
- Single Spray Setting Handshower

Submitted Model No.: \_\_\_\_\_

Specific Features: \_\_\_\_\_



### STANDARD SPECIFICATIONS:

- Maximum flow rate 2.0 gpm @ 80 PSI, 7.6L/min @ 552kPa.
- Certified dual neoperl check valves for backflow protection.
- Hand held shower with single spray setting – not a positive shut-off.
- Soft Touch non-slip grip.
- 60-82" stretchable metal hose.
- Wall bar bracket for hands-free showering.
- Wall bar w/adjustable slide (allows for adjustable shower height). Not to be used as a grab bar.

### WARRANTY

- Lifetime limited warranty on parts (other than electronic parts and batteries) and finishes; or, for commercial users, for 5 years from the date of purchase.
- 5 year limited warranty on electronic parts (other than batteries); or for commercial users, for 1 year from the date of purchase. No warranty is provided on batteries.



### COMPLIES WITH

- ASME A112.18.1 / CSA B125.1
- EPA WaterSense®

### ▲ Designate proper finish suffix

Delta reserves the right (1) to make changes in specifications and materials, and (2) to change or discontinue models, both without notice or obligation. Dimensions are for reference only. See current full-line price book or [www.deltafaucet.com](http://www.deltafaucet.com) for finish options and product availability.

