

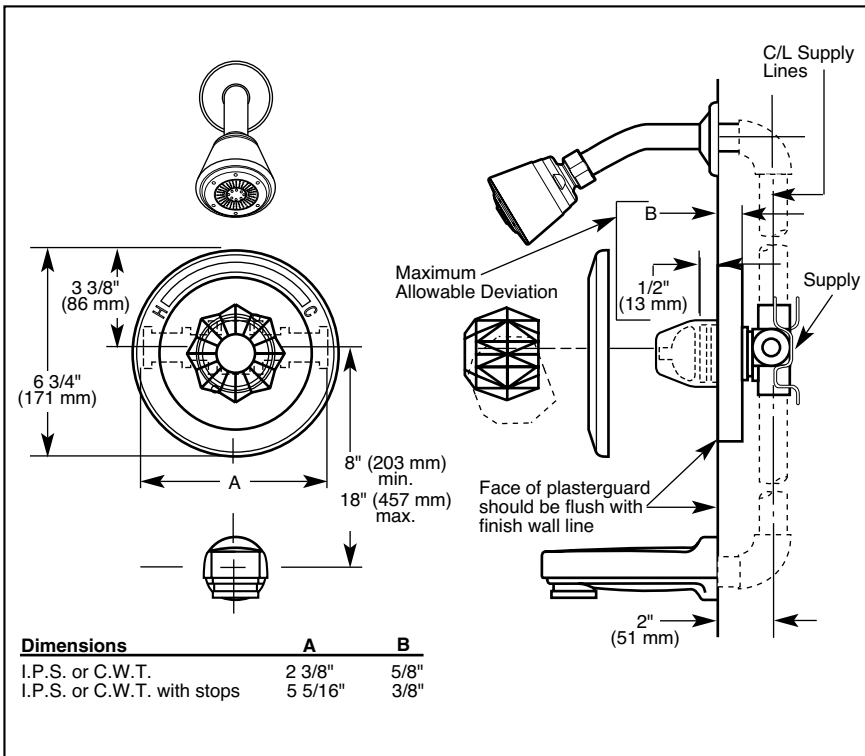
DELTA

CONVENTIONAL BATH VALVES

- Valve Only (602 Series)
- Tub Only (612 Series)
- Shower Only (622 Series)
- Tub/Shower (642 Series)
- Single Handle
- Conventional
- Non-Pressure Balance
- Temperature and Volume Controlled with Handle

Submitted Model No.: _____

Specific Features: _____



LISTED
UL Listed to US and Canadian
Safety Standards
21PL

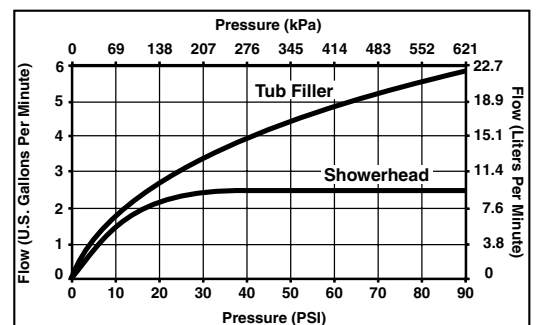


COMPLIES WITH:

- ASME A112.18.1M-1996
- CSA B125-93
- ♿ Indicates ADA compliance to CABO/ANSI A117.1-1992
- Showerhead GSA A-A-240
- CSA Certified
- IAPMO Listed
- City of L.A. approved (622 and 642 series)

STANDARD SPECIFICATIONS:

- Single handle concealed type bath valve.
- Solid brass fabricated body.
- Requires 2" (51 mm) wall cavity.
- Clear knob handle.
- Temperature and volume controlled with handle.
- Control mechanism shall be of the rotating ball type with replaceable non-metallic seats operating in stainless steel lined sockets.
- All parts shall be replaceable from the front of the valve.

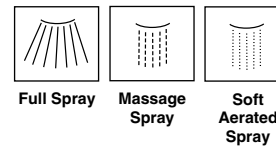
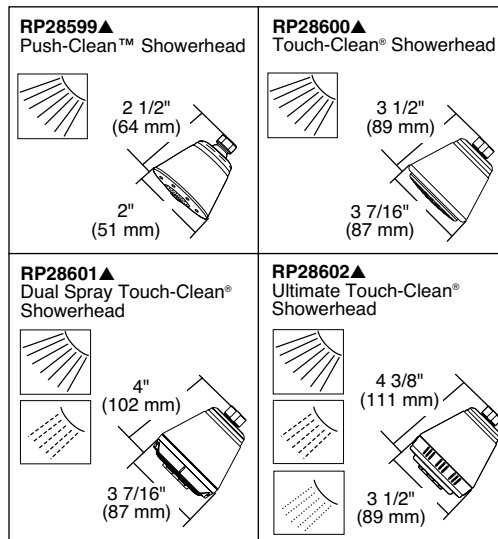
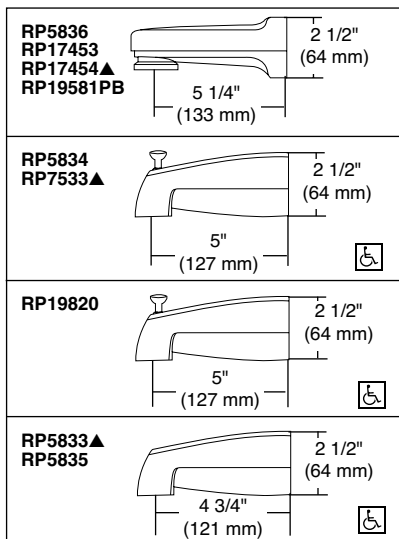


| Standard Features | 602 | 602-C | 612 | 612-C | 622 | 622-C | 622-WS | 622-PB | 622-CPB | 622-WH | 642 | 642-C | 642-CSOS | 642-WS | 642-PB | 642-CPB | 642-WH |
|--|-----|-------|-----|-------|-----|-------|--------|--------|---------|--------|-----|-------|----------|--------|--------|---------|--------|
| Washerless | ◆ | ◆ | ◆ | ◆ | ◆ | ◆ | ◆ | ◆ | ◆ | ◆ | ◆ | ◆ | ◆ | ◆ | ◆ | ◆ | ◆ |
| 1/2" I.P.S. Inlets and Outlets | ◆ | | ◆ | | ◆ | | ◆ | | ◆ | ◆ | | | | ◆ | ◆ | | ◆ |
| 1/2" C.W.T. Sweat Inlets and Outlets | | ◆ | | ◆ | | ◆ | | | ◆ | | | ◆ | ◆ | | | ◆ | |
| Clear Knob Handle | ◆ | ◆ | ◆ | ◆ | ◆ | ◆ | ◆ | ◆ | ◆ | ◆ | ◆ | ◆ | ◆ | ◆ | ◆ | ◆ | ◆ |
| Metal Shower Arm and Flange | | | | | ◆ | ◆ | ◆ | ◆ | ◆ | ◆ | ◆ | ◆ | ◆ | ◆ | ◆ | ◆ | ◆ |
| Non-Metallic Push-Clean™ Showerhead/1 Spray Pattern | | | | | ◆ | ◆ | ◆ | ◆ | ◆ | ◆ | ◆ | ◆ | ◆ | ◆ | ◆ | ◆ | ◆ |
| Metal Over-the-Rim Tub Filler | | | ◆ | ◆ | | | | | | | | | | | | | |
| Non-Metallic Tub Filler w/Pull-Down Diverter | | | | | | | | | | | ◆ | ◆ | | ◆ | ◆ | ◆ | |
| Metal Tub Filler w/Pull-Down Diverter | | | | | | | | | | | | | | | | | ◆ |
| Non-Metallic Slip-On Tub Filler w/Pull Down Diverter | | | | | | | | | | | | | ◆ | | | | |
| Screwdriver Stops | | | | | | | ◆ | | | | | | | | ◆ | | |
| Chrome Finish | ◆ | ◆ | ◆ | ◆ | ◆ | ◆ | ◆ | | | | ◆ | ◆ | ◆ | ◆ | | | |
| Brilliance™ Polished Brass Finish | | | | | | | | ◆ | ◆ | | | | | | ◆ | ◆ | |
| White Finish | | | | | | | | | | ◆ | | | | | | | ◆ |

Available Options for Field Conversion:

- Screwdriver Stops. Order two RP5876s for I.P.S. or two RP6005s for C.W.T.
- Shower Arm. Order RP6023▲.
- Shower Flange. Order RP6025▲.
- Non-metallic Touch-Clean® showerhead/1 spray pattern. Order RP28600▲.
- Non-metallic Dual Spray Touch-Clean® showerhead/2 spray patterns. Order RP28601▲.
- Non-metallic Ultimate Touch-Clean® showerhead/3 spray patterns. Order RP28602▲.
- Brass shower arm diverter for hand shower. Order RP4239 (chrome only).
- Personal hand shower with 24" vertical bar, 60" hose. Order RP7245 (chrome only).
- Personal hand shower with 24" vertical bar, 60" hose, vacuum breaker and wall supply elbow. Order RPW1111HDF (chrome only).
- Personal hand shower with 60" hose, vacuum breaker and wall supply elbow. Order RPW2222HDF (chrome only).
- Metallic tub filler with pull-down diverter for 1/2" C.W.T. or 1/2" I.P.S. Order RP17454▲.
- Non-metallic tub filler with pull-down diverter for 1/2" C.W.T. or 1/2" I.P.S. Order RP17453 (chrome only).
- Non-metallic slip-on tub filler with pull-down diverter for 1/2" C.W.T. Order RP5836 (chrome only).
- Metallic slip-on tub filler with pull-down diverter for 1/2" C.W.T. Order RP19581PB (Brilliance™ polished brass only).
- Metallic tub filler with pull-up diverter for 1/2" C.W.T. or 1/2" I.P.S. Order RP7533▲.
- Non-metallic tub filler with pull-up diverter for 1/2" C.W.T. or 1/2" I.P.S. Order RP5834 (chrome only).
- Non-metallic slip-on tub filler with pull-up diverter for 1/2" C.W.T. Order RP19820 (chrome only).
- Metallic over-the-rim tub filler for 1/2" I.P.S. Order RP5833▲.
- Metallic over-the-rim slip-on tub filler for 1/2" C.W.T. Order RP5835 (chrome only).
- Bath waste assemblies and bath accessories also available separately.

▲ = Specify Finish



Indianapolis, Indiana 46280
A Division of Masco Corporation of Indiana
© 2001 Masco Corporation of Indiana