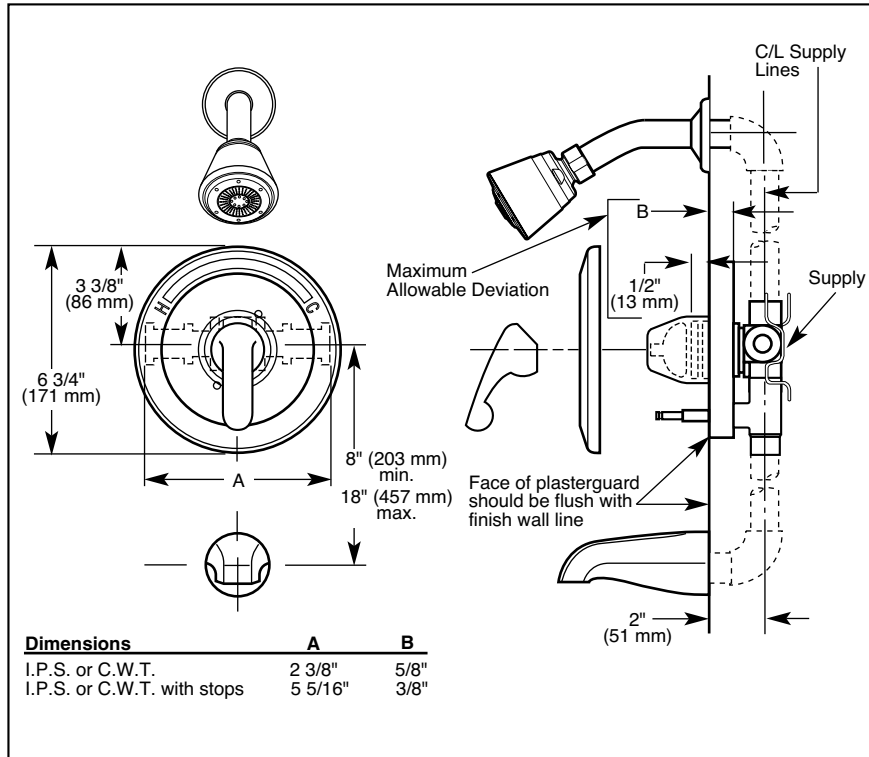


635

Submitted Model No.: \_\_\_\_\_

Specific Features: \_\_\_\_\_



# DELTA

## CONVENTIONAL BATH VALVES

- Tub/Shower
- Single Handle
- Conventional
- Non-Pressure Balance
- Push-Button Diverter
- Temperature and Volume Controlled with Handle



UL Listed to US and Canadian Safety Standards 21PL

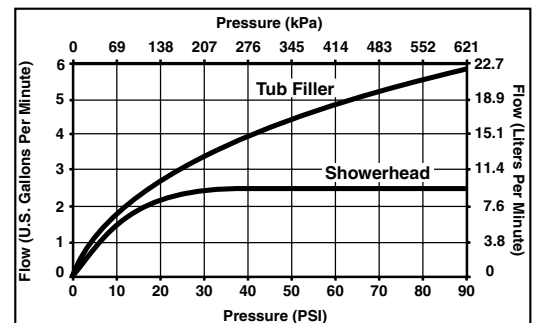


### COMPLIES WITH:

- ASME A112.18.1M-1996
- CSA B125-93
- Showerhead GSA A-A-240
- Indicates ADA compliance to CABO/ANSI A117.1-1992
- CSA Certified
- IAPMO Listed
- City of L.A. approved

### STANDARD SPECIFICATIONS:

- Single handle concealed type bath valve.
- Solid brass fabricated body.
- Requires 2" (51 mm) wall cavity.
- Lever handle.
- Push-button diverter.
- Temperature and volume controlled with handle.
- Control mechanism shall be of the rotating ball type with replaceable non-metallic seats operating in stainless steel lined sockets.
- Control handle shall always return to the neutral position when valve is turned off.
- All parts shall be replaceable from the front of the valve.



Delta reserves the right (1) to make changes in specifications and materials, and (2) to change or discontinue models, both without notice or obligation. Dimensions are for reference only.

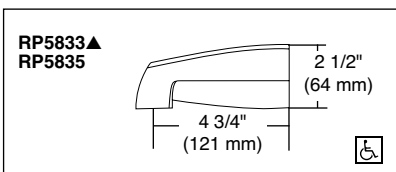
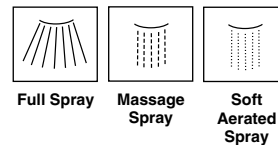
Standard Features	635	635-C	635-PB
Washerless	◆	◆	◆
1/2" I.P.S. Inlets and Outlets	◆		◆
1/2" C.W.T. Sweat Inlets and Outlets		◆	
Metal Lever Handle	♿	♿	♿
Push-Button Diverter	◆	◆	◆
Metal Shower Arm and Flange	◆	◆	◆
Non-Metallic Push-Clean™ Showerhead/1 Spray Pattern	◆	◆	◆
Metal Over-the-Rim Tub Filler	◆	◆	◆
Chrome Finish	◆	◆	
Brilliance™ Polished Brass Finish			◆

**Available Options for Field Conversion:**

- Screwdriver Stops. Order two RP5876s for I.P.S. or two RP6005s for C.W.T.
- Non-metallic Touch-Clean® showerhead/1 spray pattern. Order RP28600▲.
- Non-metallic Dual Spray Touch-Clean® showerhead/2 spray patterns. Order RP28601▲.
- Non-metallic Ultimate Touch-Clean® showerhead/3 spray patterns. Order RP28602▲.
- Brass shower arm diverter for hand shower. Order RP4239 (chrome only).
- Personal hand shower with 24" vertical bar, 60" hose. Order RP7245 (chrome only).
- Personal hand shower with 24" vertical bar, 60" hose, vacuum breaker and wall supply elbow. Order RPW1111HDF (chrome only).
- Personal hand shower with 60" hose, vacuum breaker and wall supply elbow. Order RPW2222HDF (chrome only).
- Metallic over-the-rim slip-on tub filler for 1/2" C.W.T. Order RP5835 (chrome only).
- Bath waste assemblies and bath accessories also available separately.

▲=Specify Finish

<p><b>RP28599▲</b> Push-Clean™ Showerhead</p> <p>2 1/2" (64 mm)</p> <p>2" (51 mm)</p>	<p><b>RP28600▲</b> Touch-Clean® Showerhead</p> <p>3 1/2" (89 mm)</p> <p>3 7/16" (87 mm)</p>
<p><b>RP28601▲</b> Dual Spray Touch-Clean® Showerhead</p> <p>4" (102 mm)</p> <p>3 7/16" (87 mm)</p>	<p><b>RP28602▲</b> Ultimate Touch-Clean® Showerhead</p> <p>4 3/8" (111 mm)</p> <p>3 1/2" (89 mm)</p>



Indianapolis, Indiana 46280  
A Division of Masco Corporation of Indiana  
© 2001 Masco Corporation of Indiana