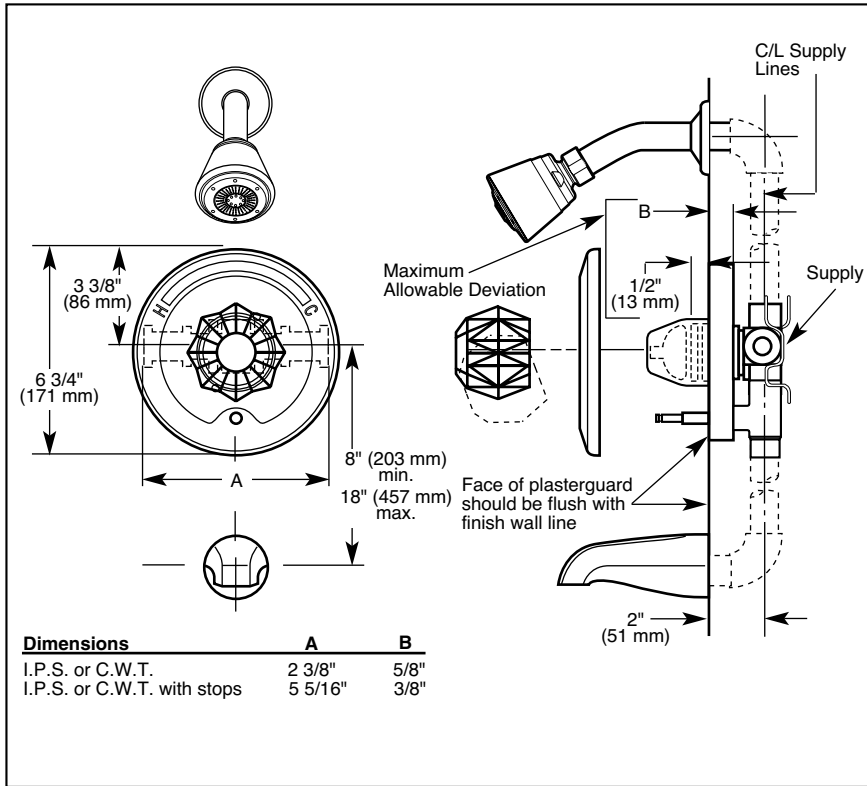


636

Submitted Model No.: _____

Specific Features: _____



DELTA

CONVENTIONAL BATH VALVES

- Tub/Shower
- Single Handle
- Conventional
- Non-Pressure Balance
- Push-Button Diverter
- Temperature and Volume Controlled with Handle



LISTED
UL Listed to US and Canadian
Safety Standards
21PL

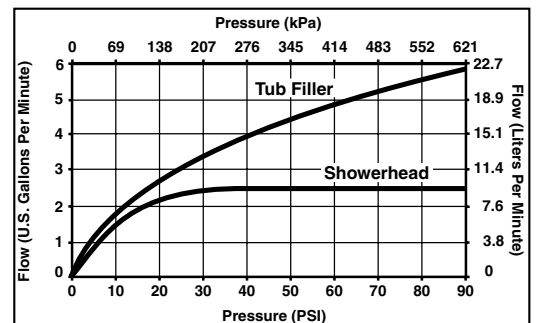


COMPLIES WITH:

- ASME A112.18.1M-1996
- CSA B125-93
- Indicates ADA compliance to CABO/ANSI A117.1-1992
- Showerhead GSA A-A-240
- CSA Certified
- IAPMO Listed
- City of L.A. approved

STANDARD SPECIFICATIONS:

- Single handle concealed type bath valve.
- Solid brass fabricated body.
- Requires 2" (51 mm) wall cavity.
- Clear knob handle.
- Push-button diverter.
- Temperature and volume controlled with handle.
- Control mechanism shall be of the rotating ball type with replaceable non-metallic seats operating in stainless steel lined sockets.
- All parts shall be replaceable from the front of the valve.



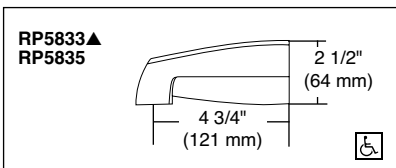
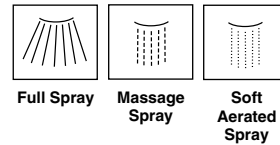
Standard Features	636	636-C	636-CWS	636-PB
	Washerless	◆	◆	◆
1/2" I.P.S. Inlets and Outlets	◆			◆
1/2" C.W.T. Sweat Inlets and Outlets		◆	◆	
Clear Knob Handle	◆	◆	◆	◆
Push-Button Diverter	◆	◆	◆	◆
Metal Shower Arm and Flange	◆	◆	◆	◆
Non-Metallic Push-Clean™ Showerhead/1 Spray Pattern	◆	◆	◆	◆
Metal Over-the-Rim Tub Filler	◆	◆	◆	◆
Chrome Finish	◆	◆	◆	
Brilliance™ Polished Brass Finish				◆

Available Options for Field Conversion:

- Screwdriver Stops. Order two RP5876s for I.P.S. or two RP6005s for C.W.T.
- Non-metallic Touch-Clean® showerhead/1 spray pattern. Order RP28600▲.
- Non-metallic Dual Spray Touch-Clean® showerhead/2 spray patterns. Order RP28601▲.
- Non-metallic Ultimate Touch-Clean® showerhead/3 spray patterns. Order RP28602▲.
- Brass shower arm diverter for hand shower. Order RP4239 (chrome only).
- Personal hand shower with 24" vertical bar, 60" hose. Order RP7245 (chrome only).
- Personal hand shower with 24" vertical bar, 60" hose, vacuum breaker and wall supply elbow. Order RPW1111HDF (chrome only).
- Personal hand shower with 60" hose, vacuum breaker and wall supply elbow. Order RPW2222HDF (chrome only).
- Metallic over-the-rim slip-on tub filler for 1/2" C.W.T. Order RP5835 (chrome only).
- Bath waste assemblies and bath accessories also available separately.

▲=Specify Finish

<p>RP28599▲ Push-Clean™ Showerhead</p> <p>2 1/2" (64 mm)</p> <p>2" (51 mm)</p>	<p>RP28600▲ Touch-Clean® Showerhead</p> <p>3 1/2" (89 mm)</p> <p>3 7/16" (87 mm)</p>
<p>RP28601▲ Dual Spray Touch-Clean® Showerhead</p> <p>4" (102 mm)</p> <p>3 7/16" (87 mm)</p>	<p>RP28602▲ Ultimate Touch-Clean® Showerhead</p> <p>4 3/8" (111 mm)</p> <p>3 1/2" (89 mm)</p>



Indianapolis, Indiana 46280
A Division of Masco Corporation of Indiana
© 2001 Masco Corporation of Indiana