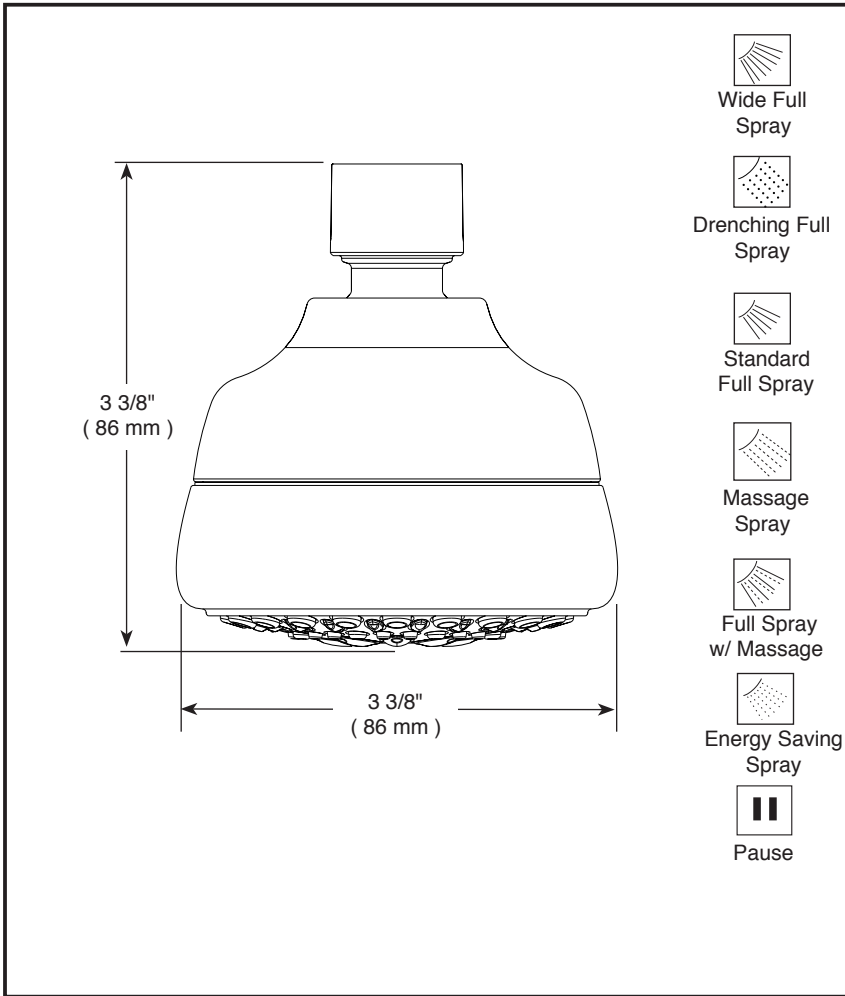


75762▲
75763C▲

Submitted Model No.: _____

Specific Features: _____



▲ Designate proper finish suffix



see what Delta can do™

SHOWERHEAD

■ 7-Spray Setting Showerhead

FEATURES:

- Touch-Clean® Nozzles

STANDARD SPECIFICATIONS:

- Maximum 2.0 gpm @ 80 psi, 7.6 L/min @ 550 kPa (75762)
- Maximum 1.75 gpm @ 80 psi, 6.6 L/min @ 550 kPa (75763C)
- ABS showerhead with seven settings - pause is a non-positive shut-off
- Standard 1/2" pipe fitting
- The ball swivel angle is 17° (8.5° per side)
- Easy-turn spray dial

WARRANTY

- Lifetime limited warranty on parts (other than electronic parts and batteries) and finishes; or, for commercial users, for 5 years from the date of purchase.
- 5 year limited warranty on electronic parts (other than batteries); or for commercial users, for 1 year from the date of purchase. No warranty is provided on batteries.



COMPLIES WITH

- ASME A112.18.1 / CSA B125.1
- EPA WaterSense®

Delta reserves the right (1) to make changes in specifications and materials, and (2) to change or discontinue models, both without notice or obligation. Dimensions are for reference only. See current full-line price book or www.deltafaucet.com for finish options and product availability.