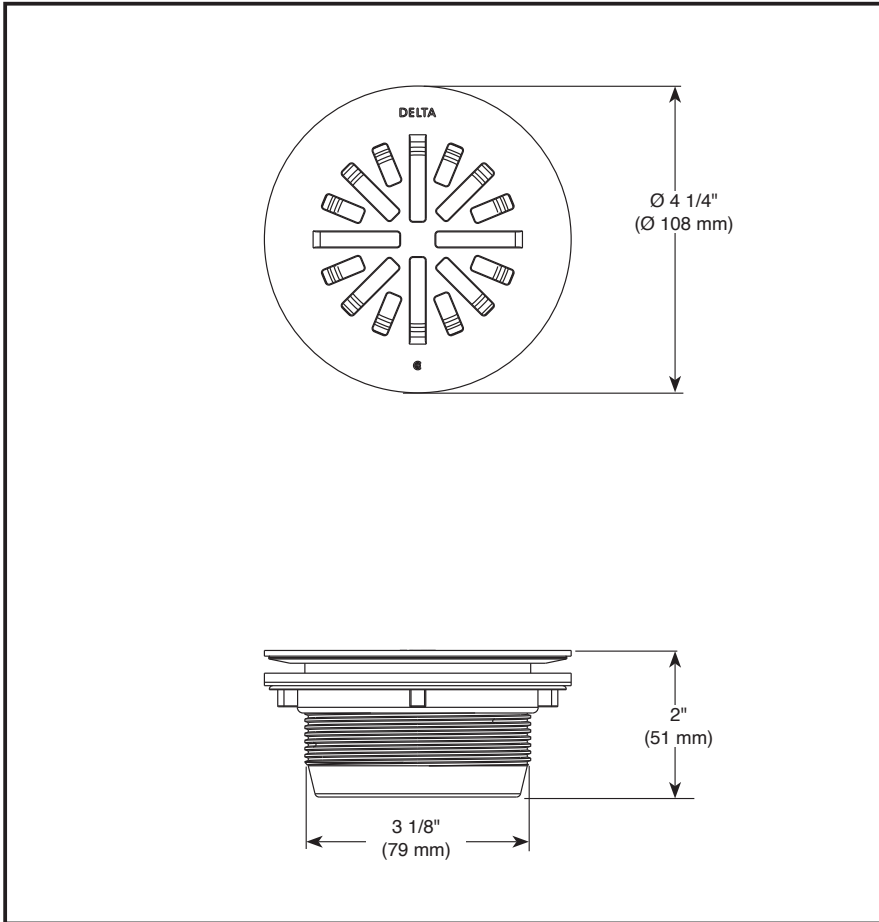


Submitted Model No.: _____

Specific Features: _____



▲ Designate proper finish suffix



see what Delta can do™

ACCESSORIES

■ 4" Prefab Round Shower Drain

STANDARD SPECIFICATIONS:

- Brass body and drain grate
- Snap-in drain grate
- Drain for use with preformed shower stall bases
- Compression gasket tightens around 2" Schedule 40 pipe with caulking nut and wrench
- For use with 2" metal or plastic pipe; includes 2" plastic pipe gasket/bushing.

WARRANTY

- Parts and Finish - Lifetime limited warranty; or for commercial purchasers, 10 years for multi-family residential (apartments and condominiums) and 5 years for all other commercial uses, in each case from the date of purchase.
- Electronic Parts and Batteries (if applicable) - 5 years from the date of purchase; or for commercial purchasers, 1 year from the date of purchase. No warranty is provided on batteries.

COMPLIES WITH:

- ASME A112.18.2 / CSA B125.2

Delta reserves the right (1) to make changes in specifications and materials, and (2) to change or discontinue models, both without notice or obligation. Dimensions are for reference only. See current full-line price book or www.deltafaucet.com for finish options and product availability.

DSP-A-DT051411 Rev. A

Delta Faucet Company

55 E. 111th Street, Indianapolis, Indiana 46280
350 South Edgeware Road, St. Thomas, Ontario Canada N5P 4L1
© 2022 Delta Faucet Company



see what Delta can do™

60" X 32" CURVED SHOWER BASE

■ Classic 500™

STANDARD SPECIFICATIONS:

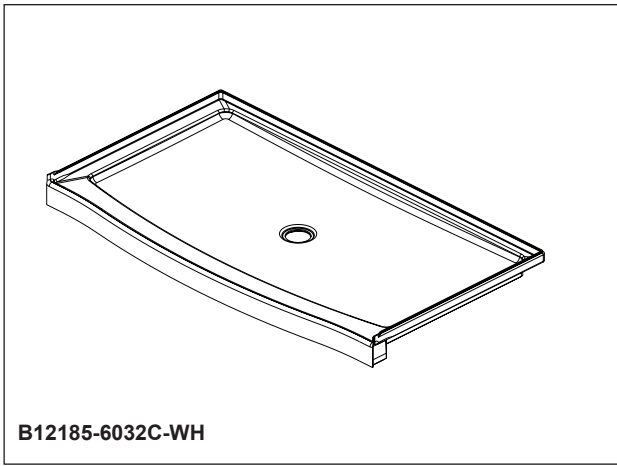
- Caulkless Installation when used with matching wall set
- Direct-to-stud installation
- Made with High-Gloss ProCrylic™ Material
- Textured Bottom
- Uses Standard Shower Stall Drain with 4 1/4" Strainer
- 10 Year Limited Residential Warranty
- 1 Year Limited Commercial Warranty

COLOR/FINISH

- White

COMPLIES WITH:

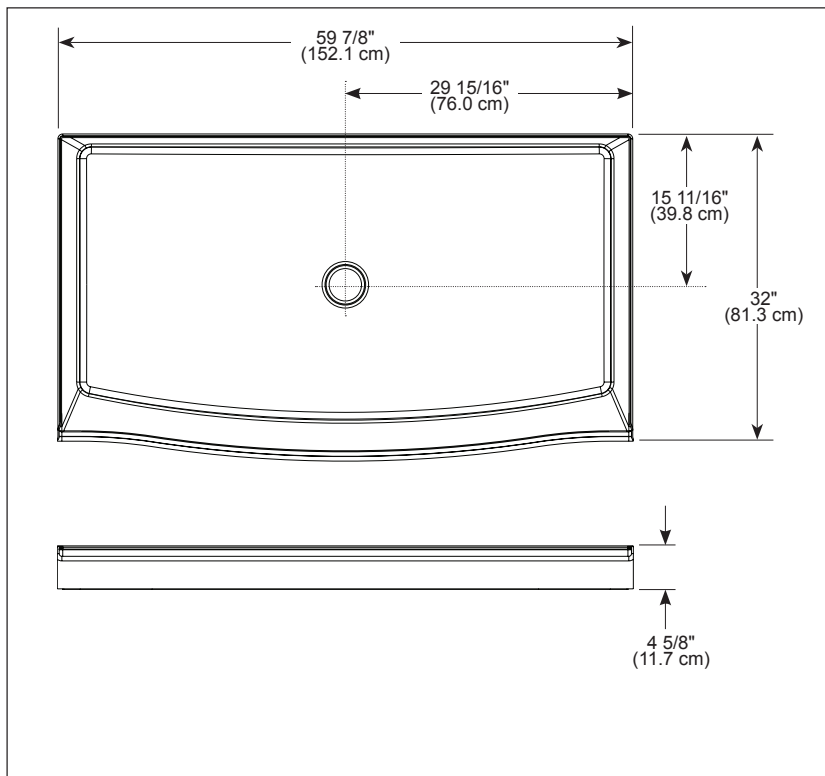
- CSA B45.5/IAPMO Z124



B12185-6032C-WH

Submitted Model No.: _____

Specific Features: _____

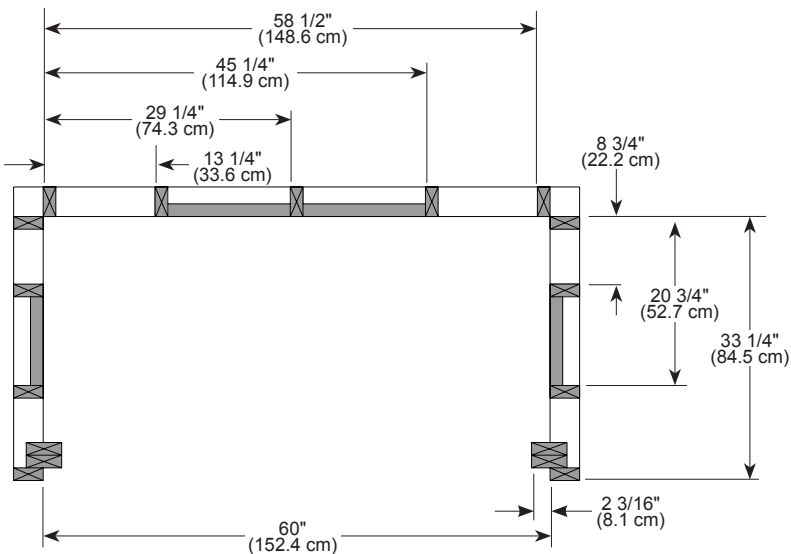
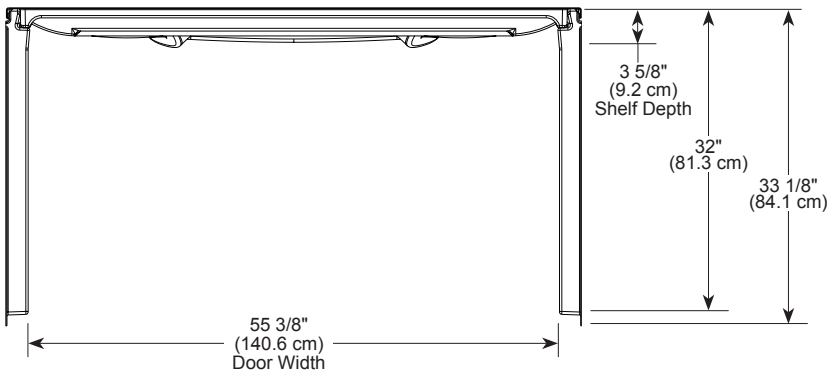
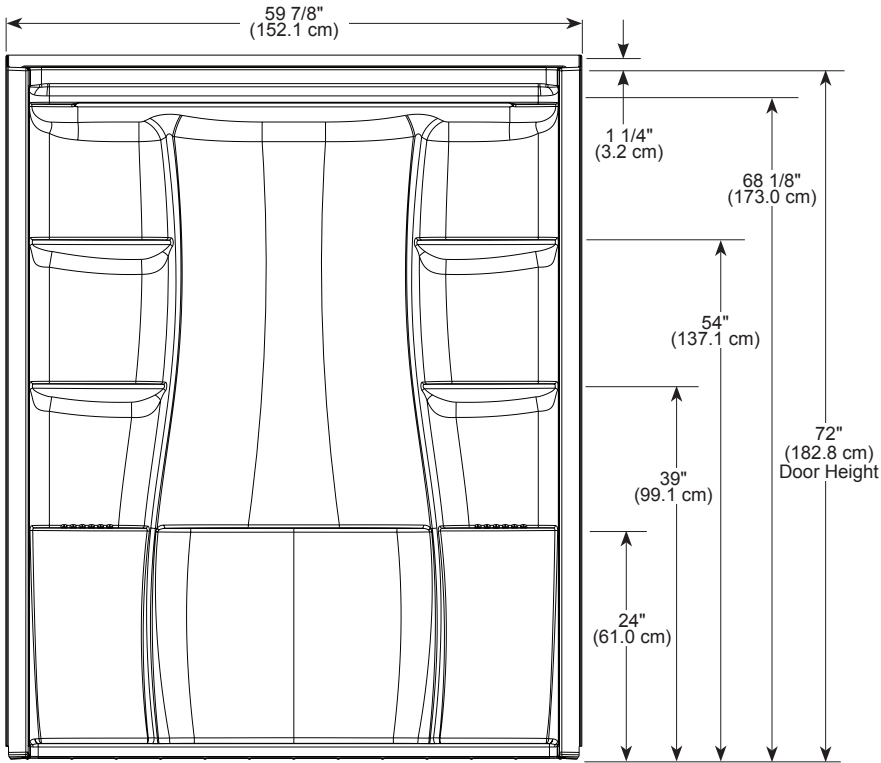
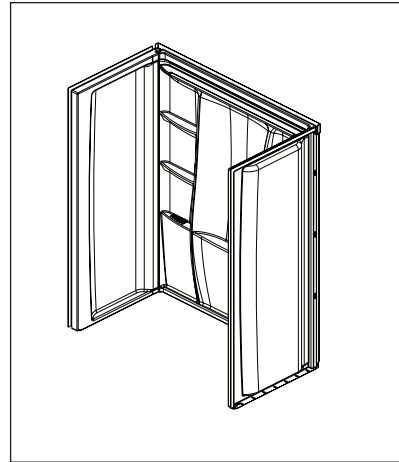




see what Delta can do™

CLASSIC 500™

B12205-6032-WH
60" X 32" THREE-PIECE
SHOWER WALL SET



STANDARD SPECIFICATIONS:

- Caulkless Installation
- Direct-to-stud installation
- Accessory Ledge
- Made with High-Gloss ProCrylic™ Material
- 10 Year Limited Residential Warranty
- 1 Year Limited Commercial Warranty

COLOR/FINISH

- White

COMPLIES WITH:

- CSA B45.5/IAPMO Z124