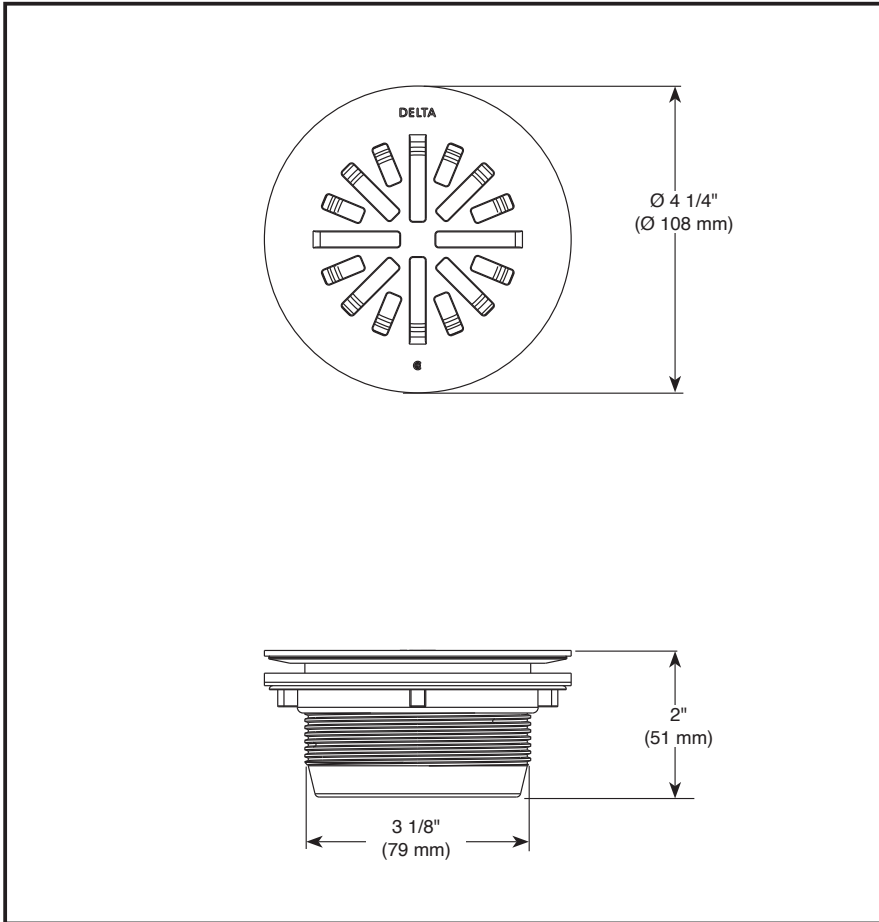


Submitted Model No.: _____

Specific Features: _____



▲ Designate proper finish suffix



see what Delta can do™

ACCESSORIES

■ 4" Prefab Round Shower Drain

STANDARD SPECIFICATIONS:

- Brass body and drain grate
- Snap-in drain grate
- Drain for use with preformed shower stall bases
- Compression gasket tightens around 2" Schedule 40 pipe with caulking nut and wrench
- For use with 2" metal or plastic pipe; includes 2" plastic pipe gasket/bushing.

WARRANTY

- Parts and Finish - Lifetime limited warranty; or for commercial purchasers, 10 years for multi-family residential (apartments and condominiums) and 5 years for all other commercial uses, in each case from the date of purchase.
- Electronic Parts and Batteries (if applicable) - 5 years from the date of purchase; or for commercial purchasers, 1 year from the date of purchase. No warranty is provided on batteries.

COMPLIES WITH:

- ASME A112.18.2 / CSA B125.2

Delta reserves the right (1) to make changes in specifications and materials, and (2) to change or discontinue models, both without notice or obligation. Dimensions are for reference only. See current full-line price book or www.deltafaucet.com for finish options and product availability.

DSP-A-DT051411 Rev. A

Delta Faucet Company

55 E. 111th Street, Indianapolis, Indiana 46280
 350 South Edgeware Road, St. Thomas, Ontario Canada N5P 4L1
 © 2022 Delta Faucet Company

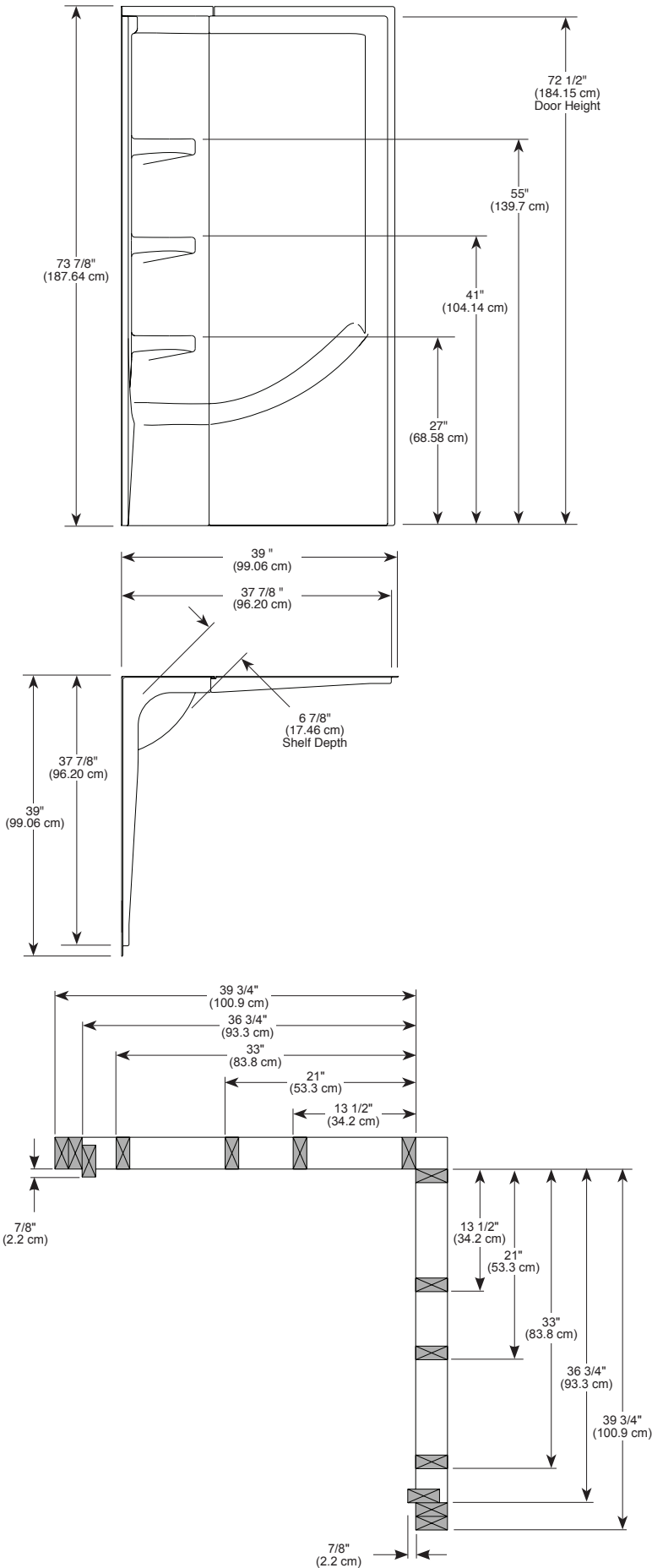
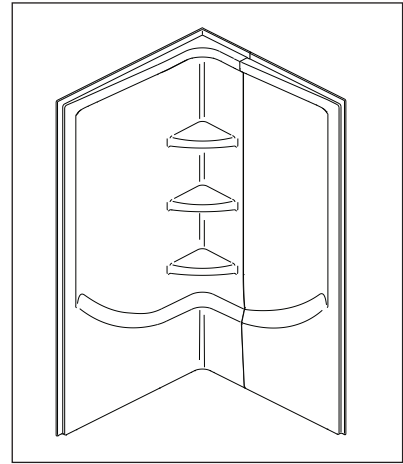


see what Delta can do™

38" CORNER WALL SET

B67916-3838-WH

38" X 38" TWO-PIECE SHOWER WALL SET



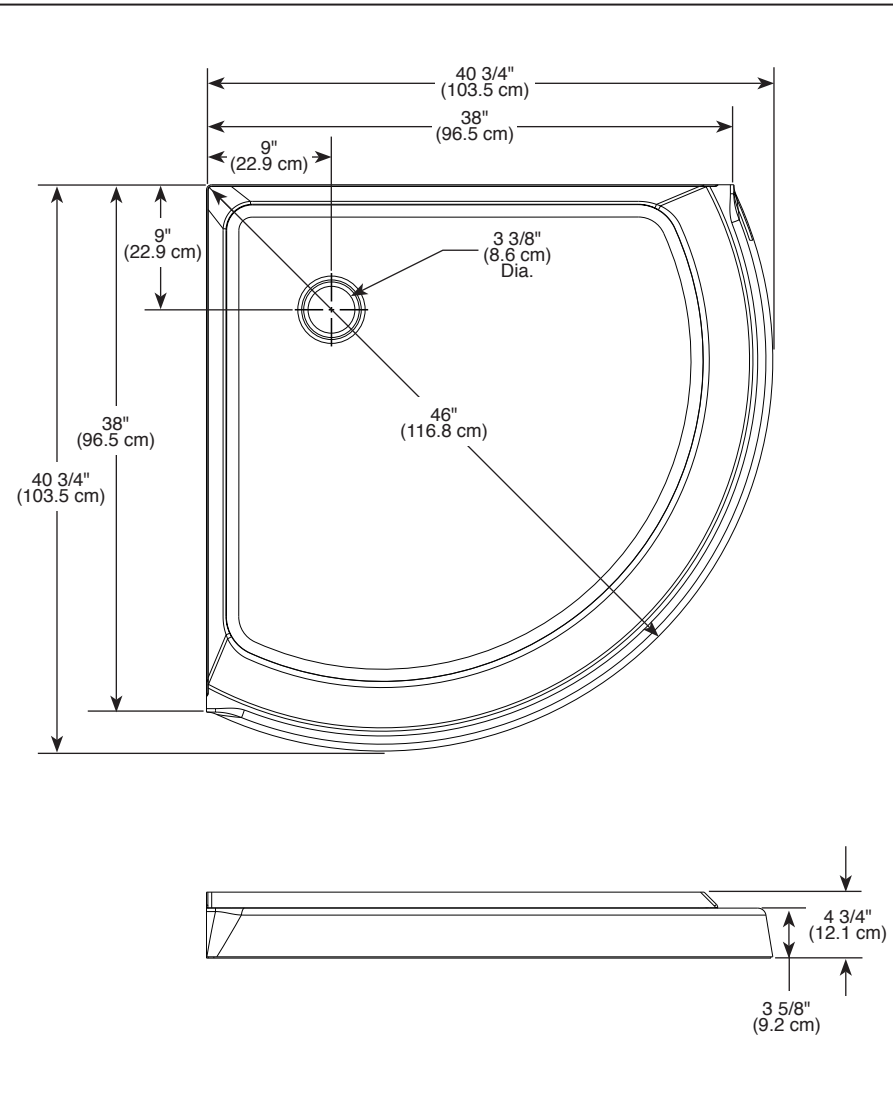
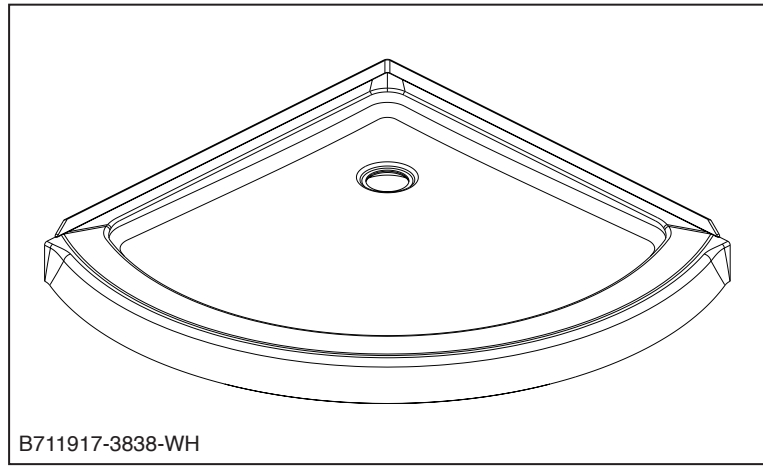
- Made with High-Gloss ProCrylic™ Material
- Direct-to-Stud Installation
- 10 Year Limited Warranty

COLOR/FINISH

- White

COMPLIES WITH:

- CSA B45.5/IAPMO Z 124



see what Delta can do™

38" ROUND SHOWER BASE

- Made with High-Gloss ProCrylic™ Material
- Uses Standard Shower Drain with 4 1/4" Strainer
- Textured Bottom

COLOR/FINISH:

- White

WARRANTY:

- Delta® Tubs, Shower Bases, and Walls – 10 years from the date of purchase; or for commercial purchasers, 1 year from the date of purchase.
- Delta® Glass and Frameless Shower Enclosures and Shower Doors – 5 years from the date of purchase; or for commercial purchasers, 1 year from the date of purchase.
- Peerless® Tubs, Shower Bases, Shower Enclosures, and Walls – 3 years from the date of purchase; or for commercial purchasers, 1 year from the date of purchase.
- All Other Tubs, Shower Bases, Shower Enclosures, and Walls – 1 year from the date of purchase for the original consumer purchaser and commercial purchaser.

COMPLIES WITH:

- CSA B45.5/IAPMO Z124



see what Delta can do™

38" ROUND CORNER SHOWER ENCLOSURE

- Designed to Fit Delta 38" Round Shower Base
- Stainless Finish Hardware
- Frameless 1/4" Clear Tempered Glass Door and Panel
- Can Install With Tile Applications

FINISHES:

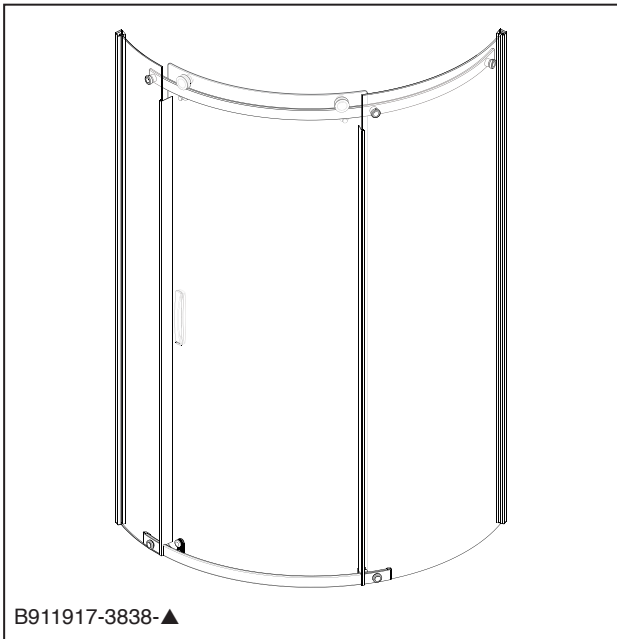
- Brushed Stainless Steel
- Polished Chrome

WARRANTY:

- Delta® Tubs, Shower Bases, and Walls – 10 years from the date of purchase; or for commercial purchasers, 1 year from the date of purchase.
- Delta® Glass and Frameless Shower Enclosures and Shower Doors – 5 years from the date of purchase; or for commercial purchasers, 1 year from the date of purchase.
- Peerless® Tubs, Shower Bases, Shower Enclosures, and Walls – 3 years from the date of purchase; or for commercial purchasers, 1 year from the date of purchase.
- All Other Tubs, Shower Bases, Shower Enclosures, and Walls – 1 year from the date of purchase for the original consumer purchaser and commercial purchaser.

COMPLIES WITH:

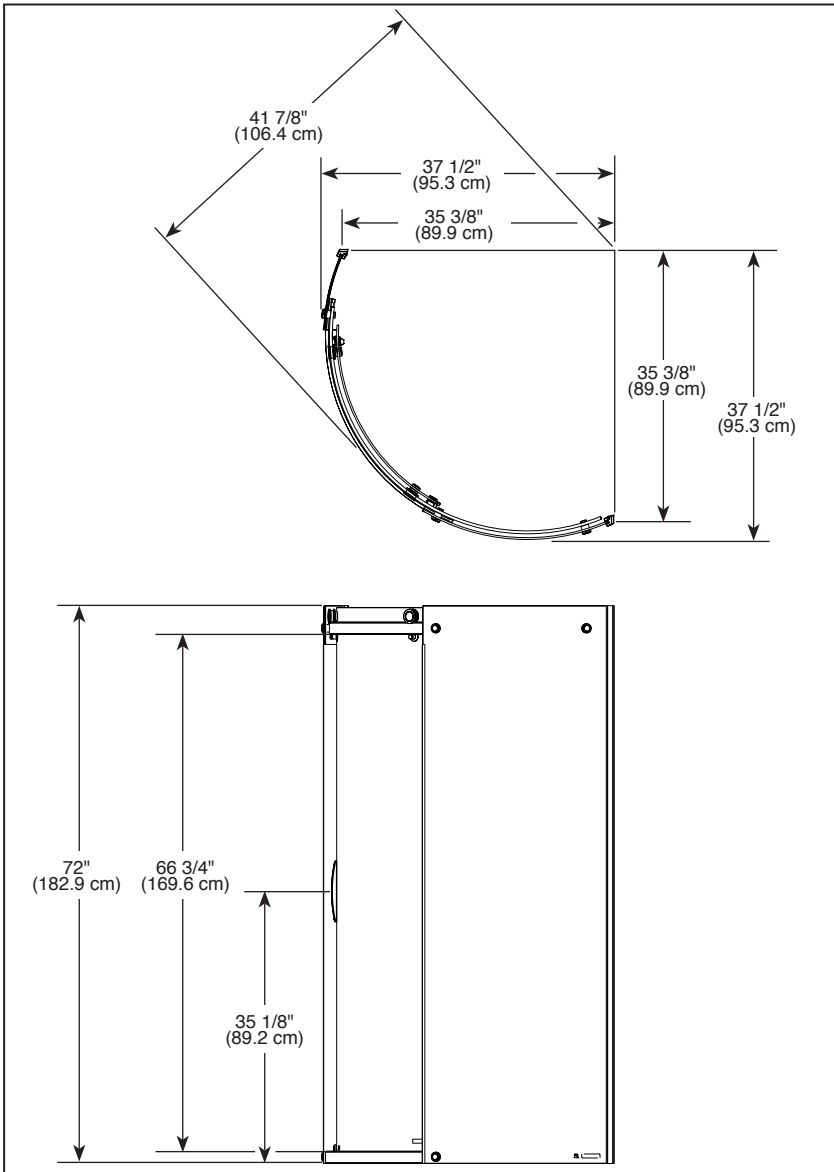
- IAPMO IGC 154



B911917-3838-▲

Submitted Model No.: _____

Specific Features: _____



▲ Designate Proper Finish Suffix. PC - Chrome, SS - Stainless.