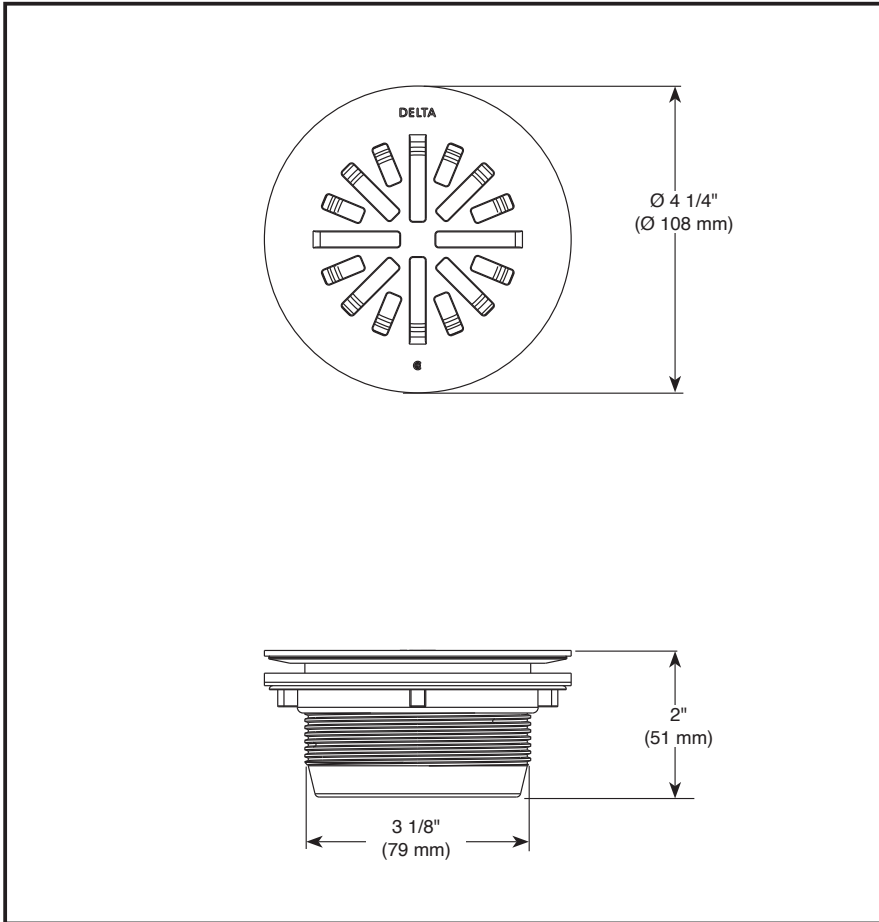


Submitted Model No.: _____

Specific Features: _____



▲ Designate proper finish suffix



see what Delta can do™

ACCESSORIES

■ 4" Prefab Round Shower Drain

STANDARD SPECIFICATIONS:

- Brass body and drain grate
- Snap-in drain grate
- Drain for use with preformed shower stall bases
- Compression gasket tightens around 2" Schedule 40 pipe with caulking nut and wrench
- For use with 2" metal or plastic pipe; includes 2" plastic pipe gasket/bushing.

WARRANTY

- Parts and Finish - Lifetime limited warranty; or for commercial purchasers, 10 years for multi-family residential (apartments and condominiums) and 5 years for all other commercial uses, in each case from the date of purchase.
- Electronic Parts and Batteries (if applicable) - 5 years from the date of purchase; or for commercial purchasers, 1 year from the date of purchase. No warranty is provided on batteries.

COMPLIES WITH:

- ASME A112.18.2 / CSA B125.2

Delta reserves the right (1) to make changes in specifications and materials, and (2) to change or discontinue models, both without notice or obligation. Dimensions are for reference only. See current full-line price book or www.deltafaucet.com for finish options and product availability.

DSP-A-DT051411 Rev. A

Delta Faucet Company

55 E. 111th Street, Indianapolis, Indiana 46280
350 South Edgeware Road, St. Thomas, Ontario Canada N5P 4L1
© 2022 Delta Faucet Company



see what Delta can do™

38" FRAMELESS NEO-ANGLE SHOWER ENCLOSURE

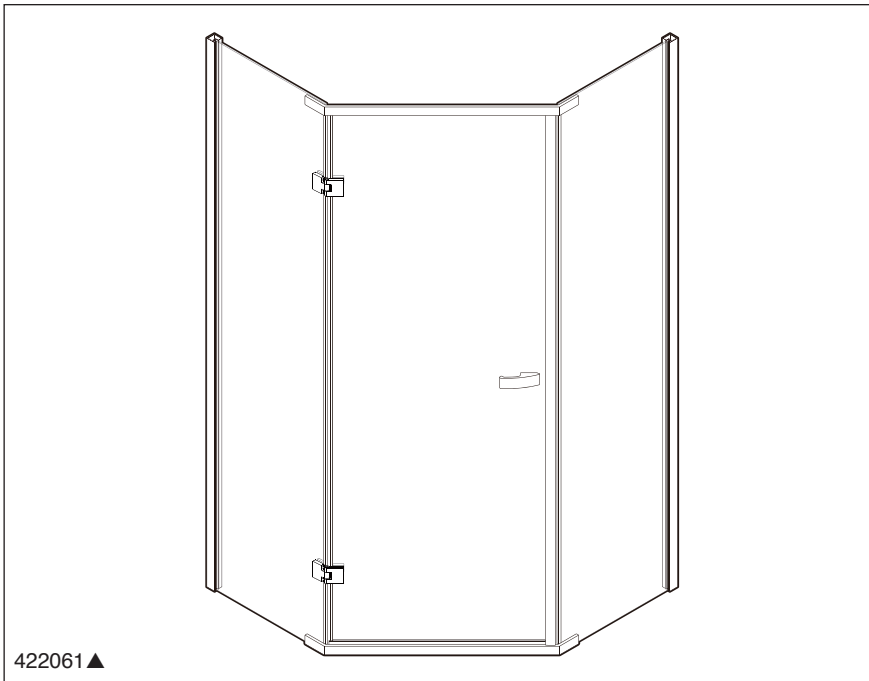
- Designed to Fit Delta 38" Neo-Angle Shower Base
- Right or Left Door Swing Installation
- Frameless 1/4" Clear Tempered Glass Door and Panels
- Can Install with Tile Applications
- 5 Year Limited Residential Warranty
- 1 Year Limited Commercial Warranty

COLOR/FINISH

- Clear Glass
- Brushed Stainless Steel Hardware for SS model
- Chrome Hardware for PC model

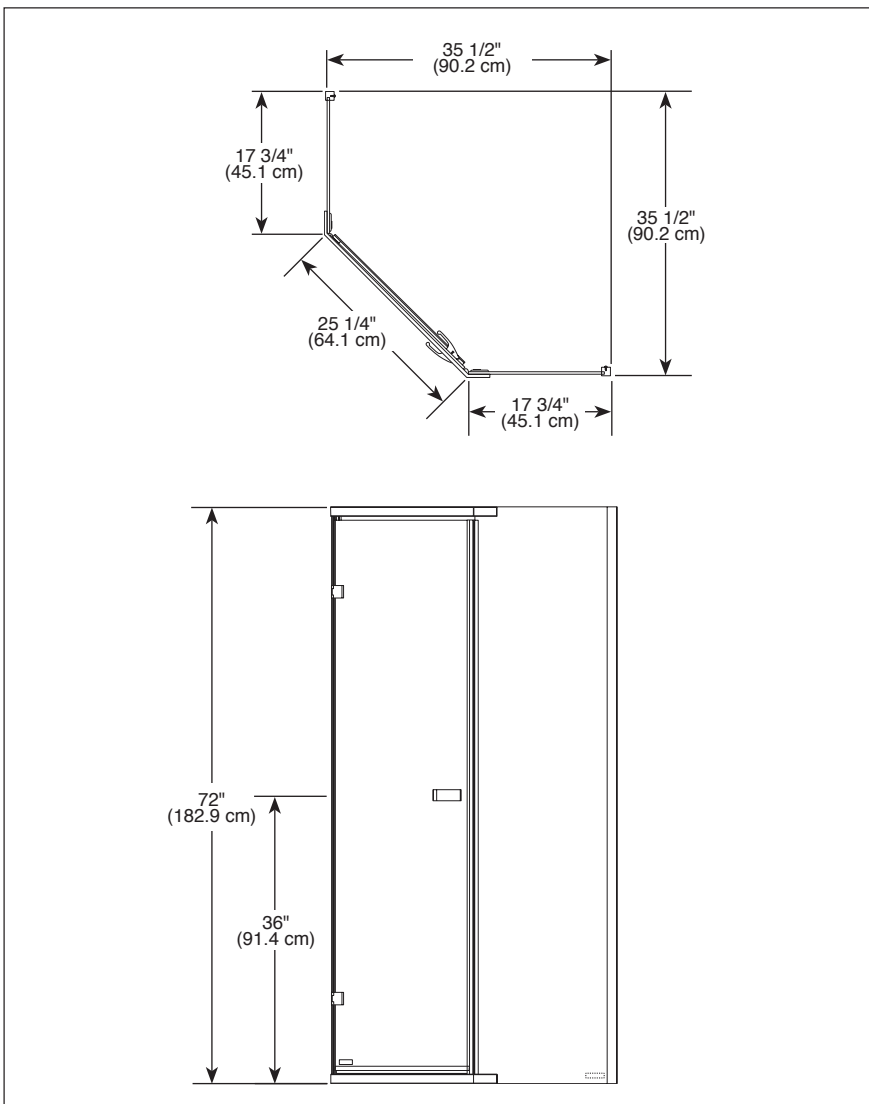
COMPLIES WITH:

- IAPMO IGC 154



Submitted Model No.: _____

Specific Features: _____



▲ Designate proper finish suffix. PC: Polished Chrome, SS: Stainless Steel



38" NEO ANGLE SHOWER BASE

- High-Gloss Acrylic-Capped ABS with Polyurethane Reinforcement
- Uses Standard Shower Drain with 4 1/4" Strainer
- Textured Bottom
- 10 Year Limited Residential Warranty
- 1 Year Limited Commercial Warranty

422062

Submitted Model No.: _____

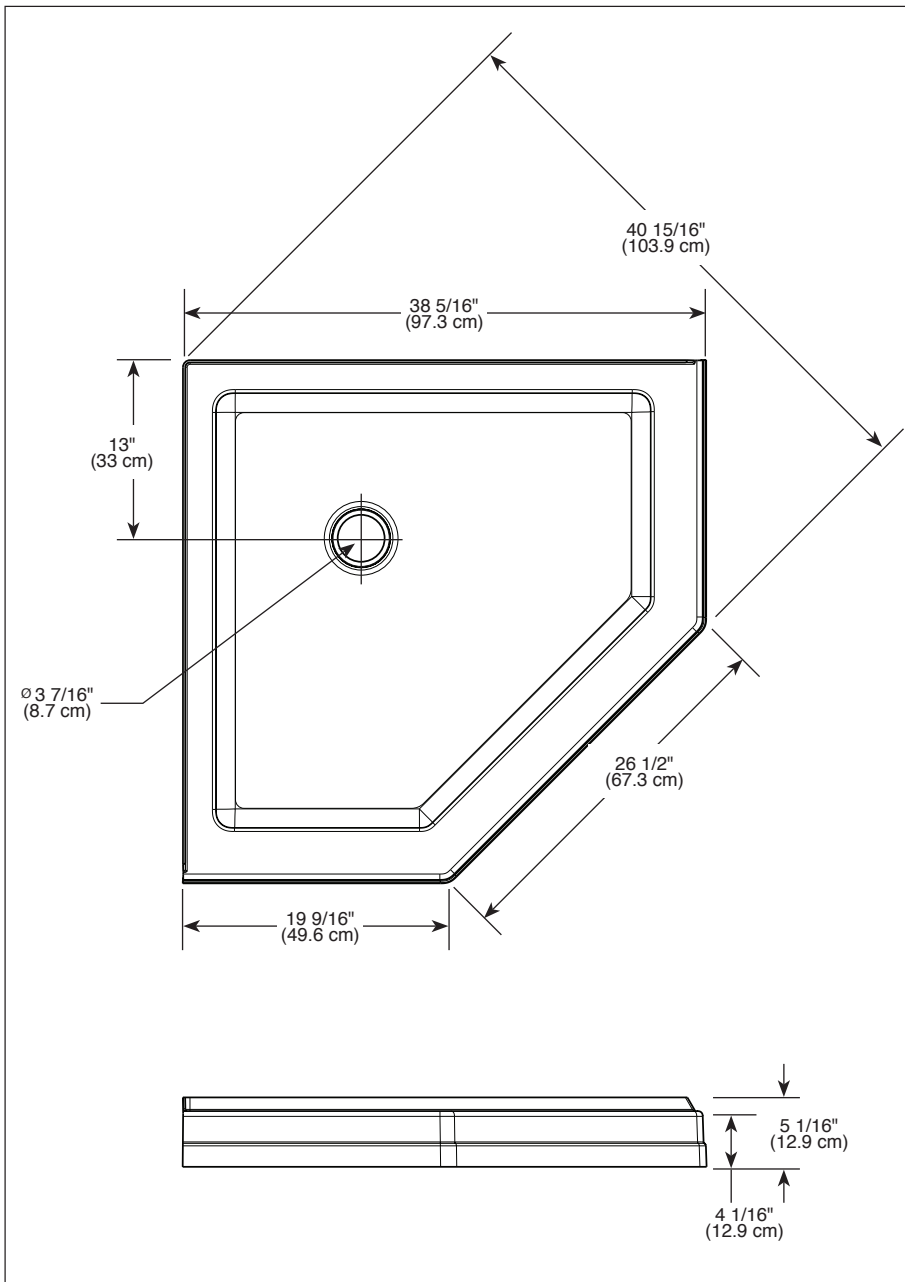
Specific Features: _____

COLOR/FINISH

- White

COMPLIES WITH:

- CSA B45.5/IAPMO Z 124



55 E 111th Street, Indianapolis, Indiana 46280
350 South Edgeware Road, St. Thomas, ON N5P 4L1
© 2016 Masco Corporation of Indiana

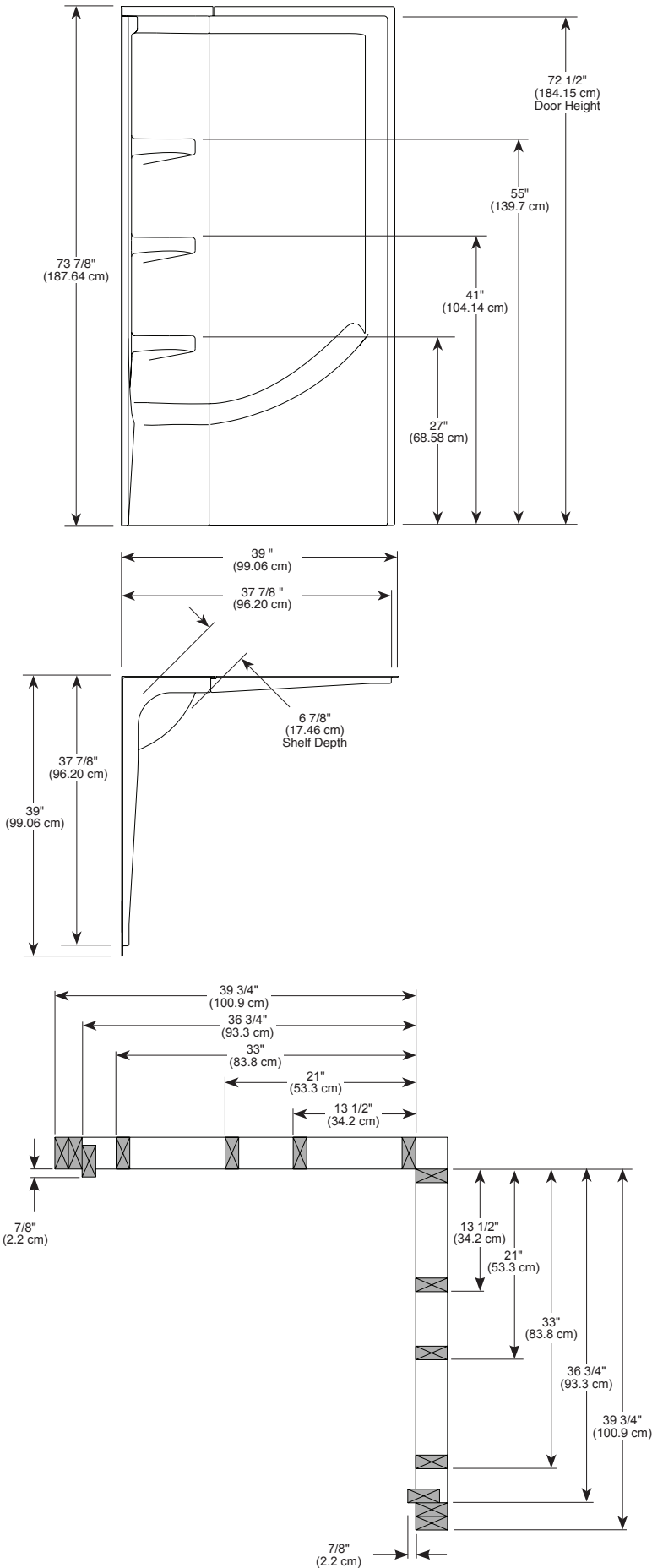
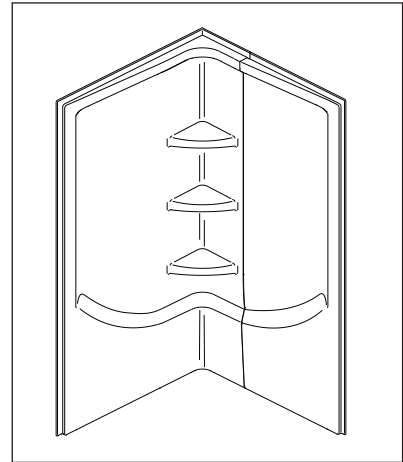


see what Delta can do™

38" CORNER WALL SET

B67916-3838-WH

38" X 38" TWO-PIECE SHOWER WALL SET



- Made with High-Gloss ProCrylic™ Material
- Direct-to-Stud Installation
- 10 Year Limited Warranty

COLOR/FINISH

- White

COMPLIES WITH:

- CSA B45.5/IAPMO Z 124