

Submitted Model No.: _____
 Specific Features: _____



see what Delta can do™

PERSONAL HAND HELD SHOWERS

■ Touch-Clean® Nozzles

STANDARD SPECIFICATIONS:

- Maximum 2.5 gpm @ 80 psi, 9.5 L/min @ 550 kPa (57014 only)
- Maximum 1.75 gpm @ 80 psi, 6.6 L/min @ 550 kPa
- Hand held shower with one or three spray settings
- 60"-82" stretchable metal hose
- Certified dual check valves for backflow protection
- 24" (610 mm) wall bar with adjustable slide (allows for adjustable shower height) - 57014, 57021, 57051 and 57085 only. Not to be used as a Grab Bar. Not ADA compliant
- Wall mount bracket - 55013, 55020, 55021, 55051 and 55085 only

WARRANTY

- Parts and Finish - Lifetime limited warranty; or for commercial purchasers, 10 years for multi-family residential (apartments and condominiums) and 5 years for all other commercial uses, in each case from the date of purchase.
- Electronic Parts and Batteries (if applicable) - 5 years from the date of purchase; or for commercial purchasers, 1 year from the date of purchase. No warranty is provided on batteries.



COMPLIES WITH:

- ASME A112.18.1/CSA B125.1 ♦
- EPA WaterSense® - Applies to 57021, 57051, 57085, 55013, 55020, 55021, 55051, and 55085 only

<p>57014▲ 2.5 GPM</p> <p>Accepts 1/2" - 14 NPSM Male</p>	<p>57021▲ 1.75 GPM</p> <p>Accepts 1/2" - 14 NPSM Male</p>	<p>57051▲ 1.75 GPM</p> <p>Accepts 1/2" - 14 NPSM Male</p>
<p>57085▲ 1.75 GPM</p> <p>Accepts 1/2" - 14 NPSM Male</p>	<p>55013▲ 1.75 GPM</p> <p>Accepts 1/2" - 14 NPSM Male</p>	<p>55020▲ 1.75 GPM</p> <p>Accepts 1/2" - 14 NPSM Male</p>
<p>55021▲ 1.75 GPM</p> <p>Accepts 1/2" - 14 NPSM Male</p>	<p>55051▲ 1.75 GPM</p> <p>Accepts 1/2" - 14 NPSM Male</p>	<p>55085▲ 1.75 GPM</p> <p>Accepts 1/2" - 14 NPSM Male</p>

▲ Designate proper finish suffix

- ◆ Your Delta Faucet handshower incorporates a backflow protection system that has been tested to be in compliance with ASME A112.18.3 and ASME A112.18.1/CSA B125.1. It incorporates two certified check valves in series, which operate independently and are integral, non-serviceable parts of the wand assembly.

Delta reserves the right (1) to make changes in specifications and materials, and (2) to change or discontinue models, both without notice or obligation. Dimensions are for reference only. See current full-line price book or www.deltafaucet.com for finish options and product availability.

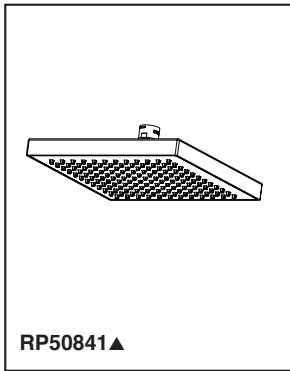
DSP-B-55021 Rev. D

Delta Faucet Company

55 E. 111th Street, Indianapolis, IN 46280
 350 South Edgeware Road, St. Thomas, ON N5P 4L1
 © 2020 Delta Faucet Company

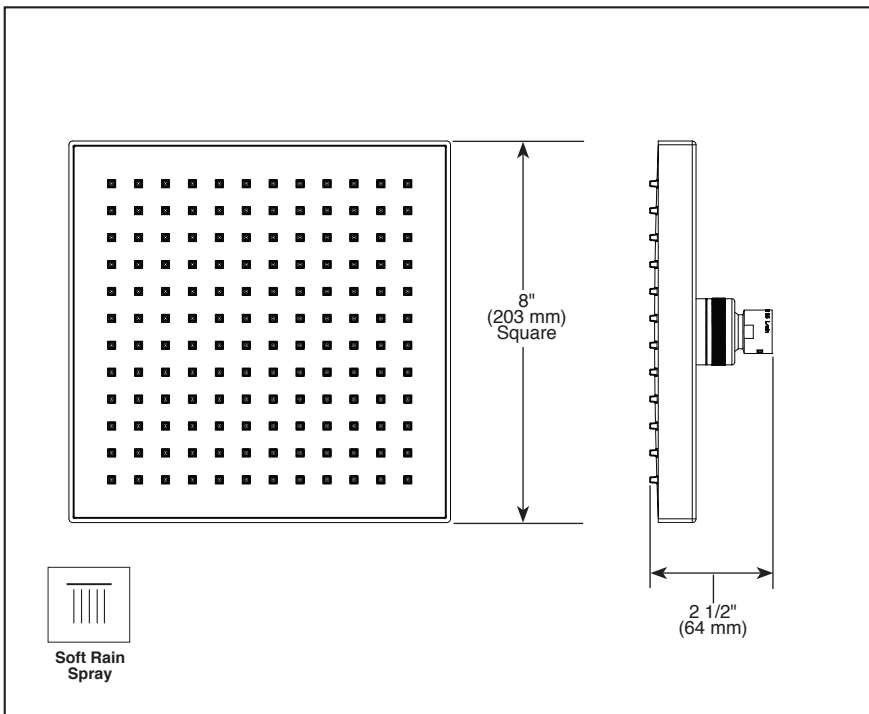


RAINCAN SHOWERHEAD



Submitted Model No.: _____

Specific Features: _____



▲ Designate proper finish suffix

STANDARD SPECIFICATIONS:

- Maximum 2.5 gpm at 80 psi, 9.5L/Min @ 552 kPa
- Single spray setting
- Touch-Clean® spray holes
- Standard 1/2" pipe fitting

WARRANTY

- Lifetime limited warranty on parts (other than electronic parts and batteries) and finishes: or, for commercial users, for 5 years from date of purchase.
- 5 year limited warranty on electronic parts (other than batteries); or, for commercial users, for 1 year from the date of purchase. No warranty is provided on batteries.

COMPLIES WITH:

- ASME A112.18.1 / CSA B125.1



55 E 111th Street, Indianapolis, Indiana 46280
350 South Edgeware Road, St. Thomas, ON N5P 4L1
© 2015 Masco Corporation of Indiana

Delta reserves the right (1) to make changes in specifications and materials, and (2) to change or discontinue models, both without notice or obligation. Dimensions are for reference only. See current full-line price book or www.deltafaucet.com for finish options and product availability.

DSP-B-RP50841 Rev. A

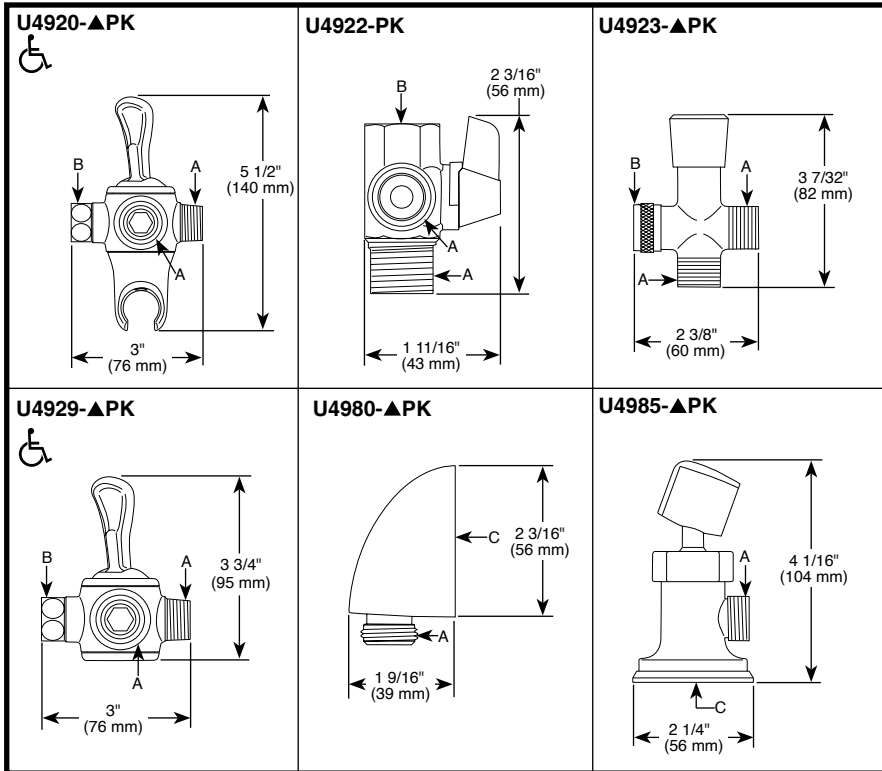
Submitted Model No.: _____

Specific Features: _____



see what Delta can do™

Shower Accessories



▲ Designate proper finish suffix

Thread Specification:

A	1/2-14 NPSM-2A
B	1/2-14 NPSM-2B
C	1/2-14 NPT-2B

STANDARD SPECIFICATIONS:

- ADA compliant flip lever: U4920-▲PK, U4929-▲PK
- Water supply elbow: U4980-▲PK.
- Water supply elbow with mount: U4985-▲PK
- Diverters: U4920-▲PK, U4922-PK, U4923-▲PK, U4929-▲PK

WARRANTY

- Parts and Finish – Lifetime limited warranty; or for commercial purchasers, 10 years for multi-family residential (apartments and condominiums) and 5 years for all other commercial uses, in each case from the date of purchase.
- Electronic Parts and Batteries (if applicable) – 5 years from the date of purchase; or for commercial purchasers, 1 year from the date of purchase. No warranty is provided on batteries.

COMPLIES WITH:

ASME A112.18.1 / CSA B125.1

♿ Indicates compliance to ICC/ANSI A117.1 - Applies to U4920-▲PK & U4929-▲PK only

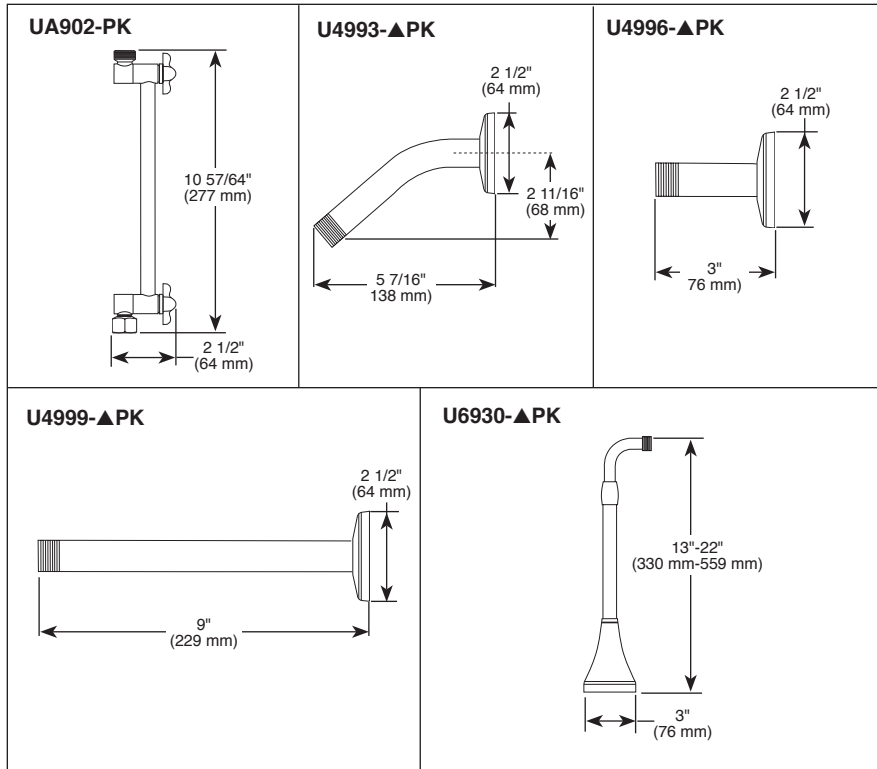
Submitted Model No.: _____

Specific Features: _____



SHOWER ARMS

- Fixed, Extendable, and Adjustable Shower Arms
- Brass Construction



▲ Designate proper finish suffix

STANDARD SPECIFICATIONS:

- Shower arms attach directly to water supply.
- Brass construction.
- Shower arm and flange: U4993, U4996, U4999.
- Adjustable 18" up and down: UA902.
- Extends 13"-22" (330 mm-559 mm) for overhead showering: U6930.

WARRANTY

- Lifetime limited warranty on parts (other than electronic parts and batteries) and finishes: or, for commercial users, for 5 years from date of purchase.
- 5 year limited warranty on electronic parts (other than batteries); or, for commercial users, for 1 year from the date of purchase. No warranty is provided on batteries.



55 E. 111th Street, Indianapolis, Indiana 46280
350 South Edgeware Road, St. Thomas, ON N5P 4L1
© 2015 Masco Corporation of Indiana

Delta reserves the right (1) to make changes in specifications and materials, and (2) to change or discontinue models, both without notice or obligation. Dimensions are for reference only. See current full-line price book or www.deltafaucet.com for finish options and product availability.

DSP-B-UA902-PK Rev. C