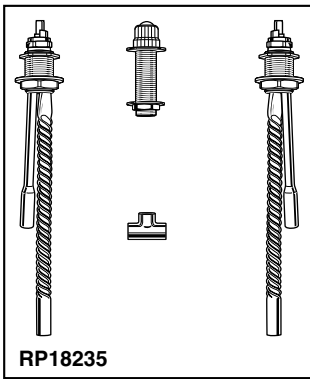


# ROUGH-IN KIT

- Two Handle Roman Tub Rough-In Kit
- Flexible Deck or Ledge Mount
- Adjustable Thick Tile Rough-In Installation
- Installed Before Mud and Tile Applied
- Three Hole Installation
- 16" (406 mm) Maximum Widespread (without using additional tubing)
- Temperature and Volume Controlled with Handles
- Trim Kit Must Also be Ordered to Complete Installation



RP18235

Submitted Model No.: \_\_\_\_\_

Specific Features: \_\_\_\_\_

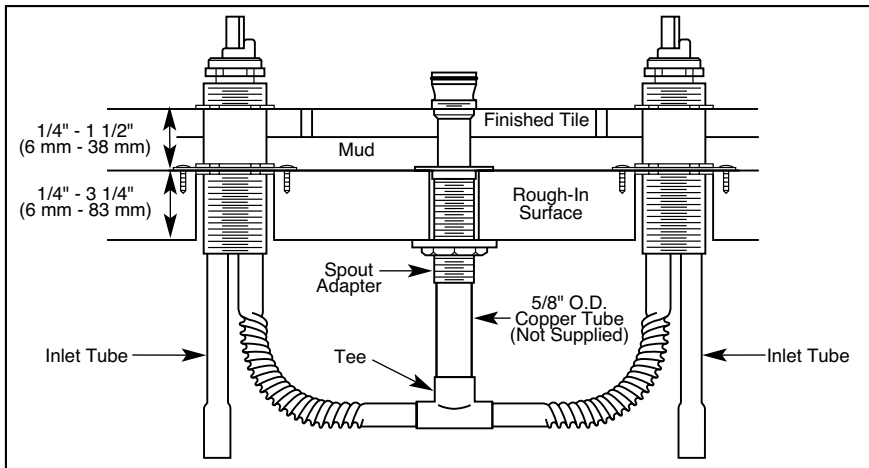
### COMPLIES WITH:

- ASME A112.18.1M-1996
- CSA B125-93

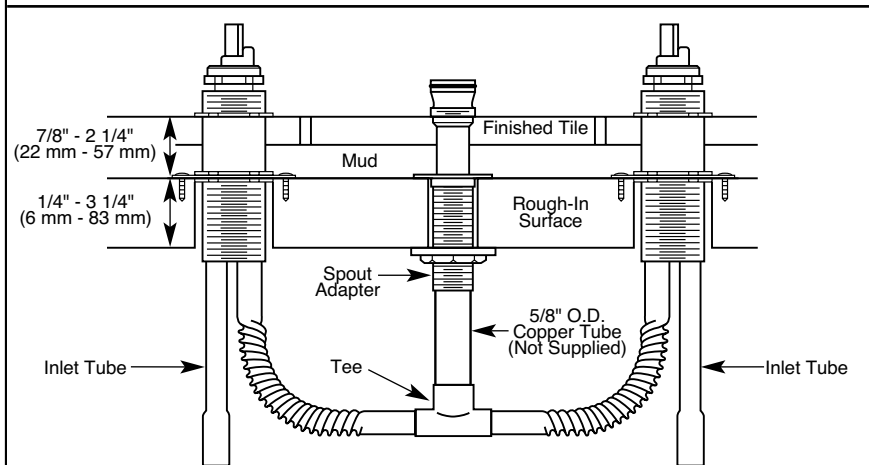
### ROUGH-IN KIT STANDARD SPECIFICATIONS:

- Washerless.
- Three hole installation.
- 5/8" O.D. copper supply inlet tubes.
- 5/8" O.D. corrugated copper supply outlet tubes.
- Widespread 16" (406 mm) maximum centers without using additional tubing.
- Flexible deck or ledge mount installation.
- Solid fabricated brass end valves and spout body.
- Control mechanism shall be of the rotating cylinder type with stainless steel plate and 180° rotation, with replaceable non-metallic seats operating in stainless steel lined sockets.
- Hot and cold stems are interchangeable.
- Temperature and volume controlled with handles.
- All operating parts shall be replaceable from the top.

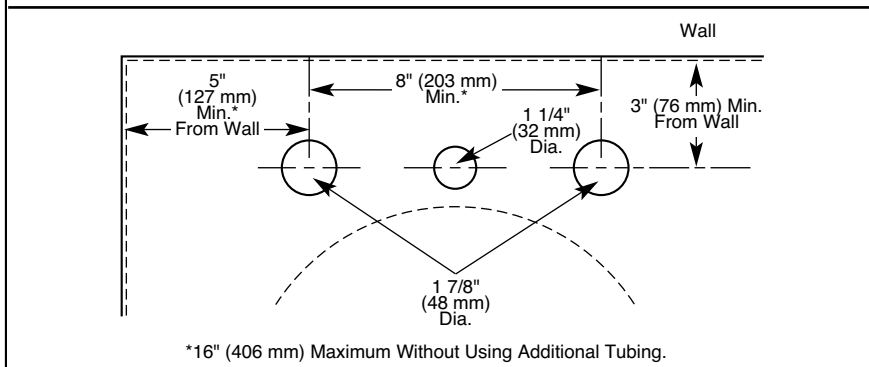
NOTE: See separate specification sheet for RP18227 and RP23601 conventional rough-in kit.



STANDARD THICK TILE INSTALLATION

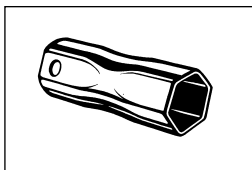


EXTENDED THICK TILE INSTALLATION (For Over 1 1/2" (38 mm) of Mud & Tile)



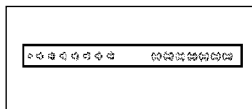
\*16" (406 mm) Maximum Without Using Additional Tubing.

**Rough-In Kits and Installation Aids:**



**RP16867**

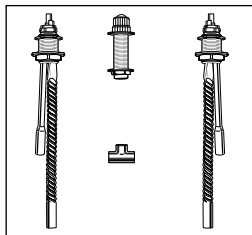
- End valve adjustment wrench (for RP18227 and RP18235 rough-in kits). Order RP16867.



**RP22132**

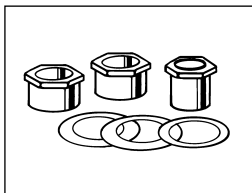
- The Helpful Hand for 4" (102 mm) to 16" (406 mm) centers—aligns widespread handles. Order RP22132.

**See Separate Specification Sheet For These Rough-In Kits**



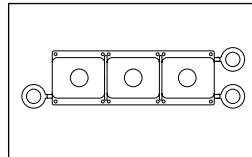
**RP18227**

- Conventional rough-in—adjusts to 1 1/4" (32 mm) maximum deck thickness. Order RP18227.



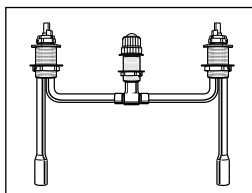
**RP5846/RP11099**

- Thick tile mounting aid—adds 1" (25 mm) to RP18227 only. Order RP5846 or RP11099 (bulk).



**RP27972/RP28009**

- Thick deck installation aid for RP18227 only. Rigid plastic template installs on deck prior to mud/tile. Order RP27972 or RP28009 (bulk).



**RP23601**

- 10" (254 mm) fixed conventional rough-in adjusts to 1 1/4" (32 mm) maximum deck thickness. Order RP23601.



Indianapolis, Indiana 46280  
A Division of Masco Corporation of Indiana  
© 2001 Masco Corporation of Indiana