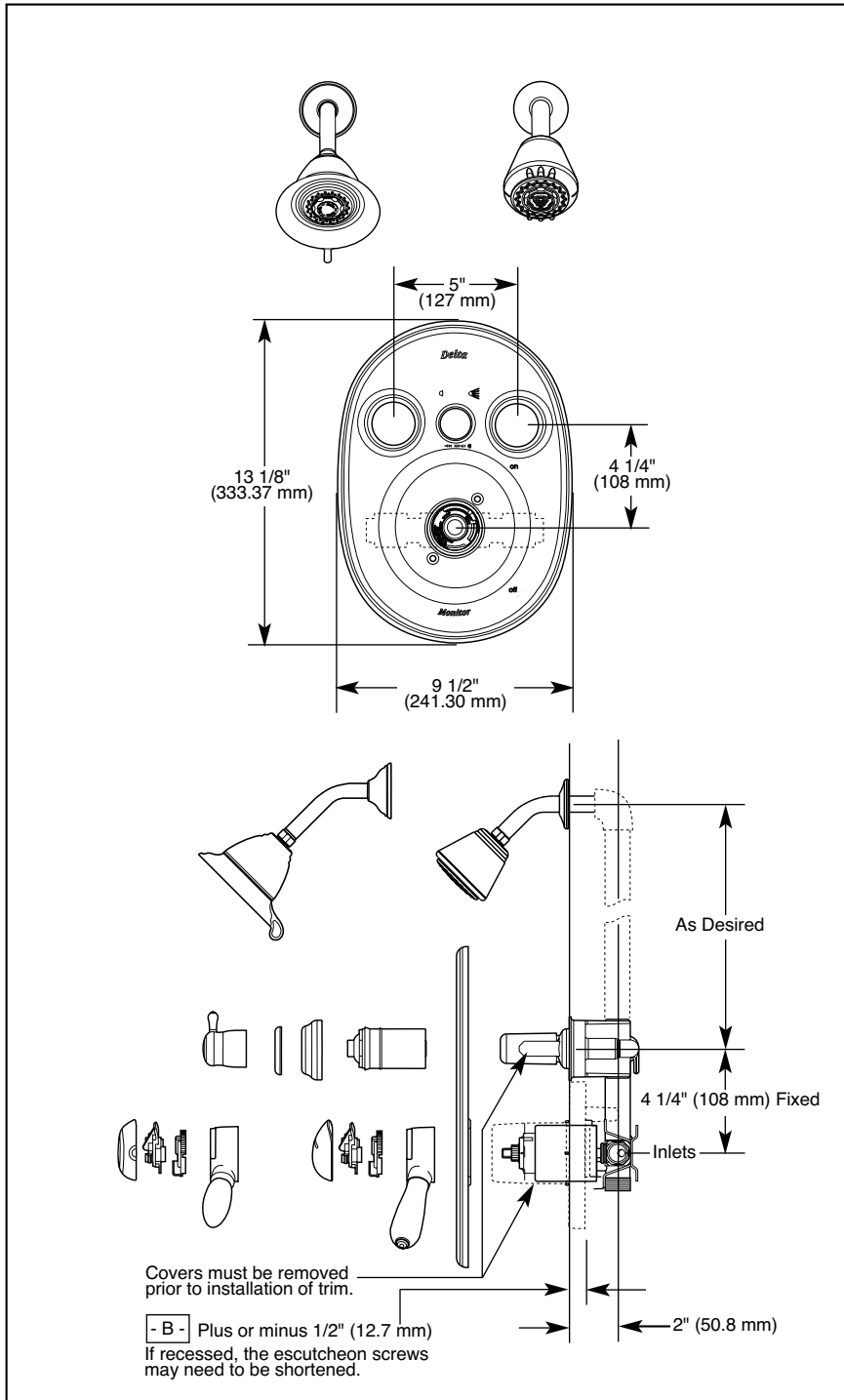


Submitted Model No.: _____

Specific Features: _____



DELTA SHOWER MIXING VALVES

- 1800 Series Jetted Shower™ System
- Trim Only
- Shower Only
- Rough Must be Ordered to Complete Installation
- Single Handle
- Jetted Shower with Monitor® Scald-Guard® Valve
- Pressure Balance
- Volume Controlled with Lever Handle
- Temperature Controlled with Dial
- Universal Trim Kit



COMPLETE VALVE COMPLIES WITH:

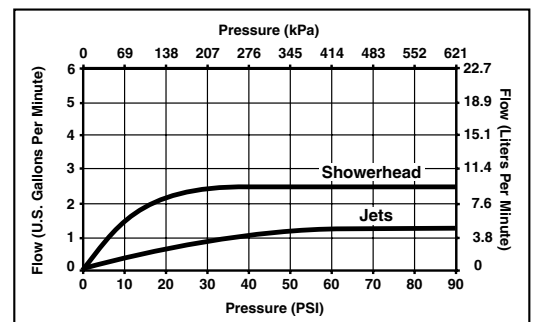
- ASME A112.18.1
- ASSE 1016
- CSA B125
- Showerhead GSA A-A-240
- Indicates ADA compliance to ICC/ANSI A117.1
- CSA Certified
- IAPMO Listed

ROUGH STANDARD SPECIFICATIONS:

- Requires 1 1/2" (38 mm) wall cavity.
- Back-to-back installation capability.
- Solid brass fabricated body.
- Jetted Shower with Monitor® Scald-Guard® valve. Maintains a balanced pressure of hot and cold water even when a valve is turned on or off elsewhere in the system.
- Maximum dial rotation adjustable between 90° and 180°.
- Field adjustable to limit handle rotation into hot water zone.
- Adjusts for up to 1" wall thickness.

TRIM STANDARD SPECIFICATIONS:

- Must have rough valve to have complete installation.
- Lever volume control handle; temperature adjustment dial.
- Red and Blue graphics indicate hot/cold temperature adjustment.
- Universal trim for 1800 series Jetted Shower and Jetted Shower XO rough valves.

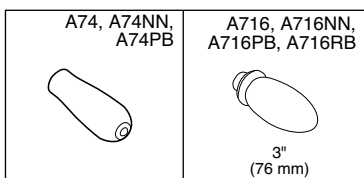


Standard Features	T1824	T1824-CB	T1824-NN	T1824-NP	T1824-PB	T1825	T1825-CB	T1825-NN	T1825-NP	T1825-PB	T1825-RB
Matching Finish Temperature Adjustment Dial	◆	◆	◆	◆	◆	◆	◆	◆	◆	◆	◆
Volume Control Finished Innovations Accent	◆	◆	◆	◆	◆						
Volume Control Finished Traditional Accent						◆	◆	◆	◆	◆	◆
Metal Shower Arm and Flange	◆	◆	◆	◆	◆	◆	◆	◆	◆	◆	◆
Non-Metallic Dual Spray Touch-Clean® Showerhead/2 Spray Patterns	◆	◆	◆	◆	◆						
Traditional Dual Spray Touch-Clean® Showerhead/2 Spray Patterns						◆	◆	◆	◆	◆	◆
Chrome Finish	◆					◆					
Chrome and <i>Brilliance</i> ® Polished Brass Finish		◆					◆				
<i>Brilliance</i> ® Polished Brass Finish					◆					◆	
<i>Brilliance</i> ® Pearl Nickel Finish			◆					◆			
<i>Brilliance</i> ® Pearl Nickel and <i>Brilliance</i> ® Polished Brass Finish				◆					◆		
Venetian Bronze™ Finish											◆

- Available Options for Field Conversion:**
- Screwdriver Stops. Order two RP5876s for I.P.S. or two RP6005s for C.W.T.
 - Shower Arm. Order RP6023▲.
 - Shower Flange. Order RP6025▲.
 - Non-Metallic Push Clean™ showerhead/1 spray pattern. Order RP28599▲.
 - Non-Metallic Touch-Clean® showerhead/1 spray pattern. Order RP28600▲.
 - Non-Metallic Dual Spray Touch-Clean® showerhead/2 spray patterns. Order RP28601▲.
 - Non-Metallic Ultimate Touch-Clean® showerhead/3 spray patterns. Order RP28602▲.
 - Brass shower arm diverter for hand shower. Order RP4239 (chrome only).
 - Personal hand shower with 24" vertical bar, 69" hose, vacuum breaker. Order RP32539 (chrome only).
 - Personal hand shower with 30" vertical bar, 69" hose, vacuum breaker. Order RP32541▲.
 - Personal hand shower with 69" hose, vacuum breaker and wall supply elbow. Order RP32538 (chrome only).
 - Personal hand shower with 69" hose, vacuum breaker and wall supply elbow. Order RP32540▲.
 - Metallic tub filler with pull-down diverter for 1/2" C.W.T. or 1/2" I.P.S. Order RP17454▲.
 - Non-metallic tub filler with pull-down diverter for 1/2" C.W.T. or 1/2" I.P.S. Order RP17453▲.
 - Non-metallic slip-on tub filler with pull-down diverter for 1/2" C.W.T. Order RP5836 (chrome only).
 - Metallic slip-on tub filler with pull-down diverter for 1/2" C.W.T. Order RP19581PB (*Brilliance*® polished brass only).
 - Metallic tub filler with pull-up diverter for 1/2" C.W.T. or 1/2" I.P.S. Order RP7533▲.
 - Non-metallic tub filler with pull-up diverter for 1/2" C.W.T. or 1/2" I.P.S. Order RP5834 (chrome only).
 - Non-metallic slip-on tub filler with pull-up diverter for 1/2" C.W.T. Order RP19820 (chrome only).
 - Metallic over-the-rim tub filler for 1/2" I.P.S. Order RP5833▲.
 - Metallic over-the-rim slip-on tub filler for 1/2" C.W.T. Order RP5835 (chrome only).
 - Bath waste assemblies and bath accessories also available separately.

▲ = Specify Finish † = Designates the accent color on split finish models.

*** Handle Accents**



Indianapolis, Indiana 46280
 A Division of Masco Corporation of Indiana
 © 2002 Masco Corporation of Indiana