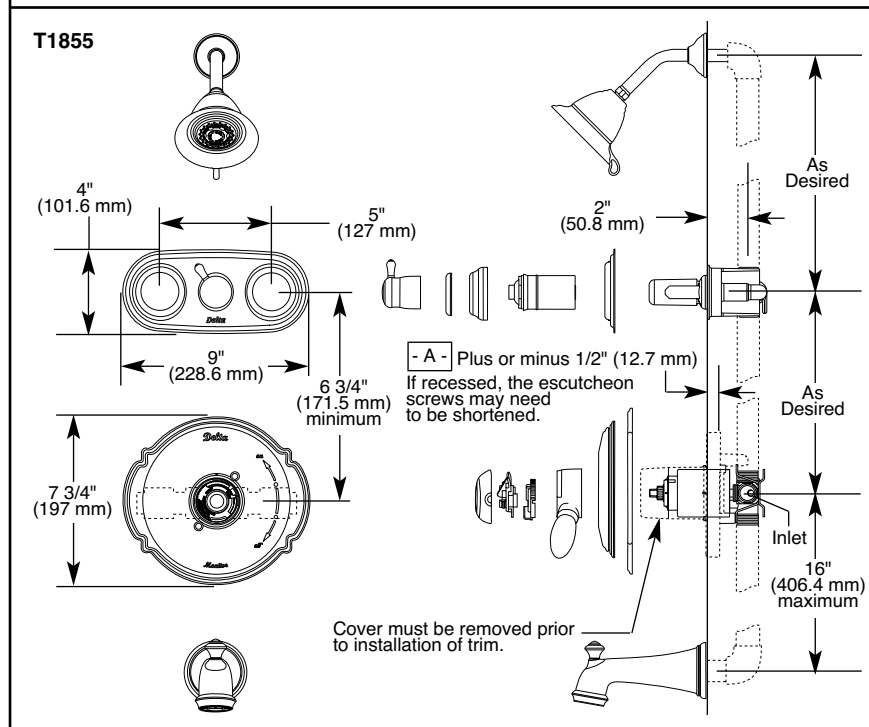
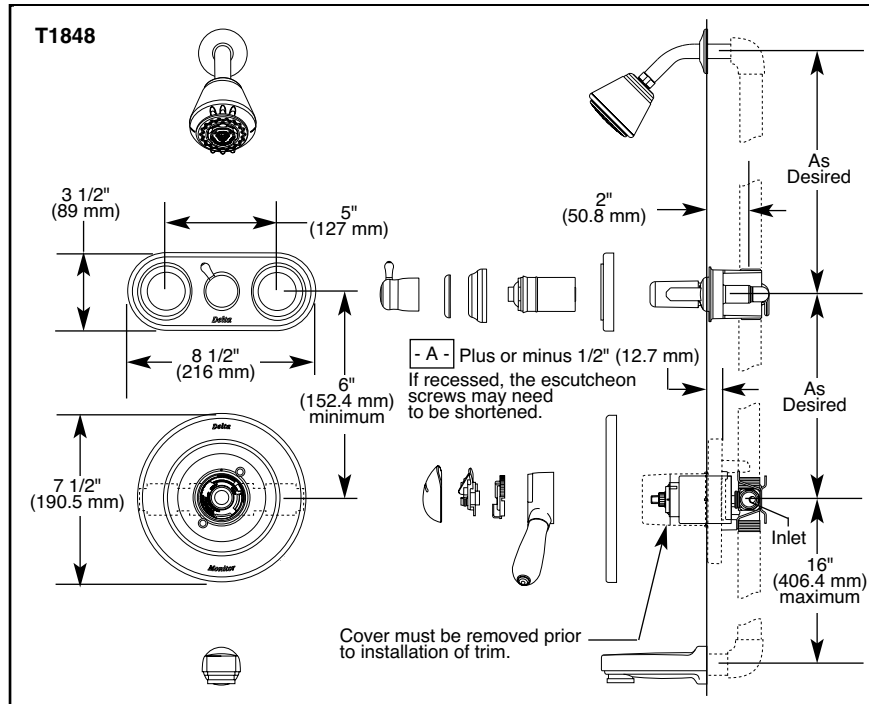


Submitted Model No.: _____

Specific Features: _____



DELTA[®]

BATH MIXING VALVES

- 1800 Series Jetted Shower™ System
- Trim Only
- Tub/Shower
- Rough Must be Ordered to Complete Installation
- Single Handle
- Jetted Shower with Monitor® Scald-Guard® Valve
- Pressure Balance
- Volume Controlled with Lever Handle
- Temperature Controlled with Dial
- Universal Trim Kit



COMPLETE VALVE COMPLIES WITH:

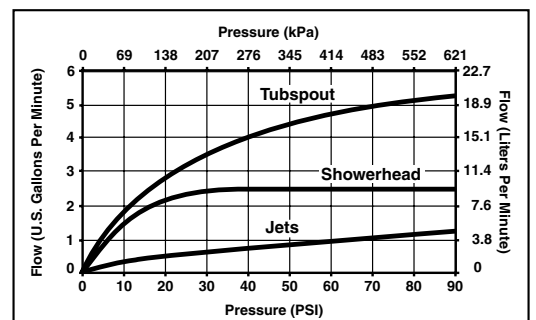
- ASME A112.18.1
- ASSE 1016
- CSA B125
- Showerhead GSA A-A-240
- Indicates ADA compliance to CABO/ANSI A117.1
- ASSE Seal Authorized
- CSA Certified
- IAPMO Listed

ROUGH STANDARD SPECIFICATIONS:

- Requires 1 1/2" (38 mm) wall cavity.
- Back-to-back installation capability.
- Solid brass fabricated body.
- Jetted Shower with Monitor® Scald-Guard® valve. Maintains a balanced pressure of hot and cold water even when a valve is turned on or off elsewhere in the system.
- Maximum dial rotation adjustable between 90° and 180°.
- Field adjustable to limit handle rotation into hot water zone.
- Adjusts for up to 1" wall thickness.

TRIM STANDARD SPECIFICATIONS:

- Must have rough valve to have complete installation.
- Lever volume control handle; temperature adjustment dial.
- Red and Blue graphics indicate hot/cold temperature adjustment.
- Universal trim for 1800 series Jetted Shower and Jetted Shower XO rough valves.



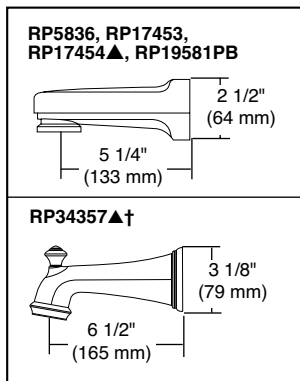
Delta reserves the right (1) to make changes in specifications and materials, and (2) to change or discontinue models, both without notice or obligation. Dimensions are for reference only.

Standard Features	T1848	T1848-CB	T1848-NN	T1848-NP	T1848-PB	T1855	T1855-CB	T1855-NN	T1855-NP	T1855-PB	T1855-RB
Non-Metallic Tub Filler with Pull-Down Diverter	◆	◆	◆	◆	◆						
Non-Metallic Tub Filler with Pull-Up Diverter						◆	◆	◆	◆	◆	◆
Volume Control Finished Victorian Accent						◆	◆	◆	◆	◆	◆
Volume Control Finished Innovations Accent	◆	◆	◆	◆	◆						
Metal Shower Arm and Flange	◆	◆	◆	◆	◆	◆	◆	◆	◆	◆	◆
Traditional Dual Spray Touch-Clean® Showerhead/2 Spray Patterns						◆	◆	◆	◆	◆	◆
Dual Spray Touch-Clean® Showerhead/2 Spray Patterns	◆	◆	◆	◆	◆						
Chrome Finish	◆					◆					
Chrome and <i>Brilliance</i> ® Polished Brass Finish		◆					◆				
<i>Brilliance</i> ® Polished Brass Finish					◆					◆	
<i>Brilliance</i> ® Pearl Nickel Finish			◆					◆			
<i>Brilliance</i> ® Pearl Nickel and <i>Brilliance</i> ® Polished Brass Finish				◆					◆		
Venetian Bronze™ Finish											◆

Available Options for Field Conversion:

- Screwdriver Stops. Order two RP5876s for I.P.S. or two RP6005s for C.W.T.
- Shower Arm. Order RP6023▲.
- Shower Flange. Order RP6025▲.
- Non-Metallic Push Clean™ showerhead/1 spray pattern. Order RP28599▲.
- Non-Metallic Touch-Clean® showerhead/1 spray pattern. Order RP28600▲.
- Non-Metallic Dual Spray Touch-Clean® showerhead/2 spray patterns. Order RP28601▲.
- Non-Metallic Ultimate Touch-Clean® showerhead/3 spray patterns. Order RP28602▲.
- Brass shower arm diverter for hand shower. Order RP4239 (chrome only).
- Personal hand shower with 24" vertical bar, 69" hose, vacuum breaker. Order RP32539 (chrome only).
- Personal hand shower with 30" vertical bar, 69" hose, vacuum breaker. Order RP32541▲.
- Personal hand shower with 69" hose, vacuum breaker and wall supply elbow. Order RP32538 (chrome only).
- Personal hand shower with 69" hose, vacuum breaker and wall supply elbow. Order RP32540▲.
- Metallic tub filler with pull-down diverter for 1/2" C.W.T. or 1/2" I.P.S. Order RP17454▲.
- Non-metallic tub filler with pull-down diverter for 1/2" C.W.T. or 1/2" I.P.S. Order RP17453 (chrome only).
- Non-metallic slip-on tub filler with pull-down diverter for 1/2" C.W.T. Order RP5836 (chrome only).
- Metallic slip-on tub filler with pull-down diverter for 1/2" C.W.T. Order RP19581PB (*Brilliance*® polished brass only).
- Metallic tub filler with pull-up diverter for 1/2" C.W.T. or 1/2" I.P.S. Order RP7533▲.
- Non-metallic tub filler with pull-up diverter for 1/2" C.W.T. or 1/2" I.P.S. Order RP5834 (chrome only).
- Non-metallic slip-on tub filler with pull-up diverter for 1/2" C.W.T. Order RP19820 (chrome only).
- Metallic over-the-rim tub filler for 1/2" I.P.S. Order RP5833▲.
- Metallic over-the-rim slip-on tub filler for 1/2" C.W.T. Order RP5835 (chrome only).
- Bath waste assemblies and bath accessories also available separately.

▲ = Specify Finish † = Designates the accent color on split finish models.



Indianapolis, Indiana 46280
A Division of Masco Corporation of Indiana
© 2001 Masco Corporation of Indiana