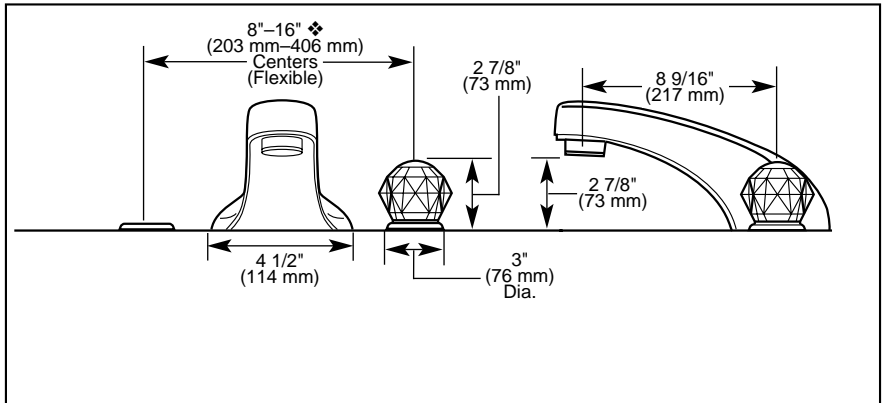


Submitted Model No.: _____
 Specific Features: _____



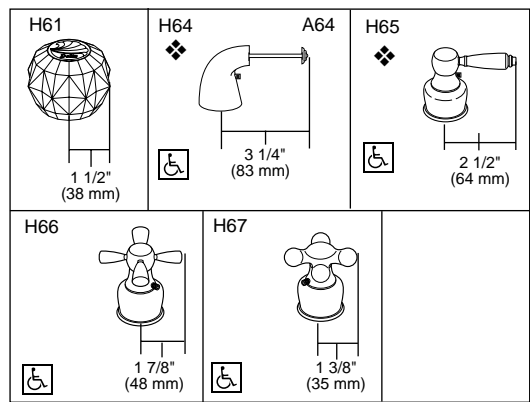
ROMAN TUB/WHIRLPOOL FAUCET TRIM

- Classic Series
- Two Handle Roman Tub Faucet
- Three Hole Installation (T2710 Series)
- Rough-In Kit Must Also be Ordered to Complete Installation

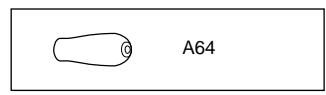
TRIM STANDARD SPECIFICATIONS:

- Trim Only for two handle Roman Tub faucet for concealed mounting.
- 8 9/16" (217 mm) long slip-on rigid spout.
- Clear knob handles with red/blue indicators, brass lever handles or LHP—Less Handle Program. See handle options below.
- Temperature and volume controlled with handles.
- 3" (76 mm) diameter handle bases.
- Rough-In kit must also be ordered to complete installation. There are separate specification sheets on each rough-in kit if more details are required.

Available LHP Handle Options ❖ For Lever Handles Use 10"-16" Centers.



Available LHP Handle Accent Options



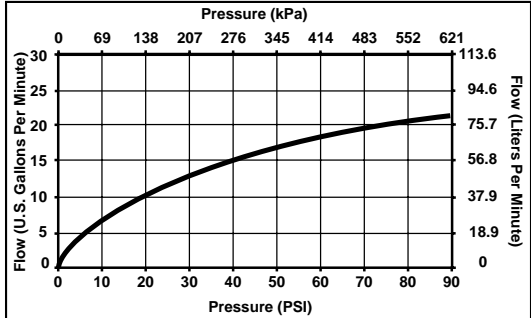
WARRANTY

- Lifetime Faucet and Finish Limited Warranty to the original consumer purchaser to be free from defects in material and workmanship.
- 5 Year Limited Warranty for usage in all industrial, commercial and business applications.



COMPLETE VALVE COMPLIES WITH:

- ASME A112.18.1 / CSA B125.1
- ☐ Indicates ADA compliance to ICC/ANSI A117.1



Indianapolis, Indiana 46280
 A Division of Masco Corporation of Indiana
 © 2006 Masco Corporation of Indiana

Delta reserves the right (1) to make changes in specifications and materials, and (2) to change or discontinue models, both without notice or obligation. Dimensions are for reference only. See current full-line price book for finish options and product availability.
 DSP-B-2710 Rev. C