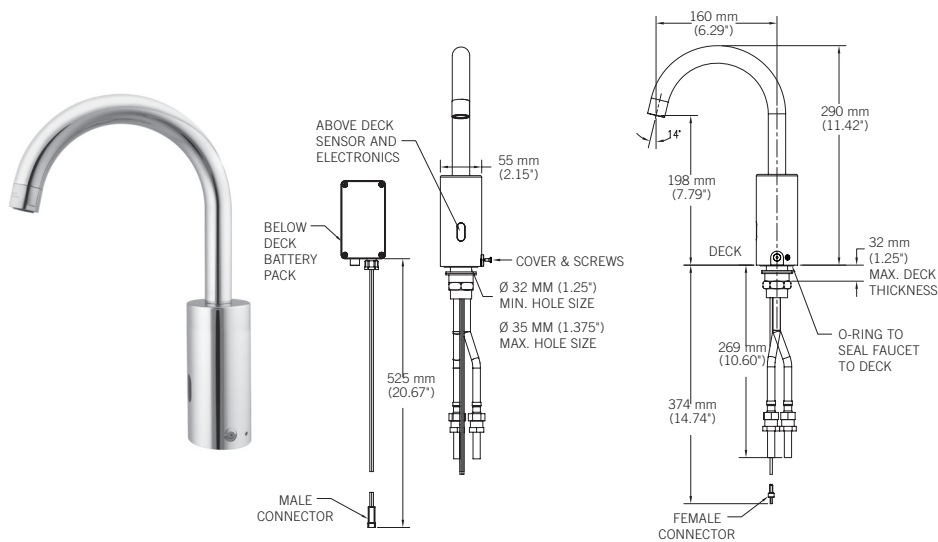


# DEMD Series Electronic Lavatory Faucets (Infrared)

**HDF**<sup>®</sup>  
COMMERCIAL



## DEMD-212LF (BATTERY OPERATED WITH TECHNICIAN MIXER)



### SPECIFICATION: (EXAMPLE)

#### □ DEMD-212LF

- Deck mount electronic lavatory faucet with technician's mixer to adjust temperature
- Chrome
- Sensor detects user's hand to activate water flow
- Six 1.5V batteries (included)
- Above deck electronics
- Red light indicator blinks when battery is low
- 0.5 gpm (1.9 L/min) spray outlet

### OPERATION

#### Sensing Range:

- Factory set to 8.0" ± 1.5" (200 mm ± 40 mm)
- Adjustable from 3.15" to 11.8" (80 mm to 300 mm) with optional remote control

#### Maximum Run Time:

- 90 seconds, adjustable with remote control

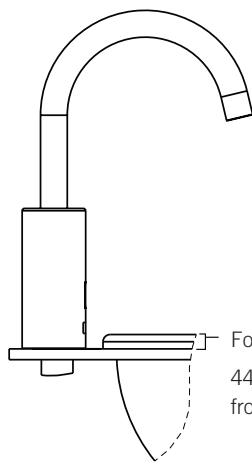
### OPTIONAL ACCESSORIES

#### (Order Separately)

#### □ 060967A

- Remote Control – allows adjustment of sensor range, maximum run time, delayed close time, temporary shutoff for cleaning and factory settings reset

### SENSOR CLEARANCE



For above deck mounted sinks, the sensor requires a clearance.

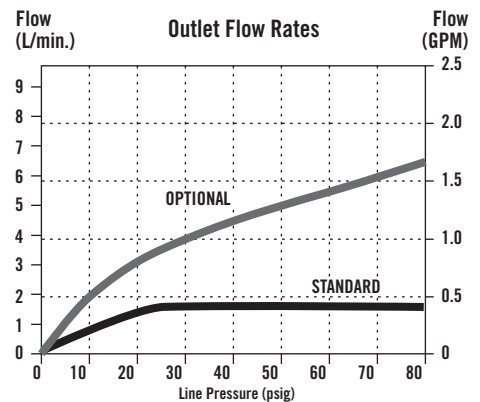
For sensor clearance:  
44 mm (1.75") maximum sink lip height from deck.

### HARDWIRE CONVERSION OF DEMD-212LF

Requires SEPARATE order of either:

- A** One 060958A DEMD plug in power supply, output 9VDC  
PLUS One 061014A adaptor kit
- OR**
- B** One 060704A hardwire 20VA transformer (120VAC to 24VAC)  
PLUS One 060974A DEMD converter (24VAC to 9VDC)  
PLUS One 061014A adaptor kit

### FLOW RATE vs PRESSURE



### APPROVALS:



- IAPMO certified
- Complies to ASME A112.18.1/CSA B125.1
- Indicates compliance to ICC/ANSI A117.1
- Verified compliant with 0.25% weighted average Pb content regulations

(Contact Delta Representative for State and/or Local Approvals.)

Note: Measurements may vary ± 6mm (0.25")

Refer to [www.specselect.com](http://www.specselect.com) for individual models.

Note: Use this page front and back as a product submittal sheet.