

KITCHEN FAUCETS

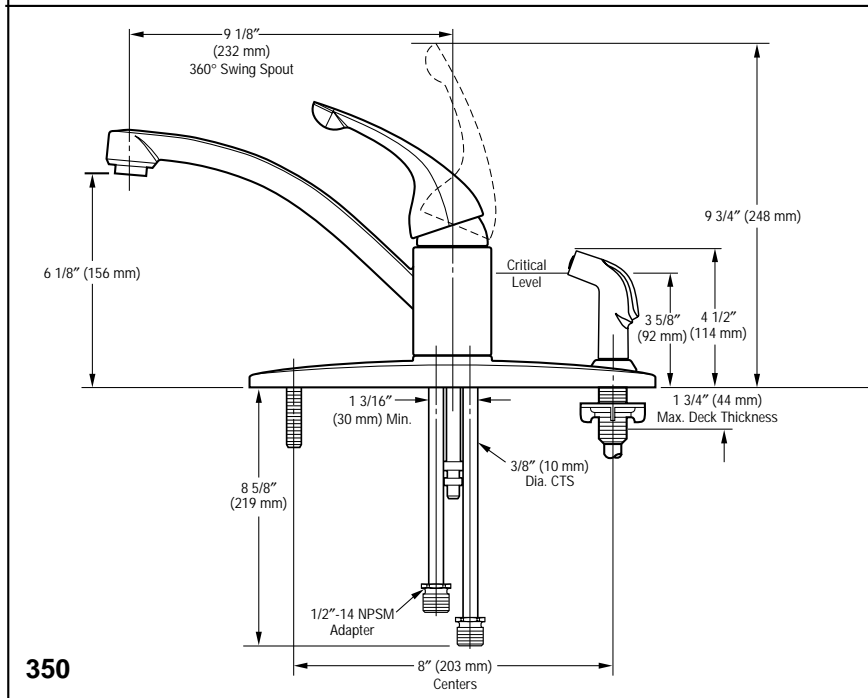
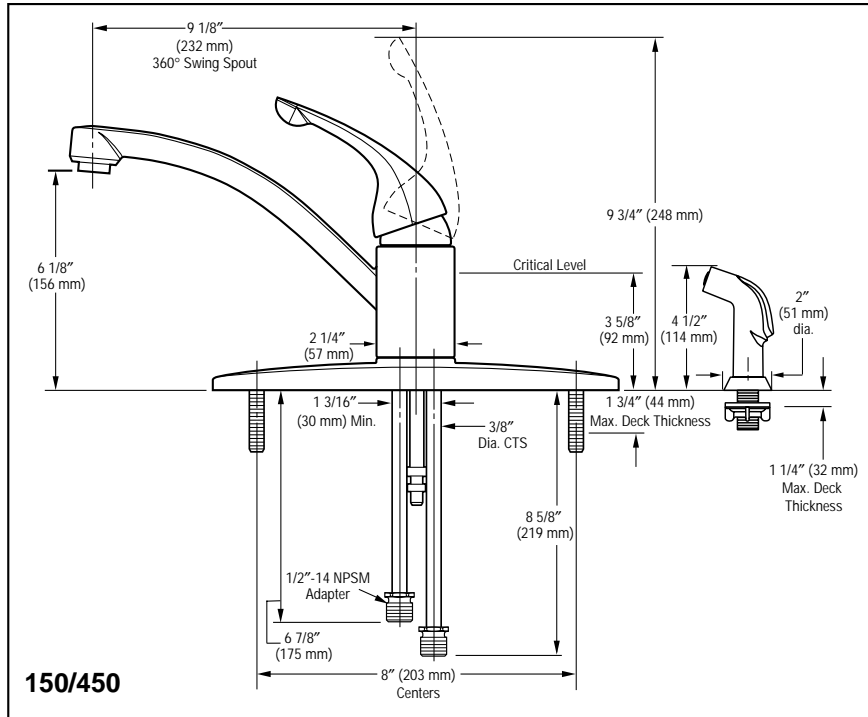
- Gourmet® Series
- Single Handle Deck Mount
- 3 and 4 Hole Sink Applications
- Quick Snap® Vegetable Sprayer Hose Installation on Models 350 and 450 Series

Submitted Model No.: _____

Specific Features: _____

STANDARD SPECIFICATIONS:

- Solid brass fabricated body.
- 9 1/8" (232 mm) long spout swings 360°.
- Lever handle. Control mechanism shall be of the rotating stainless steel ball type with replaceable non-metallic seats operating in stainless steel lined sockets.
- Red/blue graphics on handle button to indicate hot/cold temperature.
- Control handle shall return to neutral position when valve is turned off.
- Model 350 and 450 series with spray attachment has anti-siphon device as integral part of valve body.
- Model 150 and 450 series can be field converted from 8" to 6" centers.
- Quick Snap® vegetable sprayer hose with matching finish sprayhead on models 350 and 450 series - 45" (1143mm) long hose.
- 3/8" O.D. straight, staggered copper tube inlets - 6 7/8" (175mm) & 8 5/8" (219mm) long with 1/2" - 14 NPSM adapters

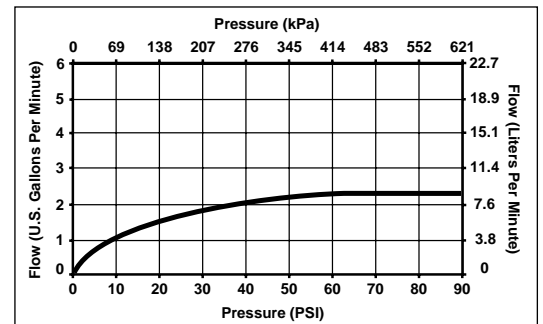


WARRANTY

- Lifetime Faucet and Finish Limited Warranty to the original consumer purchaser to be free from defects in material and workmanship.
- 5 Year Limited Warranty for usage in all industrial, commercial and business applications.

COMPLIES WITH:

- ASME A112.18.1 / CSA B125.1
- Indicates ADA compliance to ICC/ANSI A117.1
- IAPMO Listed
- CSA Certified



Indianapolis, Indiana 46280
 A Division of Masco Corporation of Indiana
 © 2006 Masco Corporation of Indiana

Delta reserves the right (1) to make changes in specifications and materials, and (2) to change or discontinue models, both without notice or obligation. Dimensions are for reference only. See full-line price book for finish options and product availability.

DSP-K-150 Rev. E