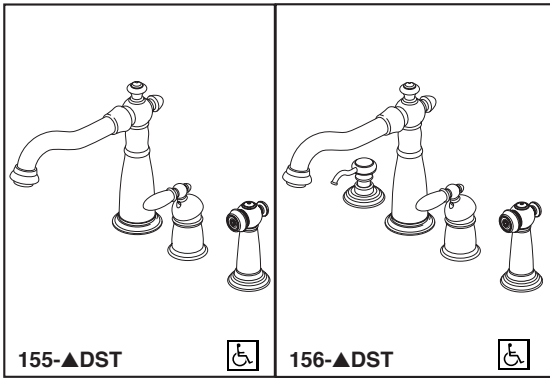




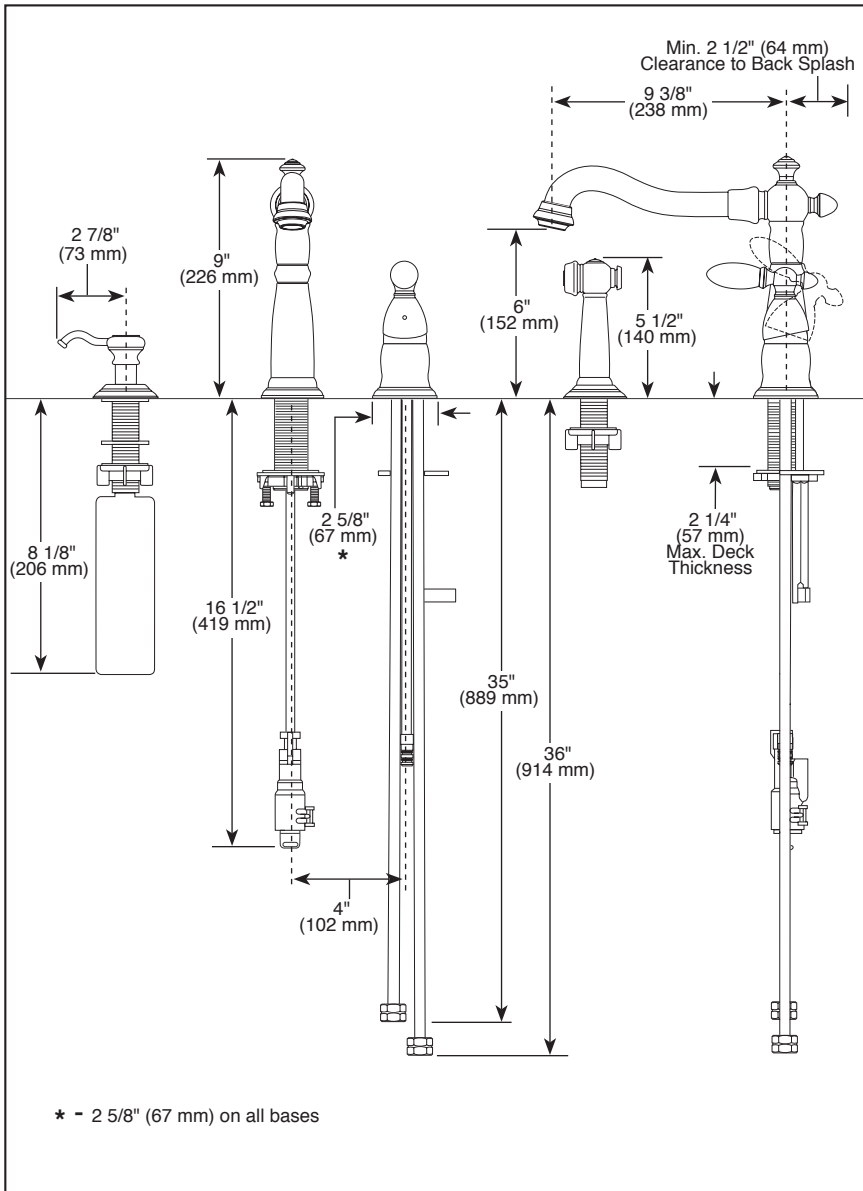
KITCHEN FAUCETS

- Victorian® Series
- Single Handle Widespread Deck Mount
- 3 and 4 Hole Sink Applications
- Quick Snap® Hose Installation



Submitted Model No.: _____

Specific Features: _____



▲ Designate Proper Finish Suffix

STANDARD SPECIFICATIONS:

- 3/8" O.D. straight, staggered pex supply tubes - 35" (889 mm) and 36" (914 mm) long.
- 9 3/8" (238 mm) long, 9" (229 mm) high spout swings 180°.
- Control handle shall return to neutral position when valve is turned off.
- Spray attachment has anti-siphon device as integral part of valve.
- Quick Snap® hose installation.
- Vegetable sprayer with matching finish sprayhead - 45" (1143mm) long hose.
- Recommended hole sizes 1 3/8" (35 mm) on 4" (102 mm) centers.
- Red/blue graphics on handle button to indicate hot/cold temperature.
- Control mechanism is a diamond coated ceramic cartridge.
- Standard 3/8" (10 mm) compression gasket fittings.
- Max. 1.80 gpm @ 60 psi, 6.8 L/min @ 414 kPa

WARRANTY

- Lifetime limited warranty on parts (other than electronic parts and batteries) and finishes: or, for commercial users, for 5 years from date of purchase.
- 5 year limited warranty on electronic parts (other than batteries); or, for commercial users, for 1 year from the date of purchase. No warranty is provided on batteries.

COMPLIES WITH:

- ASME A112.18.1 / CSA B125.1
- ASME A112.18.6
- Indicates compliance to ICC/ANSI A117.1
- Verified compliant with .25% weighted average Pb content regulations.

Delta reserves the right (1) to make changes in specifications and materials, and (2) to change or discontinue models, both without notice or obligation. Dimensions are for reference only. See current full-line price book or www.deltafaucet.com for finish options and product availability.

DSP-K-155-DST Rev. D



55 E. 111th Street, Indianapolis, Indiana 46280
350 South Edgeware Road, St. Thomas, ON N5P 4L1
© 2015 Masco Corporation of Indiana