

DELTA

KITCHEN FAUCETS

- Innovations® Series
- Single Handle Deck Mount
- 3 and 4 Hole Sink Applications
- Quick Snap® Vegetable Sprayer Hose Installation on Models 380 and 480 Series

Submitted Model No.: _____

Specific Features: _____

STANDARD SPECIFICATIONS:

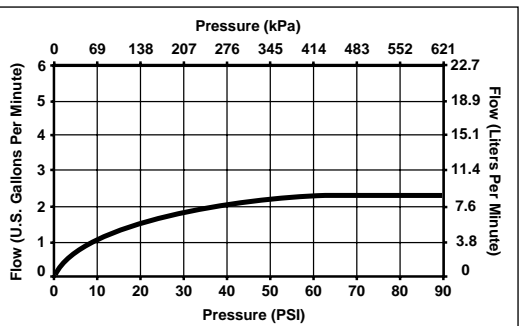
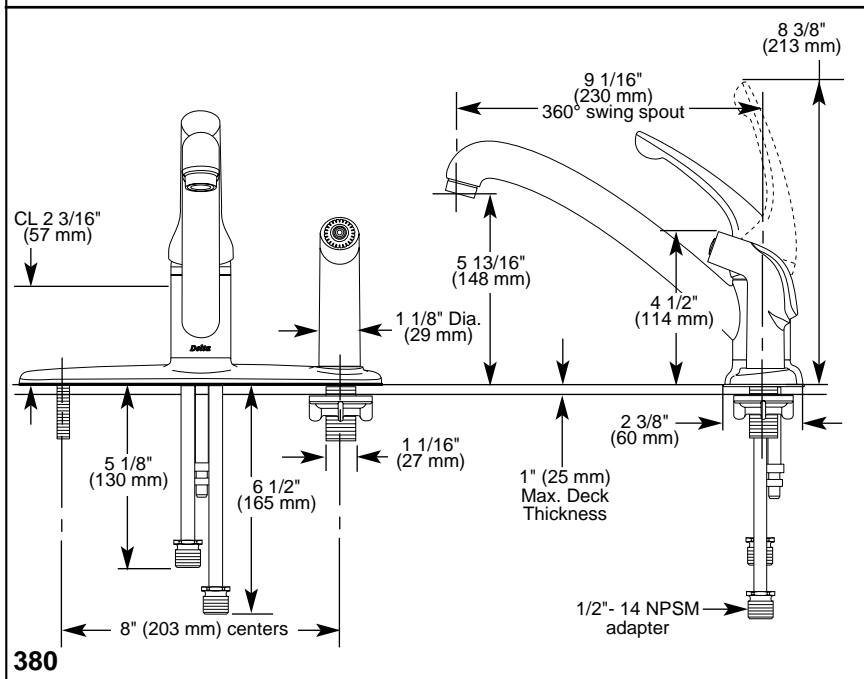
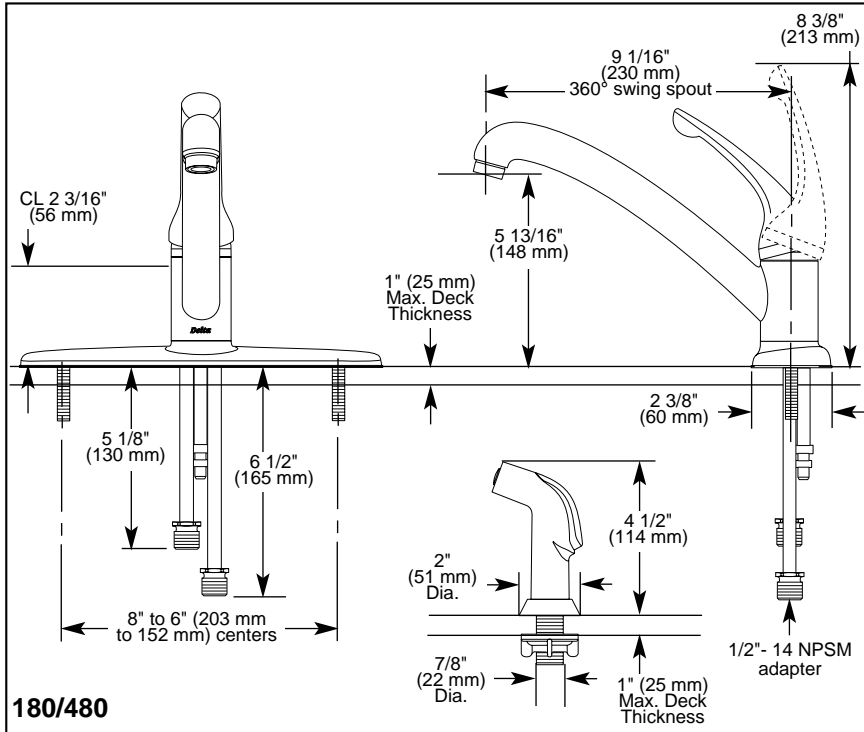
- Solid brass fabricated body.
- 9 1/16" (230 mm) long spout swings 360°.
- Lever handle shall return to neutral position when faucet is turned off.
- Red and blue button on handle.
- Control mechanism shall be of the rotating stainless steel ball type with replaceable non-metallic seats operating in stainless steel lined sockets.
- Models 380 and 480 series with spray attachment have anti-siphon device as integral part of valve body.
- Models 180 and 480 series can be field converted from 8" (203 mm) to 6" (152 mm) centers. RP238 mounting bolts available separately.
- Quick Snap® vegetable sprayer hose with matching finish sprayhead on models 380 and 480 series - 45" (1143mm) long hose.
- 3/8" O.D. straight, staggered copper supply tubes - 5 1/8" (130 mm) and 6 1/2" (165 mm) long supplied with 1/2"-14 NPSM adapters.

WARRANTY

- Lifetime Faucet and Finish Limited Warranty to the original consumer purchaser to be free from defects in material and workmanship.
- 5 Year Limited Warranty for usage in all industrial, commercial and business applications.

COMPLIES WITH:

- ASME A112.18.1 / CSA B125.1
- ♿ Indicates ADA compliance to ICC/ANSI A117.1
- IAPMO Listed
- CSA Certified



DELTA

FAUCET COMPANY

Indianapolis, Indiana 46280
 A Division of Masco Corporation of Indiana
 © 2006 Masco Corporation of Indiana

Delta reserves the right (1) to make changes in specifications and materials, and (2) to change or discontinue models, both without notice or obligation. Dimensions are for reference only. See current full-line price book for finish options and product availability.