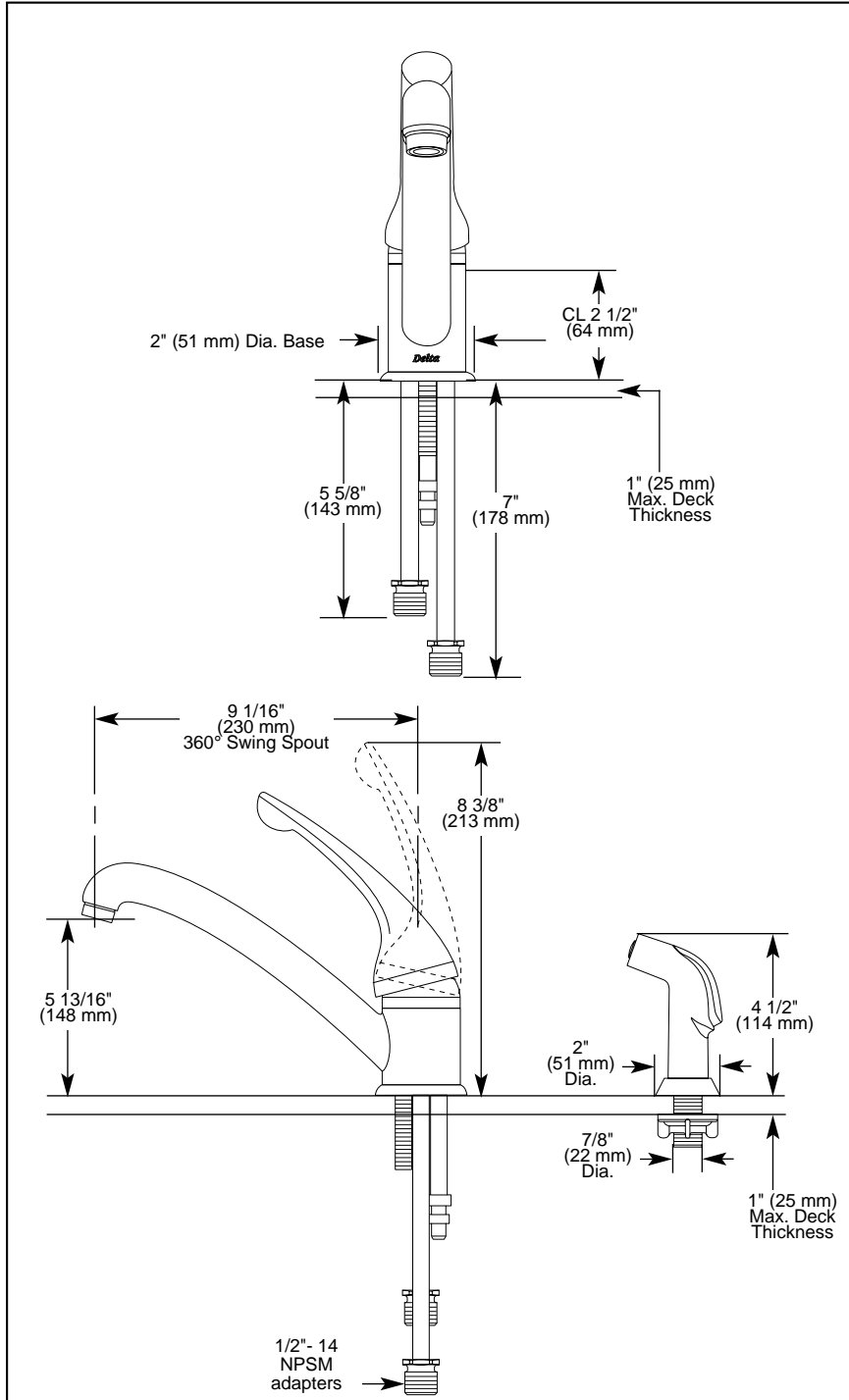


Submitted Model No.: _____

Specific Features: _____



Delta reserves the right (1) to make changes in specifications and materials, and (2) to change or discontinue models, both without notice or obligation. Dimensions are for reference only. See current full-line price book for finish options and product availability.

DSP-K-181 Rev. D



KITCHEN FAUCETS

- Innovations® Series
- Single Handle Deck Mount
- Single and 2 Hole Sink Applications
- Quick Snap® Vegetable Sprayer Hose Installation on Model 481 Series

STANDARD SPECIFICATIONS:

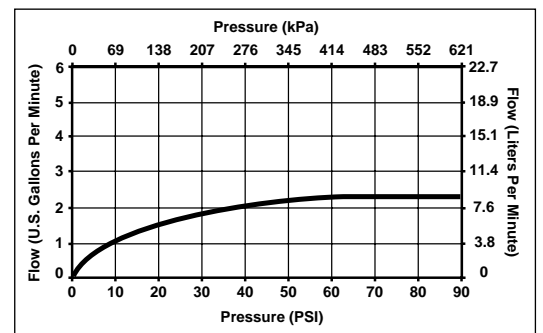
- Solid brass fabricated body.
- 9 1/16" (230 mm) long spout swings 360°.
- Lever handle shall return to neutral position when faucet is turned off.
- Red and blue button on handle.
- Control mechanism shall be of the rotating stainless steel ball type with replaceable non-metallic seats operating in stainless steel lined sockets.
- Model 481 series with spray attachment has anti-siphon device as integral part of valve body.
- Quick Snap® vegetable sprayer hose with matching finish sprayhead on model 481 series - 45" (1143mm) long hose.
- 3/8" O.D. straight, staggered copper supply tubes - 5 5/8" (143 mm) and 7" (178 mm) long supplied with 1/2"- 14 NPSM adapters.

WARRANTY

- Lifetime Faucet and Finish Limited Warranty to the original consumer purchaser to be free from defects in material and workmanship.
- 5 Year Limited Warranty for usage in all industrial, commercial and business applications.

COMPLIES WITH:

- ASME A112.18.1 / CSA B125.1
- ☞ Indicates ADA compliance to ICC/ANSI A117.1
- IAPMO Listed
- CSA Certified



Indianapolis, Indiana 46280
A Division of Masco Corporation of Indiana
© 2006 Masco Corporation of Indiana