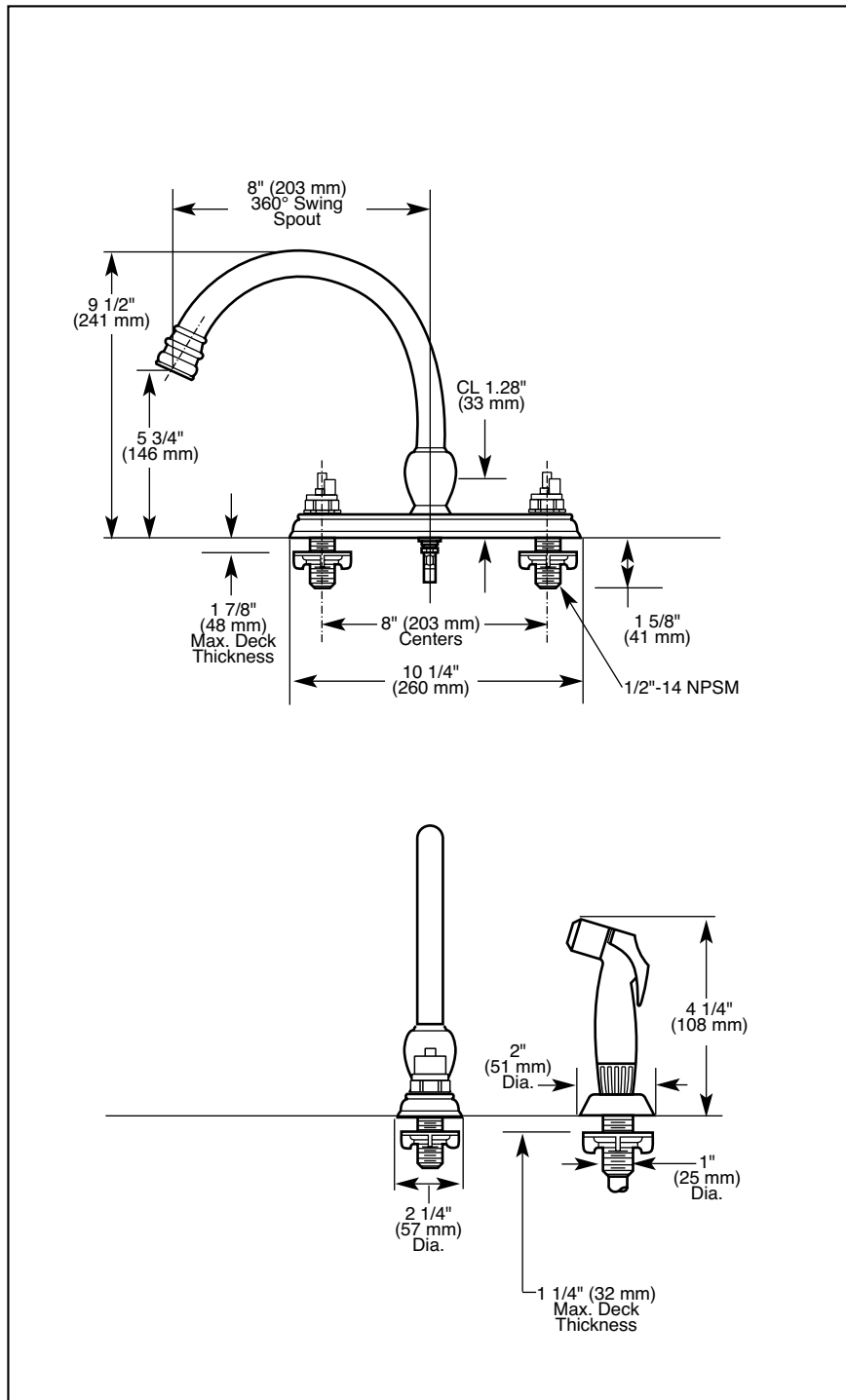


Submitted Model No.: \_\_\_\_\_

Specific Features: \_\_\_\_\_



# KITCHEN FAUCETS

- Two Handle
- NEO STYLE® Series
- LHP-Less Handle Program
- Deck Mount
- 8" Centers
- 3 and 4 Hole Sink Applications



UL Listed to US and Canadian Safety Standards and Classified in accordance with ANSI/NSF 61 21PL

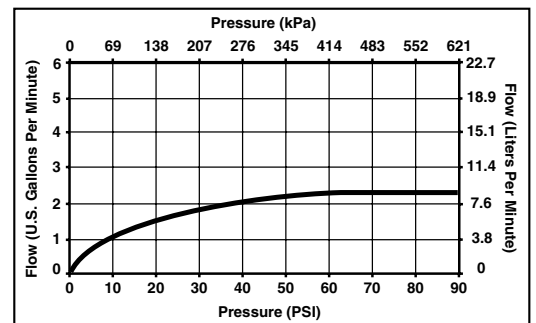


### COMPLIES WITH:

- ASME A112.18.1M-1996
- CSA B125-93
- Indicates ADA compliance to CABO/ANSI A117.1-1992
- IAPMO Listed
- CSA Certified
- City of L.A. approved (2467-LHP Series)

### STANDARD SPECIFICATIONS:

- Two handle kitchen deck faucets for exposed mounting on three and four hole sinks.
- Solid brass fabricated body
- 8" (203 mm) centers.
- 8" (203 mm) long, 9 1/2" (241 mm) high spout swings 360°.
- LHP-Less Handle Program—see handle kit options on back.
- Hot and cold stems are interchangeable.
- Control mechanism shall be of the rotating cylinder type with stainless steel plate and 180° rotation, with replaceable non-metallic seats operating in stainless steel lined sockets.
- 1/2" I.P.S. threaded male inlet shanks.
- Model 2467-LHP Series with spray attachment has anti-siphon device as integral part of valve body.



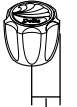
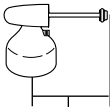
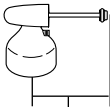


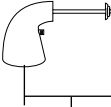
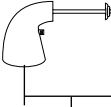
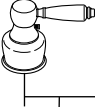
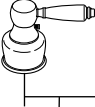


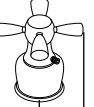
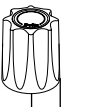
Delta reserves the right (1) to make changes in specifications and materials, and (2) to change or discontinue models, both without notice or obligation. Dimensions are for reference only.

Standard Features	2167-LHP	2167-CBLHP	2167-PBLHP	2167-WCLHP	2167-WPLHP	2467-LHP	2467-APLHP	2467-CBLHP	2467-PBLHP	2467-WCLHP	2467-WPLHP
Washerless	◆	◆	◆	◆	◆	◆	◆	◆	◆	◆	◆
Three Hole Installation	◆	◆	◆	◆	◆						
Four Hole Installation						◆	◆	◆	◆	◆	◆
8" (203 mm) Centers	◆	◆	◆	◆	◆	◆	◆	◆	◆	◆	◆
8" (203 mm) Long, 9 1/2" (241 mm) High Spout Swings 360°	◆	◆	◆	◆	◆	◆	◆	◆	◆	◆	◆
Less Handle Program See Handle Kit Options*	◆	◆	◆	◆	◆	◆	◆	◆	◆	◆	◆
45" (1143 mm) Hose & Spray Assembly						◆	◆	◆	◆	◆	◆
White Sprayhead						◆	◆	◆	◆	◆	◆
1/2" I.P.S. Threaded Male Inlet Shanks	◆	◆	◆	◆	◆	◆	◆	◆	◆	◆	◆
Chrome Finish	◆					◆					
Almond & <i>Brilliance</i> ™ Polished Brass Finish							◆				
Chrome & <i>Brilliance</i> ™ Polished Brass Finish		◆						◆			
<i>Brilliance</i> ™ Polished Brass Finish			◆						◆		
White & Chrome Finish				◆						◆	
White & <i>Brilliance</i> ™ Polished Brass Finish					◆						◆









Available Options for Field Conversion:

- Swivel aerator. Order RP2189 (chrome only).

**\*Available LHP Handle Options**

H21  1" (25 mm)	H22  2 1/2" (64 mm)	A22  2 1/2" (64 mm)	H23  1" (25 mm)	A23  1" (25 mm)	H24  3 1/4" (83 mm)	A24  3 1/4" (83 mm)	H25  2 1/2" (64 mm)	A25  2 1/2" (64 mm)	
H27  1 1/4" (32 mm)	H41  1 3/8" (35 mm)	H46  1 1/4" (32 mm)	H48  1" (25 mm)						

**\*Available LHP Handle Accent Options**

 A22CL	 A24CL
 A22, A22AL, A22PB, A22PR, A22WH	 A24, A24AL, A24PB, A24WH
 A22OK, A22RS, A22WW	 A23ST
 A23, A23AL, A23PB, A23WH	 A23OK



Indianapolis, Indiana 46280  
A Division of Masco Corporation of Indiana  
© 2001 Masco Corporation of Indiana