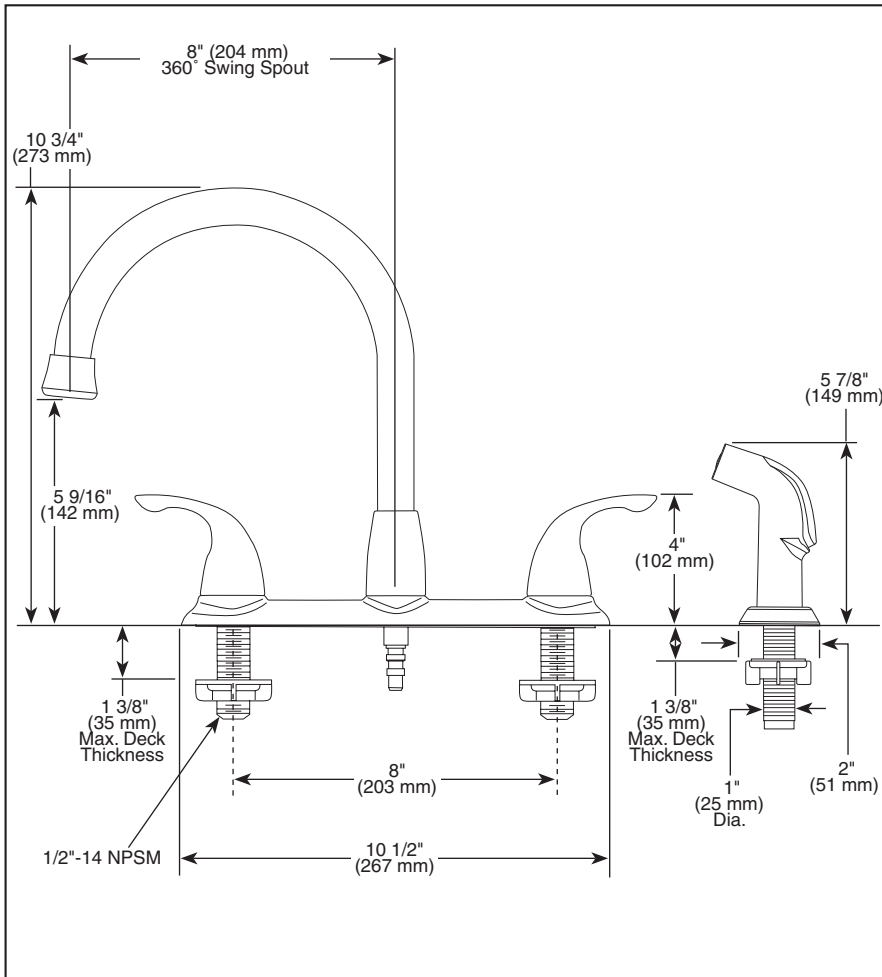


21911LF ▲



Submitted Model No.: _____

Specific Features: _____



▲ = Designate Proper Finish Suffix



KITCHEN FAUCETS

- Classic Collection
- Two Handle Deck Mount
- 4 Hole Sink Application

STANDARD SPECIFICATIONS:

- Solid brass fabricated body.
- 8" (203 mm) centers.
- 8" (204 mm) long, 10 3/4" (273 mm) high, spout swings 360°.
- Metal lever handles with 1/4" turn stops.
- Hot and cold stems are interchangeable.
- Control mechanism shall be of the rotating cylinder type with stainless steel plate and with replaceable non-metallic seats operating in stainless steel lined sockets.
- 1/2" I.P.S. threaded male inlet shanks.
- Model 21911LF Series with spray attachment has anti-siphon device as integral part of valve body.

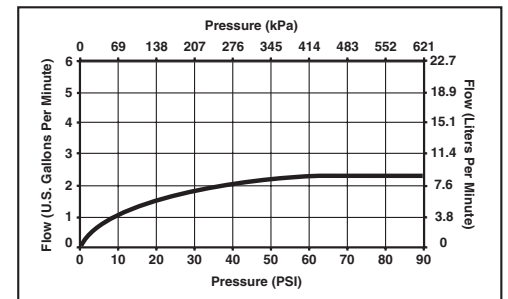
WARRANTY

- Lifetime Faucet and Finish Limited Warranty to the original consumer purchaser to be free from defects in material and workmanship.
- 5 Year Limited Warranty for usage in all industrial, commercial and business applications.



COMPLIES WITH:

- ASME A112.18.1 / CSA B125.1
- Indicates compliance to ICC/ANSI A117.1
- Meets 0.25% weighted average lead content regulations.



55 E. 111th Street, Indianapolis, Indiana 46280
 395 Matheson Blvd. E., Mississauga, ON L4Z 2H2
 © 2009 Masco Corporation of Indiana

Delta reserves the right (1) to make changes in specifications and materials, and (2) to change or discontinue models, both without notice or obligation. Dimensions are for reference only. See current full-line price book or www.specselect.com for finish options and product availability.

DSP-K-21911LF Rev. A