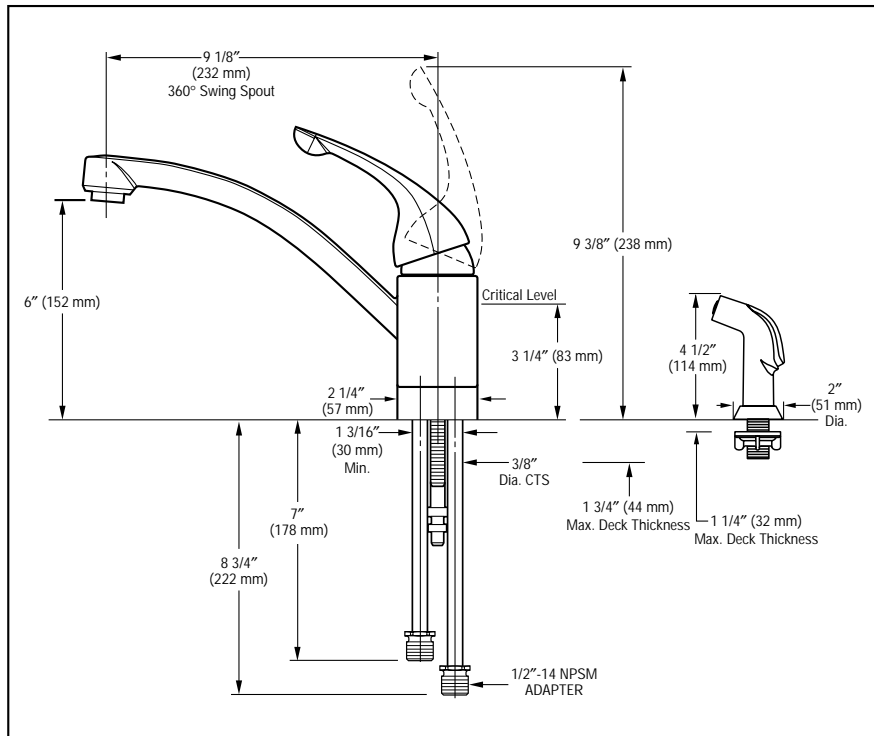




451-WF

Submitted Model No.: \_\_\_\_\_

Specific Features: \_\_\_\_\_



## KITCHEN FAUCETS

- Gourmet® Series
- Single Handle Deck Mount
- 2 Hole Sink Applications
- Quick Snap® Vegetable Sprayer Hose Installation on Model 451 Series

### STANDARD SPECIFICATIONS:

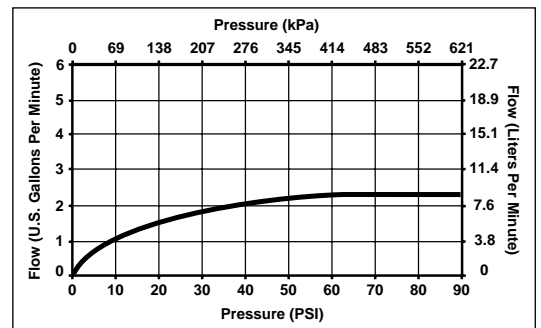
- Solid brass fabricated body.
- 9 1/8" (232 mm) long spout swings 360°.
- Lever handle. Control mechanism shall be of the rotating stainless steel ball type with replaceable non-metallic seats operating in stainless steel lined sockets.
- Red/blue graphics on handle button to indicate hot/cold temperature.
- Control handle shall return to neutral position when valve is turned off.
- Model 451 series with spray attachment has anti-siphon device as integral part of valve body.
- Quick Snap® vegetable sprayer hose installation on model 451 series.
- Models with suffix "WF" supplied with 1/2"-14 NPSM adapters.

### WARRANTY

- Lifetime Faucet and Finish Limited Warranty to the original consumer purchaser to be free from defects in material and workmanship.
- 5 Year Limited Warranty for usage in all industrial, commercial and business applications.

### COMPLIES WITH:

- ASME A112.18.1/ CSA B125.1
- ANSI/NSF61 Section 9
- Indicates ADA compliance to ICC/ANSI A117.1
- IAPMO Listed
- CSA Certified



Delta reserves the right (1) to make changes in specifications and materials, and (2) to change or discontinue models, both without notice or obligation. Dimensions are for reference only. See current full-line price book for finish options and product availability.



Indianapolis, Indiana 46280  
A Division of Masco Corporation of Indiana  
© 2006 Masco Corporation of Indiana