



see what Delta can do™

KITCHEN FAUCETS

- Stryke™ Collection
- Single Handle Pull-Down

FEATURES:

- DIAMOND Seal® Technology
- Touch-Clean® Technology
- MagnaTite® Docking System
- Touch2O® Technology
- Lumicoat™ Finish (metallic finishes only)

STANDARD SPECIFICATIONS:

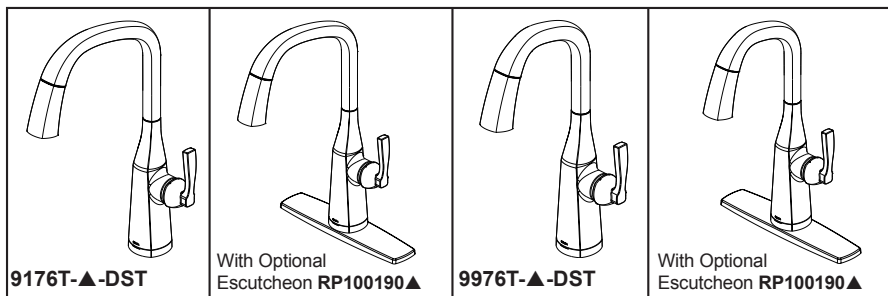
- Max flow rate 1.8 gpm @ 60 psi, 6.8 L/min @ 414 kPa
- One or three hole mount (8" escutcheon not included, order separately)
- Diamond coated ceramic cartridge
- 3/8" O.D. straight, staggered PEX supply lines
- Spout rotates 360°
- Hot/cold indicator markings
- Dual integral check valves in sprayer assembly
- Two-function wand; Aerated stream or spray
- LED indicator light signals on-off, water temperature and low batteries
- Uses 6 AA (included) or 6 C (optional) batteries

WARRANTY

- Parts and Finish - Lifetime limited warranty; or for commercial purchasers, 10 years for multi-family residential (apartments and condominiums) and 5 years for all other commercial uses, in each case from the date of purchase.
- Electronic Parts and Batteries (if applicable) - 5 years from the date of purchase; or for commercial purchasers, 1 year from the date of purchase. No warranty is provided on batteries.

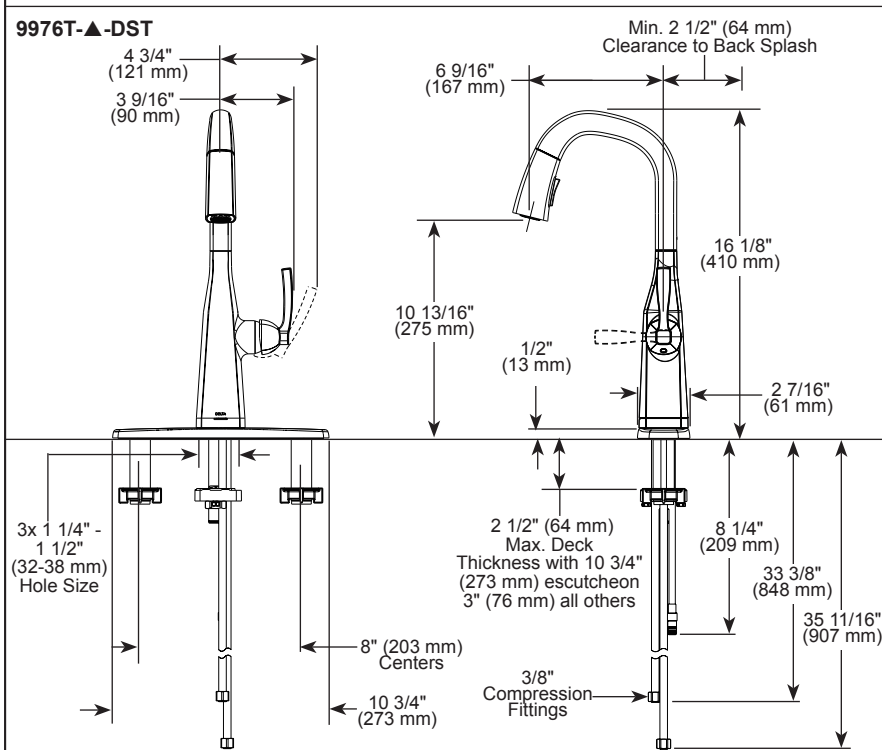
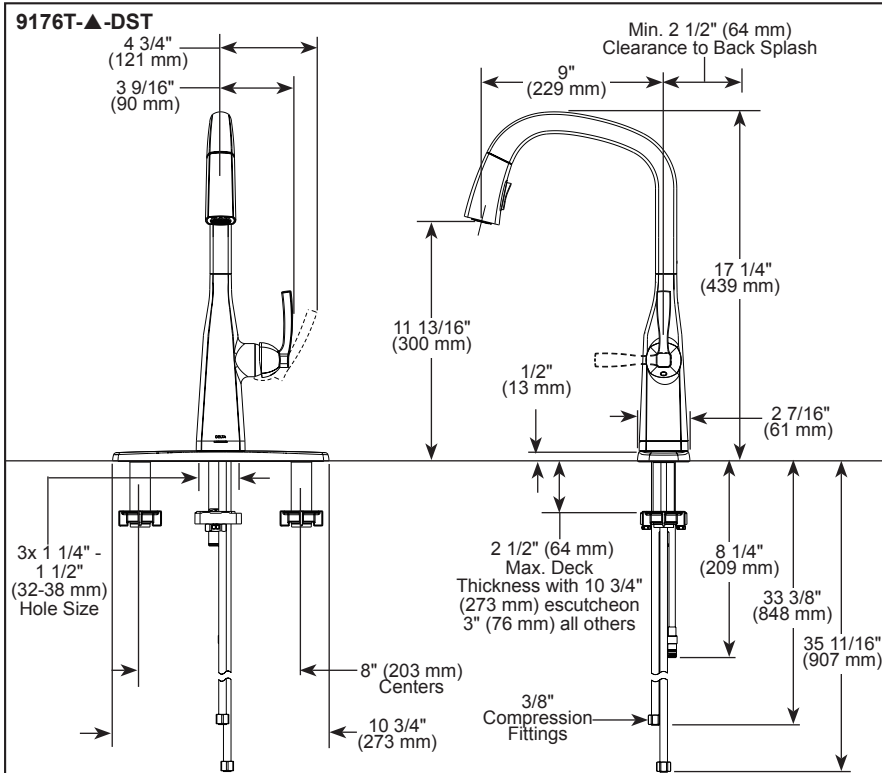
COMPLIES WITH:

- ASME A112.18.1 / CSA B125.1
- ASME A112.18.6
- ♿ Indicates compliance to ICC/ANSI A117.1 - Valve control only



Submitted Model No.: _____

Specific Features: _____



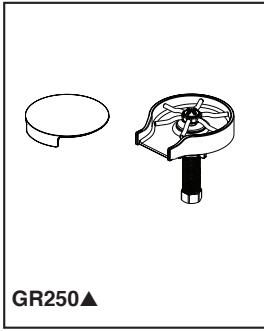
▲ Designate proper finish suffix

Delta reserves the right (1) to make changes in specifications and materials, and (2) to change or discontinue models, both without notice or obligation. Dimensions are for reference only. See current full-line price book or www.deltafaucet.com for finish options and product availability.

DSP-K-9176T-DST Rev. C

Delta Faucet Company

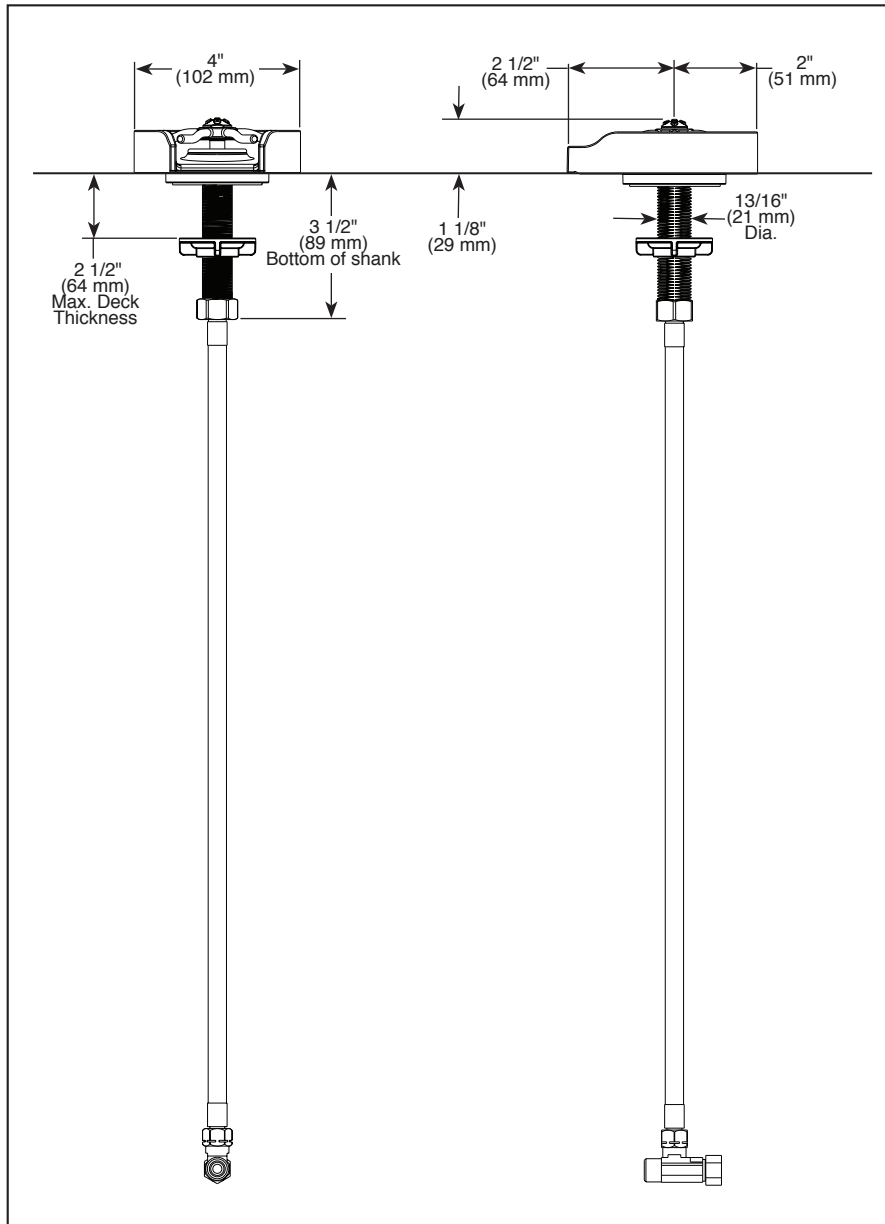
55 E. 111th Street, Indianapolis, IN 46280
 350 South Edgeware Road, St. Thomas, ON N5P 4L1
 © 2021 Delta Faucet Company



GR250▲

Submitted Model No.: _____

Specific Features: _____



▲ Designate proper finish suffix



see what Delta can do™

GLASS RINSER

STANDARD SPECIFICATIONS:

- Maximum 1.2 gpm @ 60 psi, 4.5 L/min @ 414 kPa
- May connect to either hot or cold supply
- 42" supply line and adapter tee included for connecting to water supply
- Models include matching finish cover
- Optional spacer for sinks with raised ledges
- Metallic base

WARRANTY

- Parts and Finish - Lifetime limited warranty; or for commercial purchasers, 10 years for multi-family residential (apartments and condominiums) and 5 years for all other commercial uses, in each case from the date of purchase.
- Electronic Parts and Batteries (if applicable) - 5 years from the date of purchase; or for commercial purchasers, 1 year from the date of purchase. No warranty is provided on batteries.

COMPLIES WITH:

- ASME A112.18.1 / CSA B125.1