



see what Delta can do<sup>SM</sup>

## KITCHEN FAUCETS

- Trinsic® Collection
- Single Handle Deck Mount
- 2-Function Pull-Down Sprayer

### FEATURES:

- MagnaTite® Magnetic System
- DIAMOND Seal® Technology
- Touch-Clean® Sprayhead

### STANDARD SPECIFICATIONS:

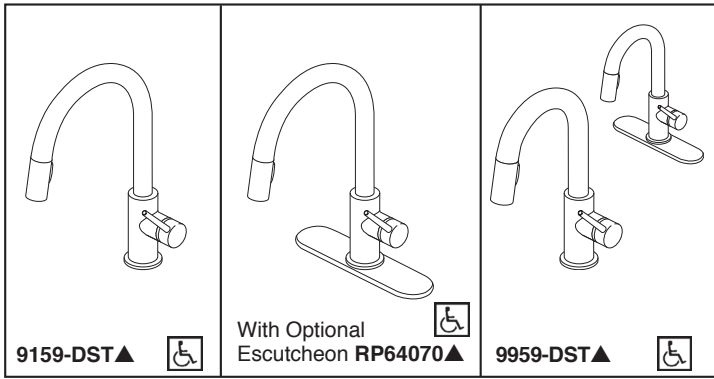
- Maximum 1.8 gpm @ 60 psi, 6.8 L/min @ 414 kPa
- One or three hole mount (escutcheon optional, not included)
- Spout rotates 360°
- Control mechanism shall be full-motion valve cartridge
- Two-function wand; Aerated stream or spray
- Red/blue indicator markings
- Dual integral check valves in sprayer
- Quick connect hoses

### WARRANTY

- Parts and Finish - Lifetime limited warranty; or for commercial purchasers, 10 years for multi-family residential (apartments and condominiums) and 5 years for all other commercial uses, in each case from the date of purchase.
- Electronic Parts and Batteries (if applicable) - 5 years from the date of purchase; or for commercial purchasers, 1 year from the date of purchase. No warranty is provided on batteries.

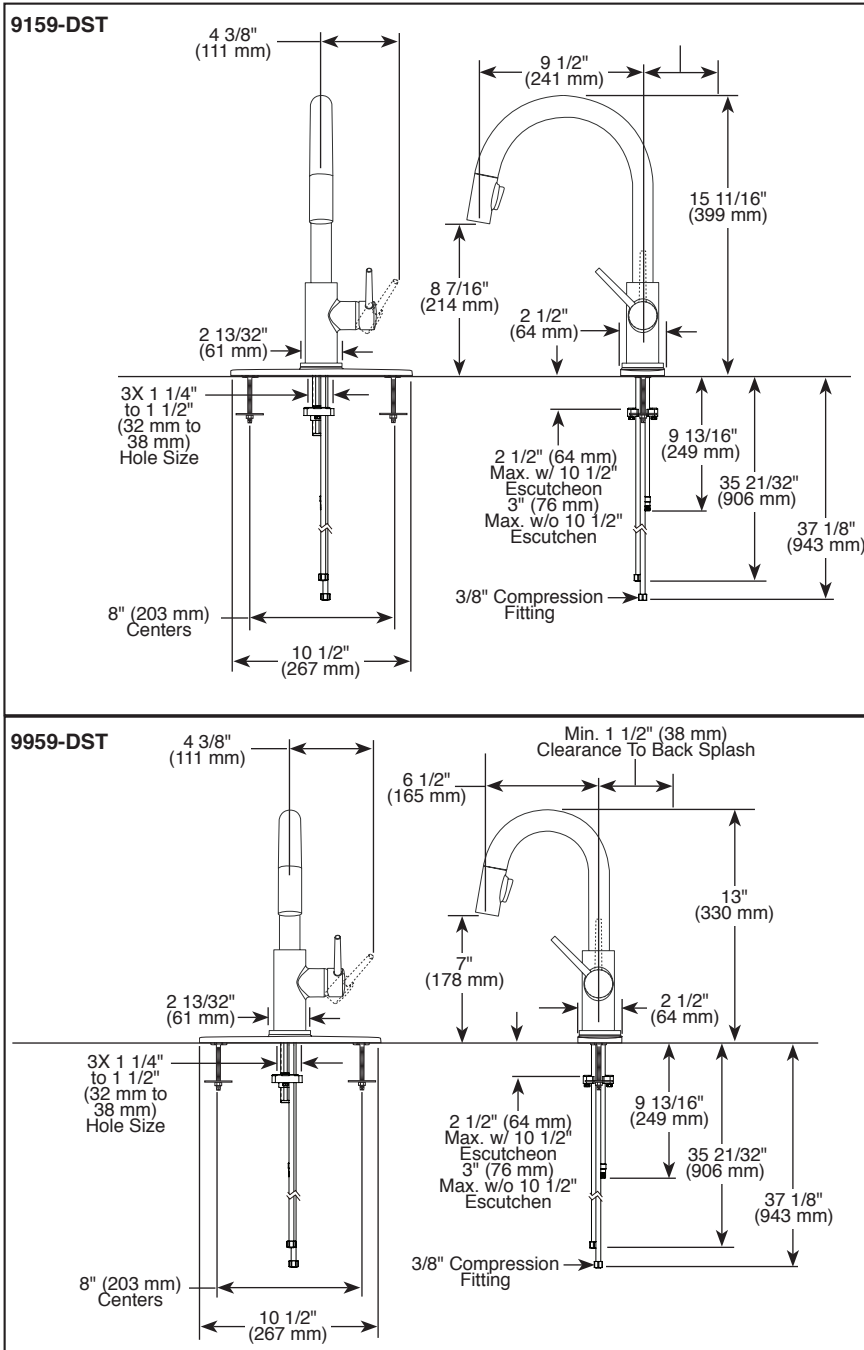
### COMPLIES WITH:

- ASME A112.18.1 / CSA B125.1
- ASME A112.18.6
- Indicates compliance to ICC/ANSI A117.1
- Verified compliant with .25% weighted average Pb content regulations.



Submitted Model No.: \_\_\_\_\_

Specific Features: \_\_\_\_\_



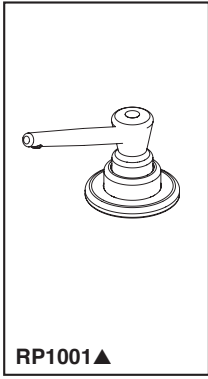
▲ Designate proper finish suffix

Delta reserves the right (1) to make changes in specifications and materials, and (2) to change or discontinue models, both without notice or obligation. Dimensions are for reference only. See current full-line price book or [www.deltafaucet.com](http://www.deltafaucet.com) for finish options and product availability.

DSP-K-9159-DST Rev. F

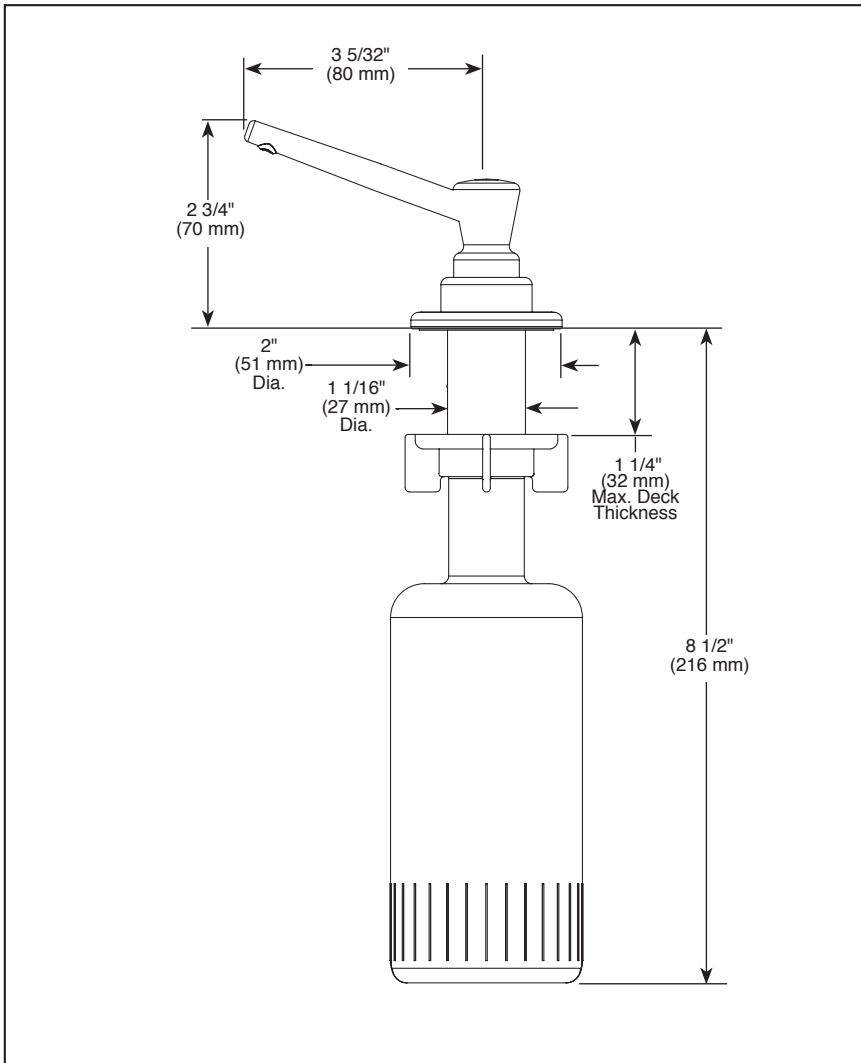
### Delta Faucet Company

55 E. 111th Street, Indianapolis, IN 46280  
 350 South Edgeware Road, St. Thomas, ON N5P 4L1  
 © 2019 Delta Faucet Company



Submitted Model No.: \_\_\_\_\_

Specific Features: \_\_\_\_\_



▲ Designate Proper Finish Suffix



# SOAP DISPENSER

## STANDARD SPECIFICATIONS:

- 10 ounce bottle.
- Refillable from above the deck.
- 1 1/4" max. deck thickness.
- Order RP31845, for extended mounting nut. Allows for 2 1/2" max. deck thickness.
- Includes RP30395 refill funnel.
- Mounts in standard hole sizes 1 1/4" - 1 1/2".

## WARRANTY

- Lifetime limited warranty on parts (other than electronic parts and batteries) and finishes: or, for commercial users, for 5 years from date of purchase.
- 5 year limited warranty on electronic parts (other than batteries); or, for commercial users, for 1 year from the date of purchase. No warranty is provided on batteries.

Delta reserves the right (1) to make changes in specifications and materials, and (2) to change or discontinue models, both without notice or obligation. Dimensions are for reference only. See current full-line price book or [www.deltafaucet.com](http://www.deltafaucet.com) for finish options and product availability.

