



see what Delta can doSM

KITCHEN FAUCETS

- Trinsic[®] Collection
- Single Handle Pull-Down

FEATURES:

- Touch₂O[®] Technology
- DIAMOND Seal[®] Technology
- MagnaTite[®] Magnetic Docking
- Touch-Clean[®] Sprayhead

STANDARD SPECIFICATIONS:

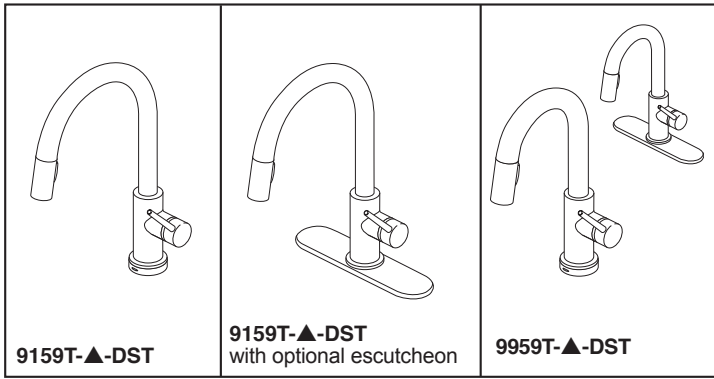
- Maximum 1.8 gpm @ 60 psi, 6.8 L/min @ 414 kPa
- One or three hole mount (escutcheon optional, not included)
- Diamond coated ceramic cartridge
- 3/8" O.D. straight, staggered PEX supply lines
- Spout rotates 360°
- Red/Blue indicator markings
- Two-function wand; Aerated stream or spray
- Dual integral check valves in sprayer
- Quick Snap[®] connect hoses
- LED indicator light signals on-off, water temperature and when batteries run low
- Uses 6 AA (included) or 6 C (optional) batteries

WARRANTY

- Parts and Finish - Lifetime limited warranty; or for commercial purchasers, 10 years for multi-family residential (apartments and condominiums) and 5 years for all other commercial uses, in each case from the date of purchase.
- Electronic Parts and Batteries (if applicable) - 5 years from the date of purchase; or for commercial purchasers, 1 year from the date of purchase. No warranty is provided on batteries.

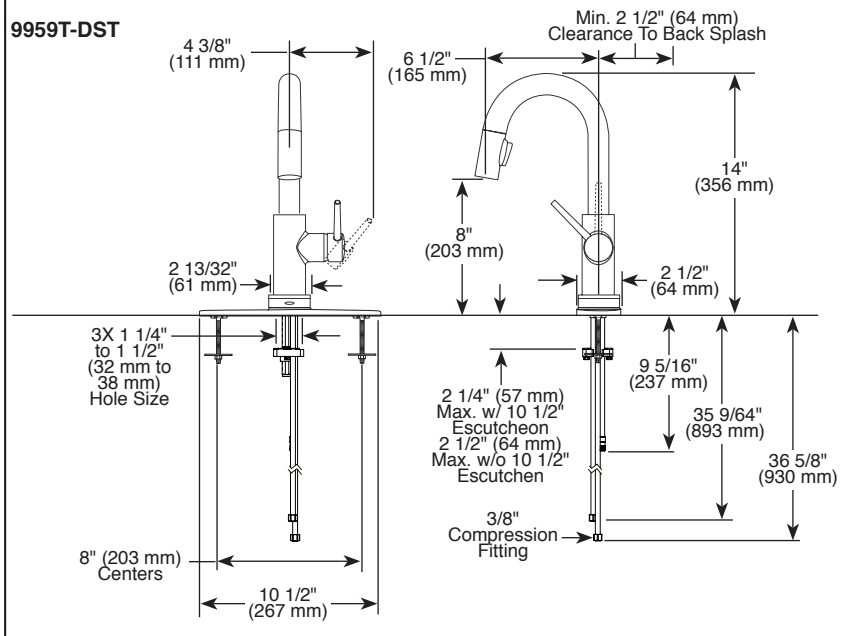
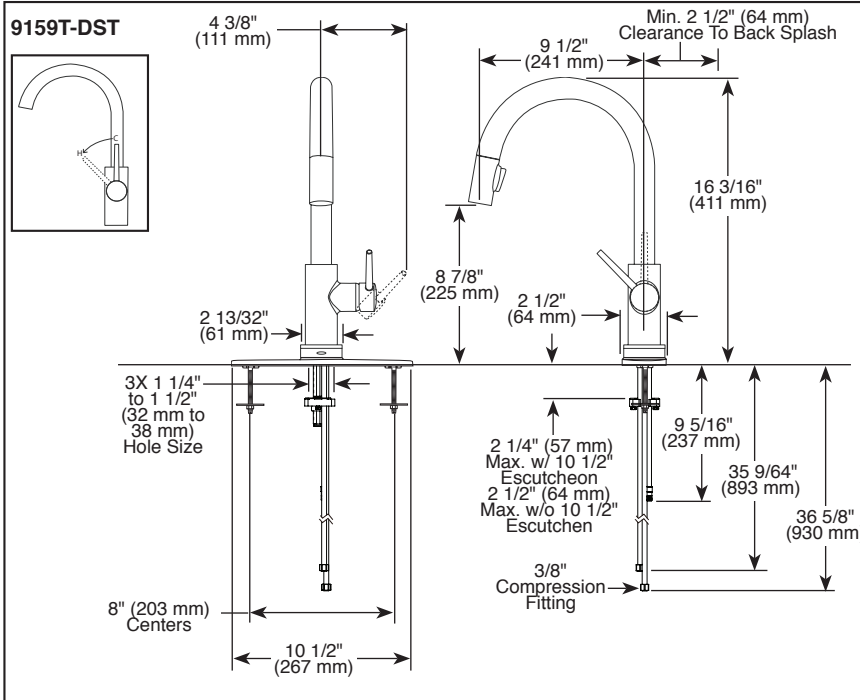
COMPLIES WITH:

- ASME A112.18.1 / CSA B1 25.1
- ASME A112.18.6
- ♿ Indicates compliance to ICC/ANSI A1 17.1- Valve control only



Submitted Model No.: _____

Specific Features: _____



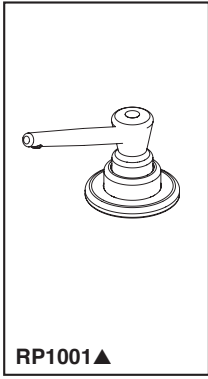
▲ Designate proper finish suffix

Delta reserves the right (1) to make changes in specifications and materials, and (2) to change or discontinue models, both without notice or obligation. Dimensions are for reference only. See current full-line price book or www.deltafaucet.com for finish options and product availability.

DSP-K-9159T-DST Rev. H

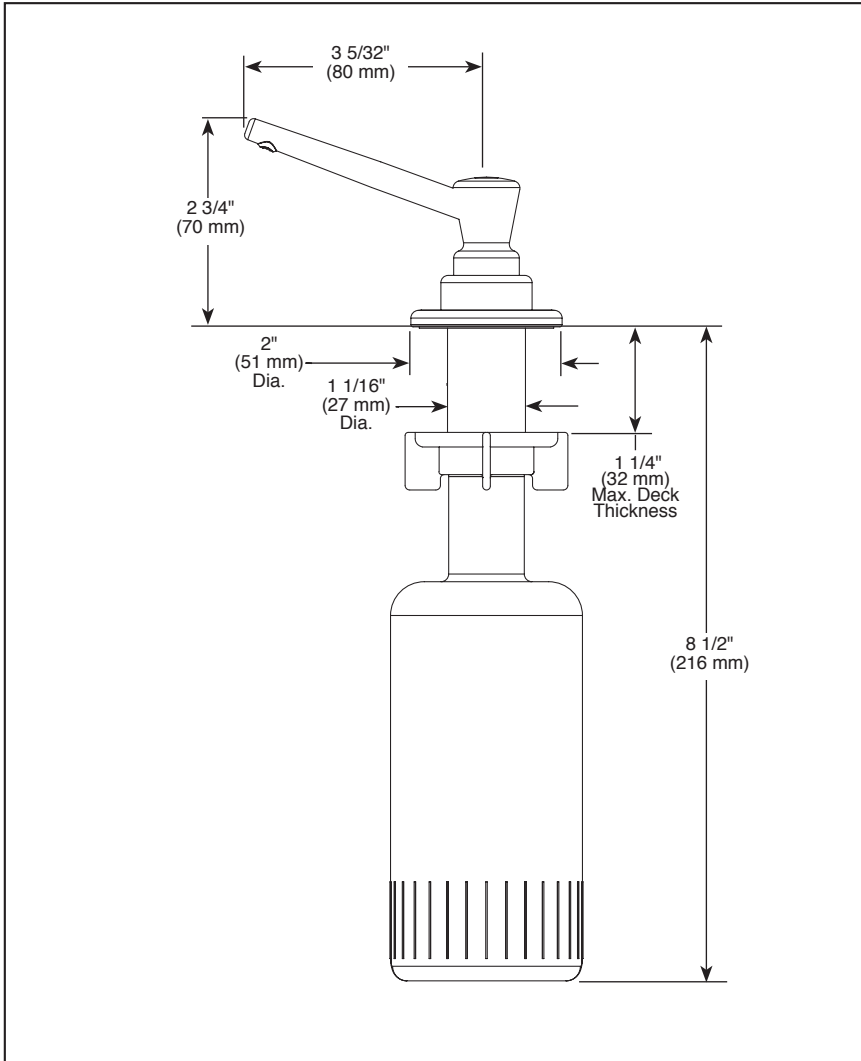
Delta Faucet Company

55 E. 111th Street, Indianapolis, IN 46280
 350 South Edgeware Road, St. Thomas, ON N5P 4L1
 © 2022 Delta Faucet Company



Submitted Model No.: _____

Specific Features: _____



▲ Designate Proper Finish Suffix



SOAP DISPENSER

STANDARD SPECIFICATIONS:

- 10 ounce bottle.
- Refillable from above the deck.
- 1 1/4" max. deck thickness.
- Order RP31845, for extended mounting nut. Allows for 2 1/2" max. deck thickness.
- Includes RP30395 refill funnel.
- Mounts in standard hole sizes 1 1/4" - 1 1/2".

WARRANTY

- Lifetime limited warranty on parts (other than electronic parts and batteries) and finishes: or, for commercial users, for 5 years from date of purchase.
- 5 year limited warranty on electronic parts (other than batteries); or, for commercial users, for 1 year from the date of purchase. No warranty is provided on batteries.

Delta reserves the right (1) to make changes in specifications and materials, and (2) to change or discontinue models, both without notice or obligation. Dimensions are for reference only. See current full-line price book or www.deltafaucet.com for finish options and product availability.

