

Submitted Model No.: \_\_\_\_\_  
 Specific Features: \_\_\_\_\_



# LAVATORY FAUCETS

- Soline™ Collection
- Single Handle Deck Mount

### STANDARD SPECIFICATIONS:

- Maximum 1.50 gpm @ 60 PSI, 5.70 L/min @ 414 kPa
- Maximum (ECO models only) 1.20 gpm @ 60 PSI, 4.54 L/min @ 414 kPa
- One or three hole mount (escutcheon optional, included)
- Control mechanism is replaceable cartridge with ceramic plates
- Models have drain with plastic pop-up type fitting with plated flange and stopper
- Handle rotates forward 90° to avoid interference with backsplash

### WARRANTY

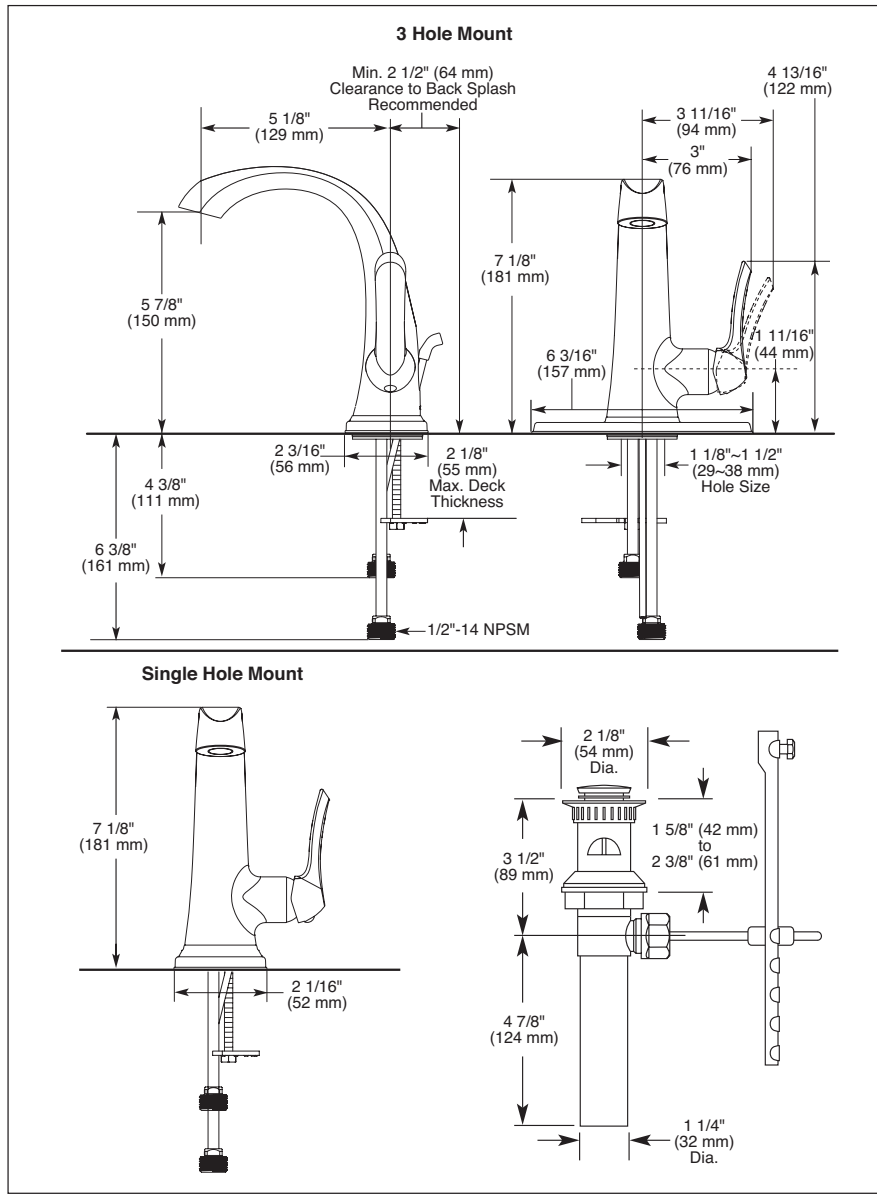
- Lifetime limited warranty on parts (other than electronic parts and batteries) and finishes: or, for commercial users, for 5 years from date of purchase.
- 5 year limited warranty on electronic parts (other than batteries); or, for commercial users, for 1 year from the date of purchase. No warranty is provided on batteries.



### COMPLIES WITH:

- ASME A112.18.1 / CSA B125.1
- ASME A112.18.2 / CSA B125.2
- Indicates compliance to ICC/ANSI A117.1
- EPA WaterSense®

Verified compliant with 0.25% weighted average Pb content regulations.



▲ Designate proper finish suffix



55 E 111th Street, Indianapolis, Indiana 46280  
 350 South Edgeware Road, St. Thomas, ON N5P 4L1  
 © 2016 Masco Corporation of Indiana

Delta reserves the right (1) to make changes in specifications and materials, and (2) to change or discontinue models, both without notice or obligation. Dimensions are for reference only. See current full-line price book or www.deltafaucet.com for finish options and product availability.