

15718LF▲

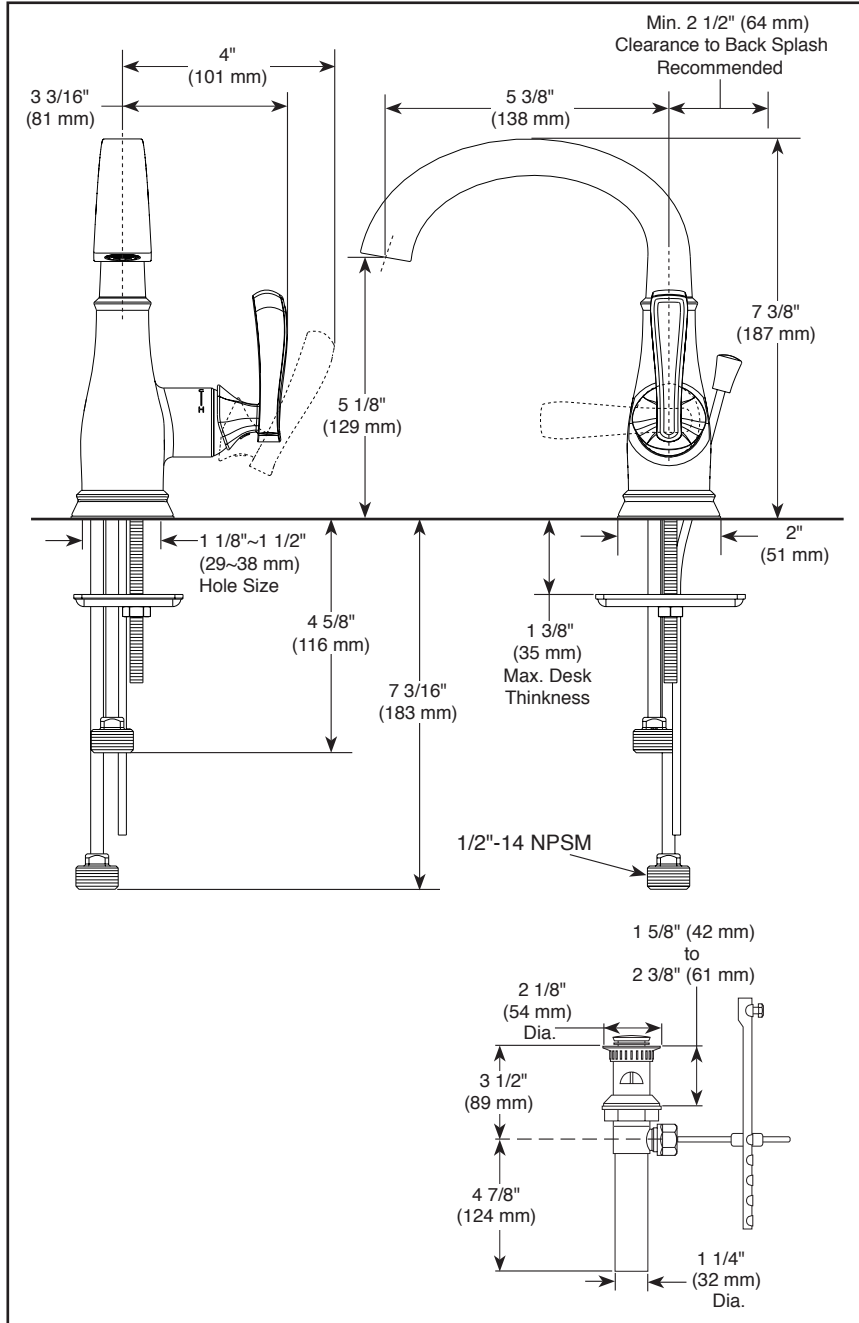


15718LF▲  
With Escutcheon



Submitted Model No.: \_\_\_\_\_

Specific Features: \_\_\_\_\_



▲ Designate proper finish suffix

Delta reserves the right (1) to make changes in specifications and materials, and (2) to change or discontinue models, both without notice or obligation. Dimensions are for reference only. See current full-line price book or [www.deltafaucet.com](http://www.deltafaucet.com) for finish options and product availability.

DSP-L-15718LF Rev. B



see what Delta can do™

## LAVATORY FAUCET

- Lakewood™ Collection
- Single Handle Deck Mount

### STANDARD SPECIFICATIONS:

- Maximum 1.2 gpm @ 60 psi, 4.5 L/min @ 414 kPa
- Solid brass cast body
- One or three hole mount (escutcheon optional, included)
- Control mechanism is replaceable cartridge with ceramic plates
- Models have drain with pop-up type fitting with plated flange and stopper

### WARRANTY

- Parts and Finish - Lifetime limited warranty; or for commercial purchasers, 10 years for multi-family residential (apartments and condominiums) and 5 years for all other commercial uses, in each case from the date of purchase.
- Electronic Parts and Batteries (if applicable) - 5 years from the date of purchase; or for commercial purchasers, 1 year from the date of purchase. No warranty is provided on batteries.



### COMPLIES WITH:

- ASME A1 12.18.1 / CSA B1 25.1
- ASME A1 12.18.2 / CSA B1 25.2



Indicates compliance to  
ICC / ANSI A1 17.1

- EPA WaterSense®
- Verified compliant with 0.25% weighted average Pb content regulations

### Delta Faucet Company

55 E. 111th Street, Indianapolis, IN 46280  
350 South Edgeware Road, St. Thomas, ON N5P 4L1  
© 2019 Delta Faucet Company