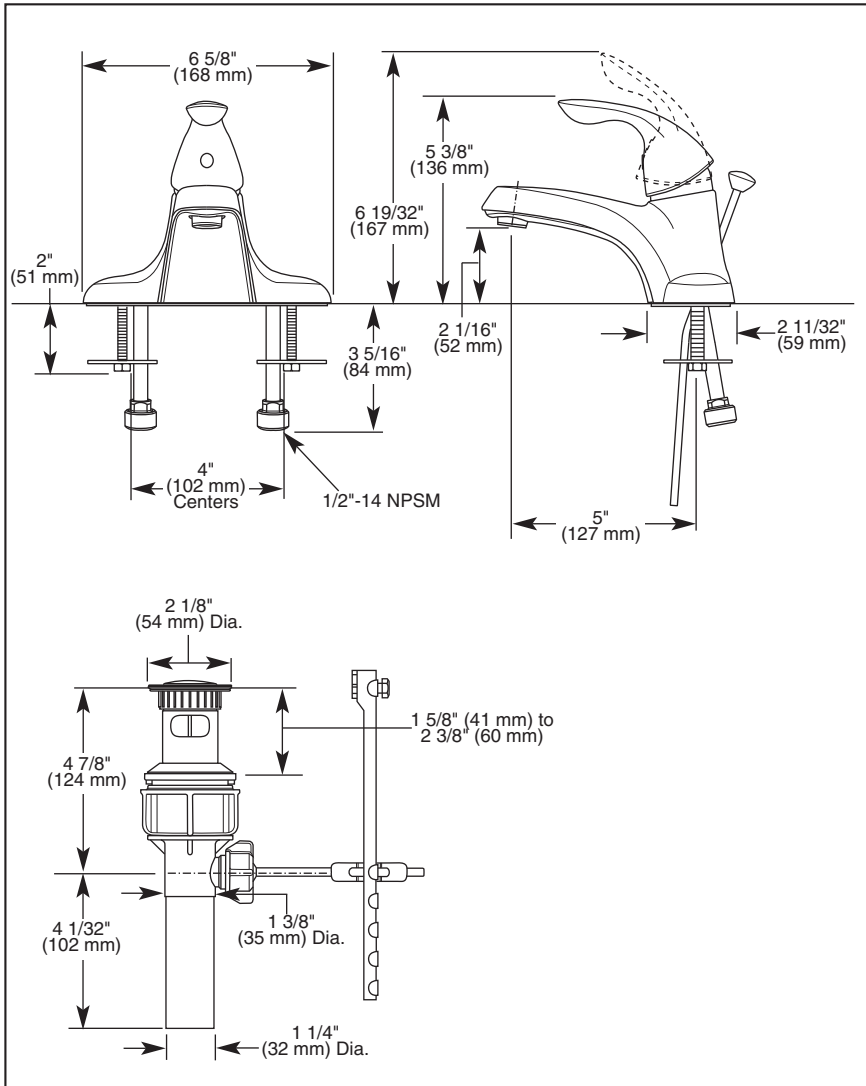


Submitted Model No.: _____

Specific Features: _____



LAVATORY FAUCETS

- Single Handle Deck Mount
- 2 and 3 Hole Sink Applications
- 4" Centerset

STANDARD SPECIFICATIONS:

- Solid brass fabricated body.
- 4" (102 mm) centerset.
- 5" (127 mm) long spout.
- Lever handle. Control mechanism is the rotating stainless steel ball type with replaceable non-metallic seats operating in stainless steel line sockets.
- Control handle shall return to neutral position when valve is turned off.
- Models have 3/8" O.D. copper supply tubes with 1/2"-14 NPSM adapters.
- Pop-up type fitting with plated flange and stopper.
- Maximum flow rate 1.5 gpm @ 60 PSI.

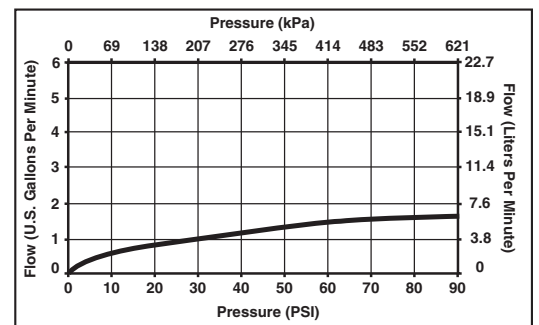
WARRANTY

- Lifetime Faucet and Finish Limited Warranty to the original consumer purchaser to be free from defects in material and workmanship.
- 5 Year Limited Warranty for usage in all industrial, commercial and business applications.



COMPLIES WITH:

- ASME A112.18.1 / CSA B125.1
- ASME A112.18.2 / CSA B125.2
- Indicates compliance to ICC/ANSI A117.1
- EPA Water Sense



Delta reserves the right (1) to make changes in specifications and materials, and (2) to change or discontinue models, both without notice or obligation. Dimensions are for reference only. See current full-line price book or www.specselect.com for finish options and product availability.

DSP-L-15910-WF Rev. B



55 E. 111th Street, Indianapolis, Indiana 46280
 395 Matheson Blvd. E., Mississauga, ON L4Z 2H2
 © 2008 Masco Corporation of Indiana