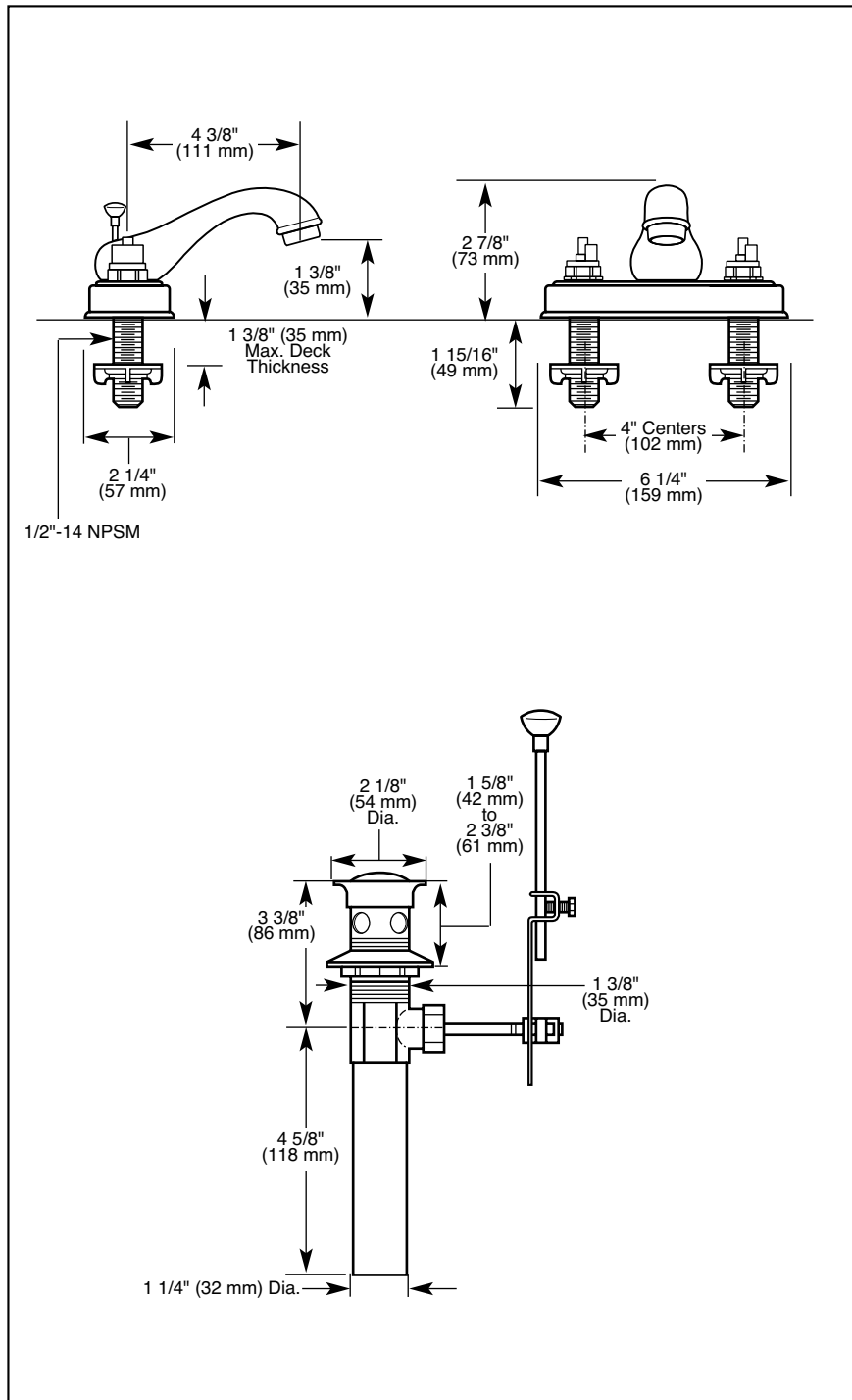


2577-LHP

Submitted Model No.: _____

Specific Features: _____



DELTA[®]

LAVATORY FAUCETS

- Two Handle
- 3 Hole Sink Applications
- 4" Centerset



LISTED
UL Listed to US and Canadian
Safety Standards and Classified C
in accordance with
ANSI/NSF 61
21PL

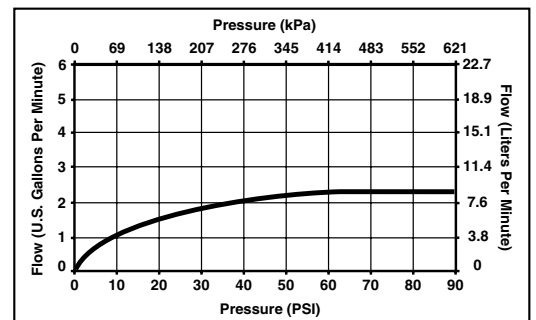


COMPLIES WITH:

- ASME A112.18.1
- CSA B125
- Indicates ADA compliance to CABO/ANSI A117.1
- IAPMO Listed
- CSA Certified

STANDARD SPECIFICATIONS:

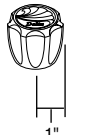
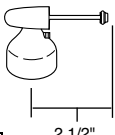
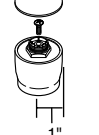
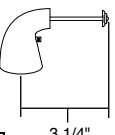
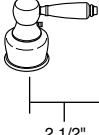
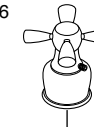
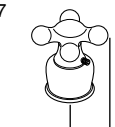

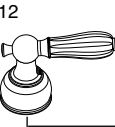
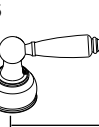
- Two handle lavatory deck faucets for exposed mounting on three hole sinks.
- 4" (102 mm) centerset.
- Solid brass fabricated body.
- 4 3/8" (111 mm) long, 2 7/8" (73 mm) high rigid spout.
- Hot and cold stems are interchangeable.
- Brass stems with 1/4 turn handle stops.
- Control mechanism shall be of the rotating cylinder type with stainless steel plate and 180° rotation, with replaceable non-metallic seats operating in stainless steel lined sockets.
- 1/2"-14 NPSM threaded male inlet shanks.
- Models have metal drain with pop-up type fitting with plated flange and stopper.




















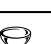
Delta reserves the right (1) to make changes in specifications and materials, and (2) to change or discontinue models, both without notice or obligation. Dimensions are for reference only.

| Standard Features | 2577-LHP | 2577-CBLHP | 2577-NNLHP | 2577-PBLHP |
|--|----------|------------|------------|------------|
| Washerless | ◆ | ◆ | ◆ | ◆ |
| Three Hole Installation | ◆ | ◆ | ◆ | ◆ |
| 4" (102 mm) Centerset | ◆ | ◆ | ◆ | ◆ |
| 4 3/8" (111 mm) Long, 2 7/8" (73 mm) High Rigid Spout | ◆ | ◆ | ◆ | ◆ |
| Less Handle Program See Handle Kit Options* | ◆ | ◆ | ◆ | ◆ |
| Brass Stems with 1/4 Turn Handle Stops | ◆ | ◆ | ◆ | ◆ |
| 1/2"-14 NPSM Threaded Male Inlet Shanks | ◆ | ◆ | ◆ | ◆ |
| Metal Pop-Up Drain | ◆ | ◆ | ◆ | ◆ |
| Chrome Finish | ◆ | | | |
| Chrome and <i>Brilliance</i> [®] Polished Brass Finish | | ◆ | | |
| <i>Brilliance</i> [®] Pearl Nickel | | | ◆ | |
| <i>Brilliance</i> [®] Polished Brass Finish | | | | ◆ |

***Available LHP Handle Options**

| | | | | |
|---|---|--|---|---|
| H21  1" (25 mm) | H22 A22  2 1/2" (64 mm) | H23 A23  1" (25 mm) | H24 A24  3 1/4" (83 mm) | H25  2 1/2" (64 mm) |
| H26  1 1/4" (32 mm) | H27  1 1/4" (32 mm) | H28  1 7/16" (37 mm) | H212  3" (76 mm) | H215  2 5/16" (59 mm) |

***Available LHP Handle Accent Options with Matching Lift Knobs**

| | | | |
|---|---|--|---|
|  A22CL |  |  A24CL |  |
|  A22, A22PB, A22WH |  |  A24, A24PB, A24WH |  |
|  A22PR |  |  A23ST |  |
|  A22OK, A22RS, A22WW |  |  A23OK |  |
|  A23, A23PB, A23WH |  | | |



Indianapolis, Indiana 46280
A Division of Masco Corporation of Indiana
© 2001 Masco Corporation of Indiana