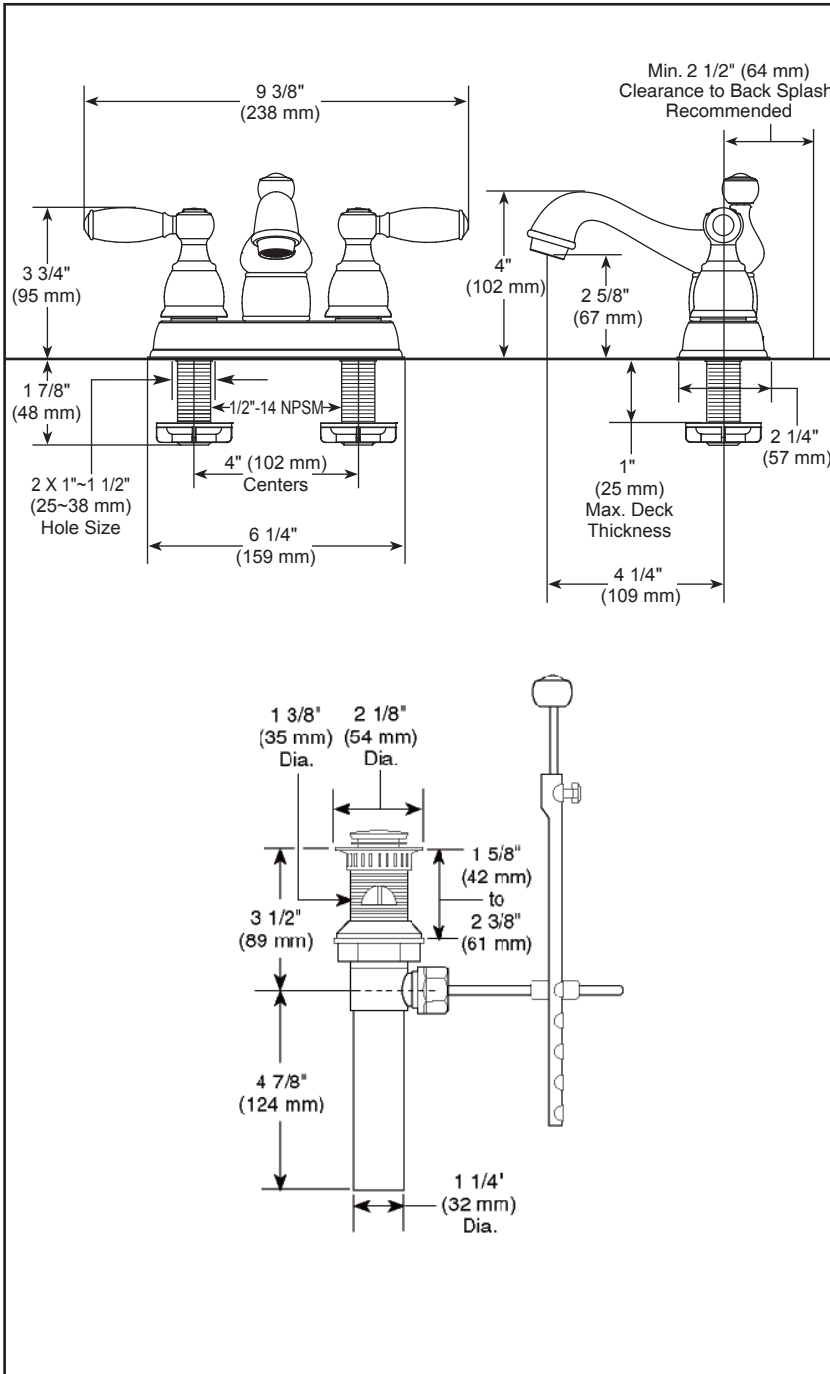


Submitted Model No.: _____
 Specific Features: _____



▲ Designate proper finish suffix

Delta reserves the right (1) to make changes in specifications and materials, and (2) to change or discontinue models, both without notice or obligation. Dimensions are for reference only. See full-line price book or www.specselect.com for finish options and product availability.



LAVATORY FAUCETS

- Two Handle, Deck Mount
- 2 and 3 Hole Sink Applications
- 4" Centerset

STANDARD SPECIFICATIONS

- Two handle lavatory faucets for exposed mounting on 2 hole sinks with 4" centers.
- 4" (102 mm) centerset.
- 4 1/4" (109 mm) long, 4" (102 mm) high spout.
- 1/4 turn handle stops.
- All operating parts shall be replaceable from the top.
- Hot and cold stems are interchangeable.
- 1/2" -14 NPSM threaded male inlet shanks.
- Control mechanism is a rotating cylinder type with stainless steel plate and 90°rotating, with replaceable non-metallic seats.
- Maximum flow rate 1.5 gpm @ 60 PSI.

WARRANTY

- Lifetime Faucet and Finish Limited Warranty to the Original consumer purchaser to be free from defects in material and workmanship.
- 5 Year Limited Warranty for usage in all Industrial, Commercial and business applications.



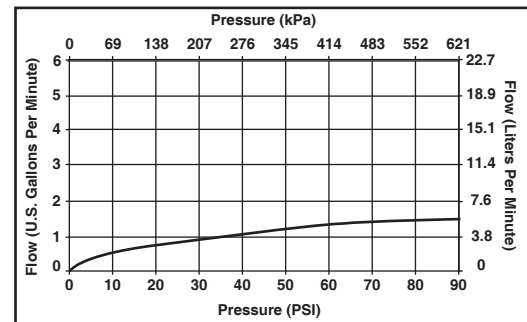
COMPLIES WITH

- ASME A112.18.1/CSA B125.1
- ASME A112.18.2/CSA B125.2

♿ Indicates compliance to ICC/ANSI A117.1

- EPA WaterSense

Verified compliant with 0.25% weighted average Pb content regulations.



55 E. 111th Street, Indianapolis, Indiana 46280
 395 Matheson Blvd. E., Mississauga, ON L4Z 2H2
 © 2010 Masco Corporation of Indiana