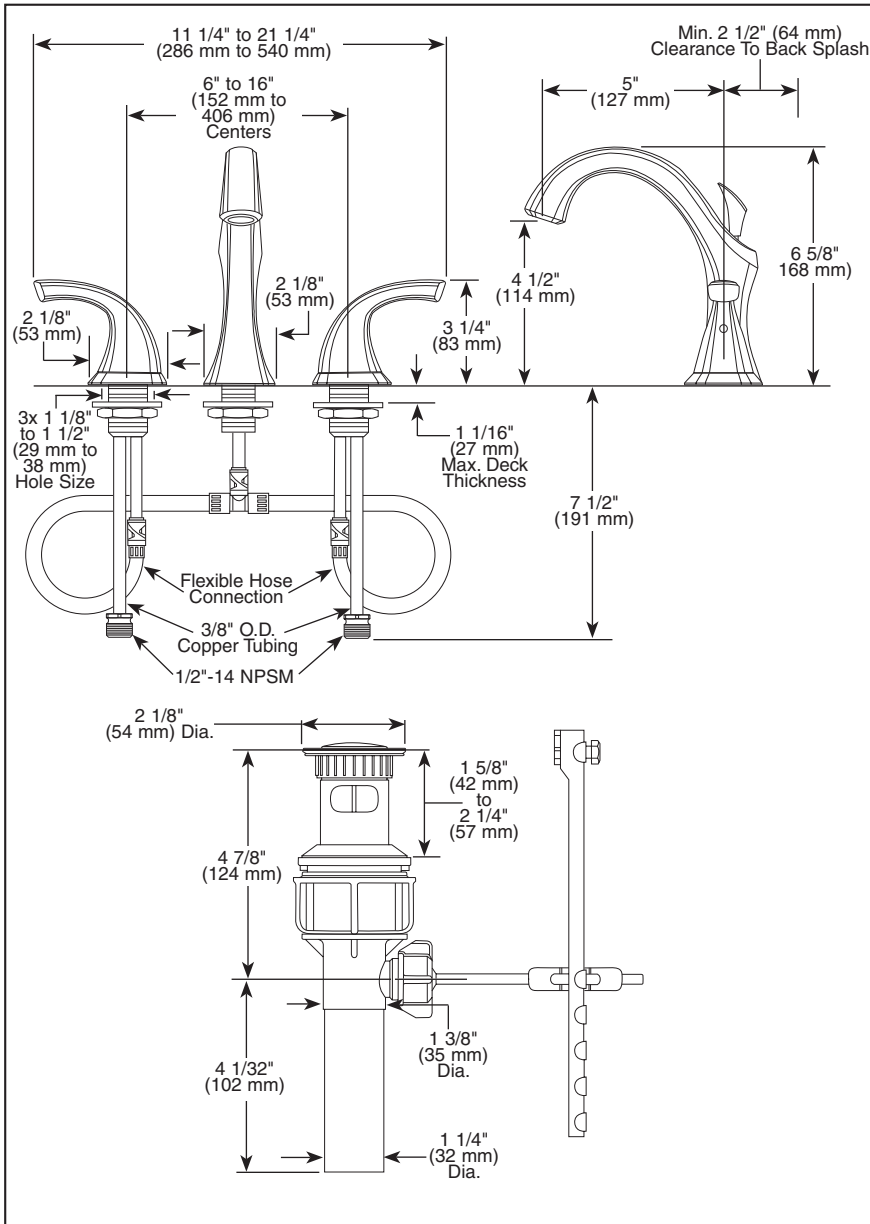


Submitted Model No.: _____

Specific Features: _____



▲ Designate Proper Finish Suffix



LAVATORY FAUCETS

- Addison™ Bath Collection
- 2 Handle Widespread Deck Mount
- 3 Hole Sink Applications
- 6" to 16" Centers
- Quick-Snap® Installation

STANDARD SPECIFICATIONS:

- Solid brass fabricated end valve and spout bodies.
- Widespread - 6" (152 mm) to 16" (406 mm) centers.
- 5" (127 mm) long, 6 5/8" (168 mm) high rigid spout.
- Quick-Snap® installation.
- 1/4 turn handle stops.
- Control mechanism is replaceable cartridge with rotating ceramic plates.
- Hot and cold stems are interchangeable.
- 3/8" O.D. copper supply tubes with 1/2"-14 NPSM adapters.
- Drain assembly with plated flange and stopper.
- Models have a maximum 1.5 gpm flowrate @ 60 PSI.

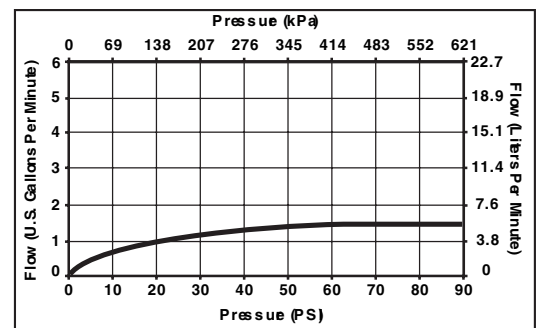
WARRANTY

- Lifetime Faucet and Finish Limited Warranty to the original consumer purchaser to be free from defects in material and workmanship.
- 5 Year Limited Warranty for usage in all industrial, commercial and business applications.



COMPLIES WITH:

- ASME A112.18.1 / CSA B125.1
- ASME A112.18.2 / CSA B125.2
- Indicates compliance to ICC/ANSI A117.1
- EPA WaterSense
- Verified compliant with .25% weighted average Pb content regulations.



55 E. 111th Street, Indianapolis, Indiana 46280
 395 Matheson Blvd. E., Mississauga, ON L4Z 2H2
 © 2009 Masco Corporation of Indiana

Delta reserves the right (1) to make changes in specifications and materials, and (2) to change or discontinue models, both without notice or obligation. Dimensions are for reference only. See current full-line price book or www.specselect.com for finish options and product availability.

DSP-L-35992LF Rev. A