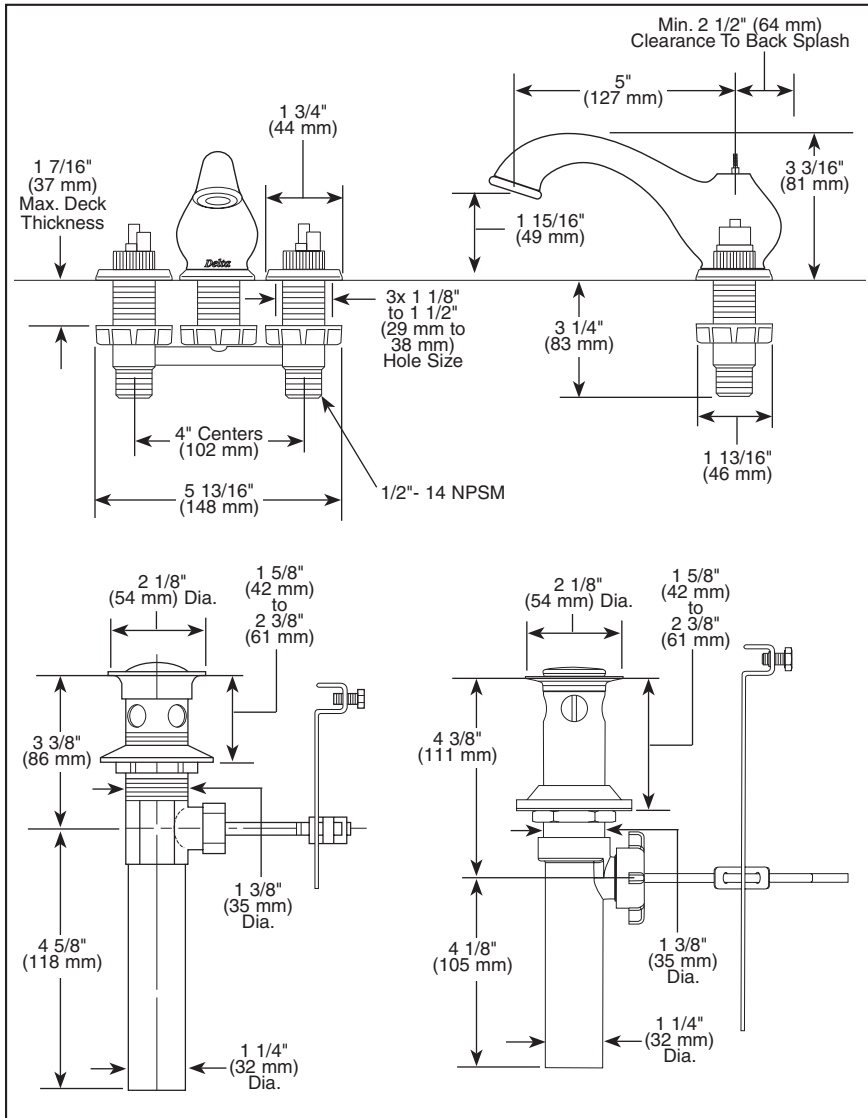
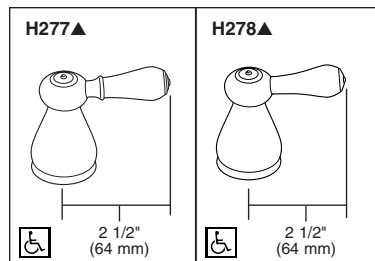


Submitted Model No.: _____

Specific Features: _____



▲ Designate proper finish suffix
Available LHP Handle Options



Delta reserves the right (1) to make changes in specifications and materials, and (2) to change or discontinue models, both without notice or obligation. Dimensions are for reference only. See current full-line price book for finish options and product availability.

DSP-L-4578-LHP Rev. B

DELTA

LAVATORY FAUCETS

- Leland® Series
- Two Handle Deck Mount
- 3 Hole Sink Applications
- 4" Mini-Widespread

STANDARD SPECIFICATIONS:

- Solid brass fabricated body.
- 4" (102 mm) mini-widespread.
- 5" (127 mm) long, 3 3/16" (81 mm) high rigid spout.
- LHP - less handle program. See handle option below.
- 1/4 turn stops.
- Hot and cold stems are interchangeable.
- Control mechanism shall be of the rotating cylinder type with stainless steel plate and 180° rotation, with replaceable non-metallic seats operating in stainless steel lined sockets.
- 1/2"-14 NPSM threaded male inlet shanks.
- Models without "LHP" suffix include polypropylene pop-up type drain fitting with plated metal flange and stopper cap.
- Models with "LHP" suffix include metal drain with pop-up type drain fitting with plated metal flange and stopper cap.

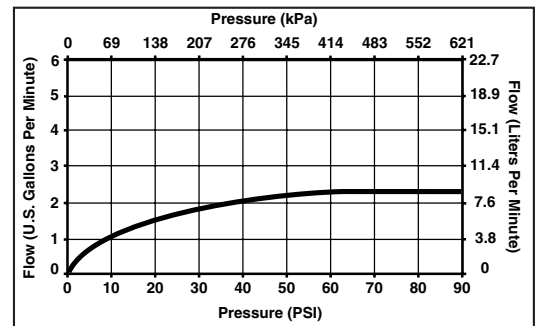
WARRANTY

- Lifetime Faucet and Finish Limited Warranty to the original consumer purchaser to be free from defects in material and workmanship.
- 5 Year Limited Warranty for usage in all industrial, commercial and business applications.



COMPLIES WITH:

- ASME A112.18.1 / CSA B125.1
- ASME A112.18.2 / CSA B125.2
- Indicates compliance to ICC/ANSI A117.1



DELTA

FAUCET COMPANY

55 E. 111th Street, Indianapolis, Indiana 46280
395 Matheson Blvd. E., Mississauga, ON L4Z 2H2
© 2009 Masco Corporation of Indiana