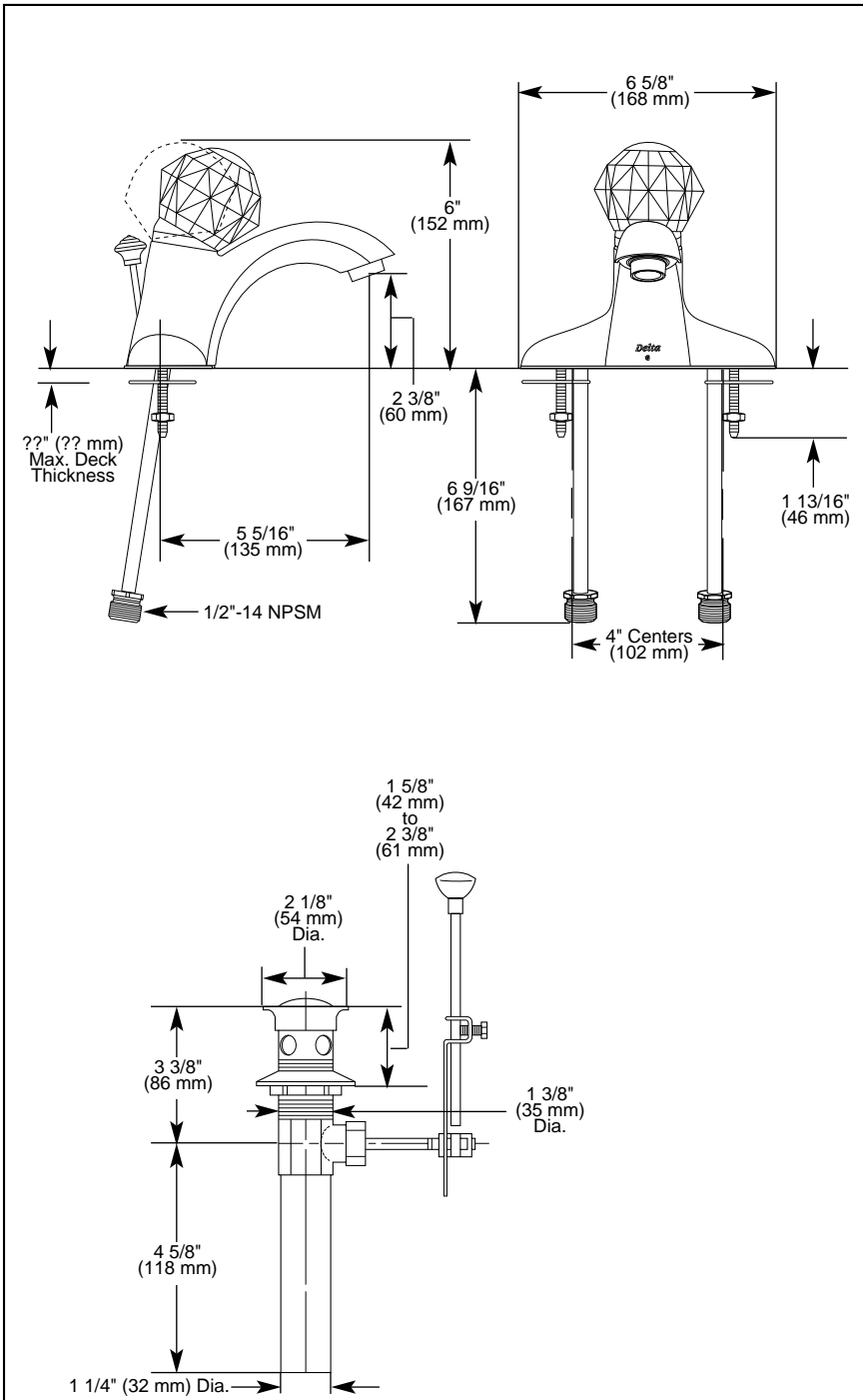


542-WFMPU

Submitted Model No.: \_\_\_\_\_

Specific Features: \_\_\_\_\_



# LAVATORY FAUCETS

- Innovations® Series
- Single Handle Deck Mount
- 3 Hole Sink Applications
- 4" Centerset

## STANDARD SPECIFICATIONS:

- Solid brass fabricated body.
- 4" (102 mm) centerset.
- 5 5/16" (135 mm) long, 3 7/8" (98 mm) high spout.
- Clear knob handle. Control mechanism is the rotating stainless steel ball type with replaceable non-metallic seats operating in stainless steel lined sockets.
- Model has 3/8" O.D. copper supply tubes with 1/2"-14 NPSM adapters.
- Metal drain with pop-up type fitting with plated flange and stopper.

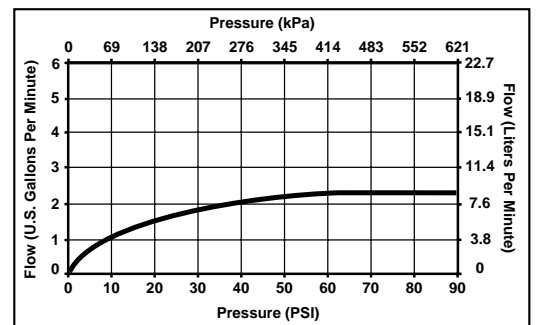
## WARRANTY

- Lifetime Faucet and Finish Limited Warranty to the original consumer purchaser to be free from defects in material and workmanship.
- 5 Year Limited Warranty for usage in all industrial, commercial and business applications.



## COMPLIES WITH:

- ASME A112.18.1 / CSA B125.1
- ASME A112.18.2 / CSA B125.2
- IAPMO Listed
- CSA Certified



Indianapolis, Indiana 46280  
 A Division of Masco Corporation of Indiana  
 © 2006 Masco Corporation of Indiana

Delta reserves the right (1) to make changes in specifications and materials, and (2) to change or discontinue models, both without notice or obligation. Dimensions are for reference only. See current full-line price book for finish options and product availability.