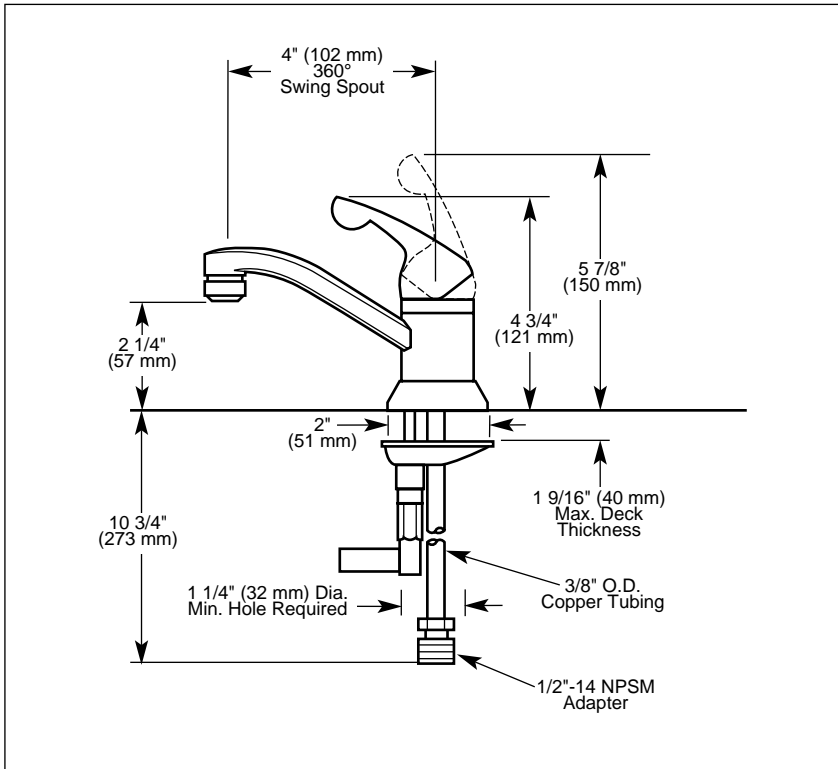


Submitted Model No.: _____

Specific Features: _____



LAVATORY FAUCETS

- Single Handle Deck Mount
- Single Hole Sink Applications

STANDARD SPECIFICATIONS:

- Solid brass fabricated body.
- 4" (102mm) spout swings 360°.
- Lever handle. Control mechanism is the rotating stainless steel ball type with replaceable non-metallic seats operating in stainless steel lined sockets.
- Control handle shall return to neutral position when valve is turned off.
- Models have 3/8" O.D. copper supply tubes - 10 3/4" (273 mm) long.
- Models with suffix "WF" supplied with 1/2"-14 NPSM adapters.

NOTE: RP24 lift rod guide assembly and RP5651 metal pop-up drain assembly available separately. Will now require a two-hole sink application.

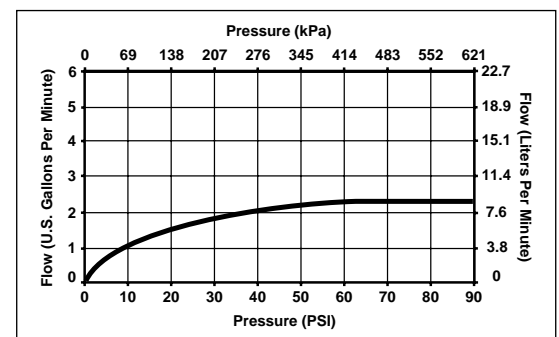
WARRANTY

- Lifetime Faucet and Finish Limited Warranty to the original consumer purchaser to be free from defects in material and workmanship.
- 5 Year Limited Warranty for usage in all industrial, commercial and business applications.



COMPLIES WITH:

- ASME A112.18.1 / CSA B125.1
- Indicates ADA compliance to ICC/ANSI A117.1
- IAPMO Listed
- CSA Certified



Delta reserves the right (1) to make changes in specifications and materials, and (2) to change or discontinue models, both without notice or obligation. Dimensions are for reference only. See current full-line price book for finish options and product availability.

DSP-L-570 Rev. B



Indianapolis, Indiana 46280
A Division of Masco Corporation of Indiana
© 2006 Masco Corporation of Indiana