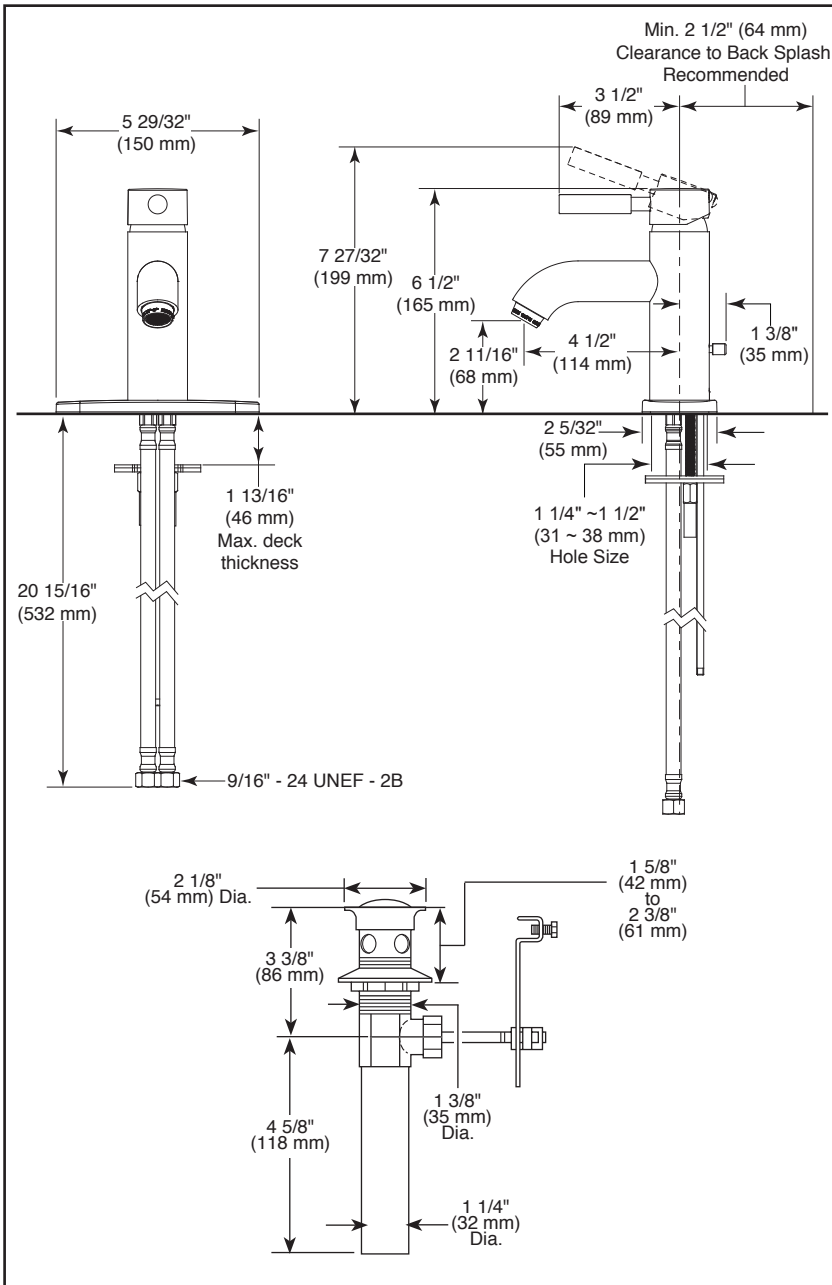


Submitted Model No.: _____
 Specific Features: _____



▲ Designate proper finish suffix

Delta reserves the right (1) to make changes in specifications and materials, and (2) to change or discontinue models, both without notice or obligation. Dimensions are for reference only. See full-line price book or www.specselect.com for finish options and product availability.

DSP-L-584 Rev. B



LAVATORY FAUCETS

- Tommy Collection
- Single Handle Deck Mount
- 1 or 3 Hole Sink Applications

STANDARD SPECIFICATIONS

- Single handle lavatory faucet.
- Ceramic cartridge with high temperature rotational limit stop.
- 1 or 3 hole installation.
- 4 1/2" (114 mm) long reach on spout.
- Maximum 1 13/16" (46 mm) deck thickness.
- Models have 50/50 drain with pop-up type fitting with plated flange and stopper.
- Handle: 3 1/2" (89 mm) lever handle - ADA compliant.
- Maximum flow rate 1.5 gpm @ 60 PSI, 5.7 lpm @ 414 KPa.

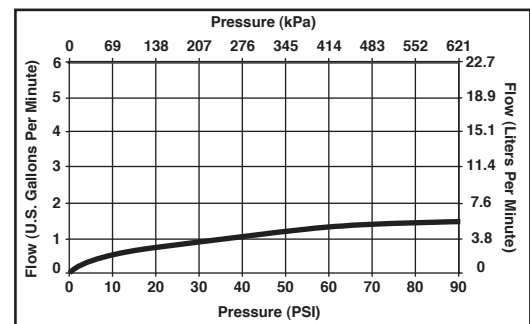
WARRANTY

- Lifetime Faucet and Finish Limited Warranty to the original consumer purchaser to be free from defects in material and workmanship.
- 5 Year Limited Warranty for usage in all industrial, commercial and business applications.



COMPLIES WITH

- ASME A1 12.18.1 / CSA B125.1
- ASME A1 12.18.2 / CSA B125.2
- ♿ Indicates compliance to ICC / ANSI A1 17.1
- EPA WaterSense
- NSF 61



395 Matheson Blvd. E., Mississauga, Ontario, Canada L4Z 2H2
 © 2010 Masco Canada