

# PUSH POP ASSEMBLY

■ Pop-up Assembly With Overflow Holes

## STANDARD SPECIFICATIONS:

- All metal construction pop-up assembly
- Tailpiece chrome plated for all finishes
- For use with sinks with overflow

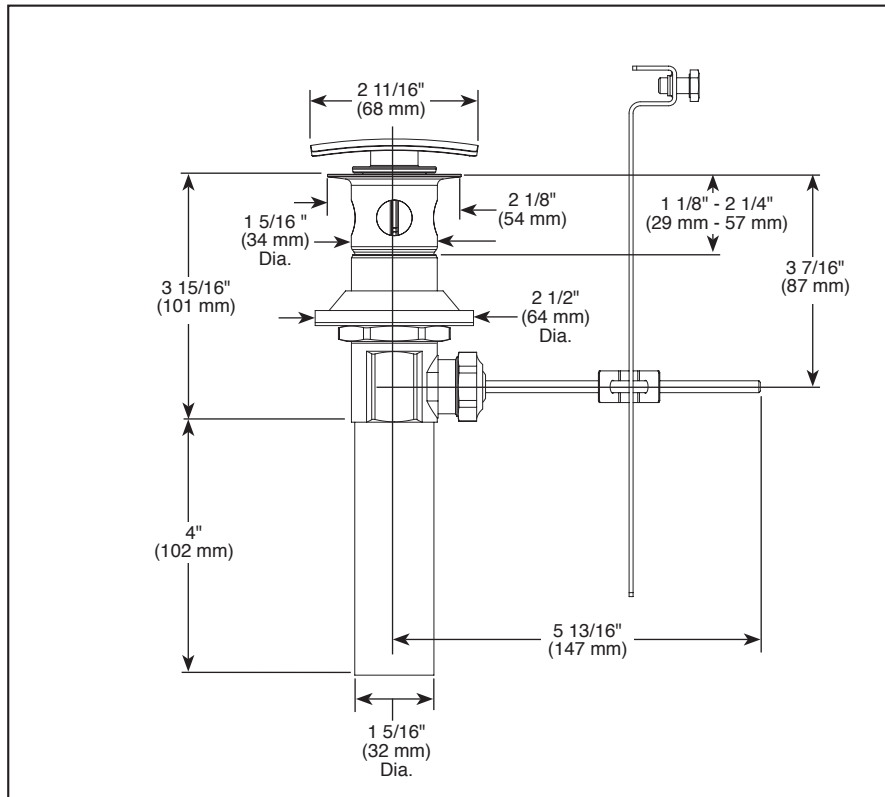
Submitted Model No.: \_\_\_\_\_  
 Specific Features: \_\_\_\_\_

## WARRANTY

- Lifetime limited warranty on parts (other than electronic parts and batteries) and finishes: or, for commercial users, for 5 years from date of purchase.
- 5 year limited warranty on electronic parts (other than batteries); or, for commercial users, for 1 year from the date of purchase. No warranty is provided on batteries.

## COMPLIES WITH:

- ASME A112.18.2 / CSA B125.2



▲ Designate Proper Finish Suffix



Delta reserves the right (1) to make changes in specifications and materials, and (2) to change or discontinue models, both without notice or obligation. Dimensions are for reference only. See current full-line price book or [www.deltafaucet.com](http://www.deltafaucet.com) for finish options and product availability.

55 E. 111th Street, Indianapolis, Indiana 46280  
 350 South Edgeware Road, St. Thomas, ON N5P 4L1  
 © 2017 Masco Corporation of Indiana