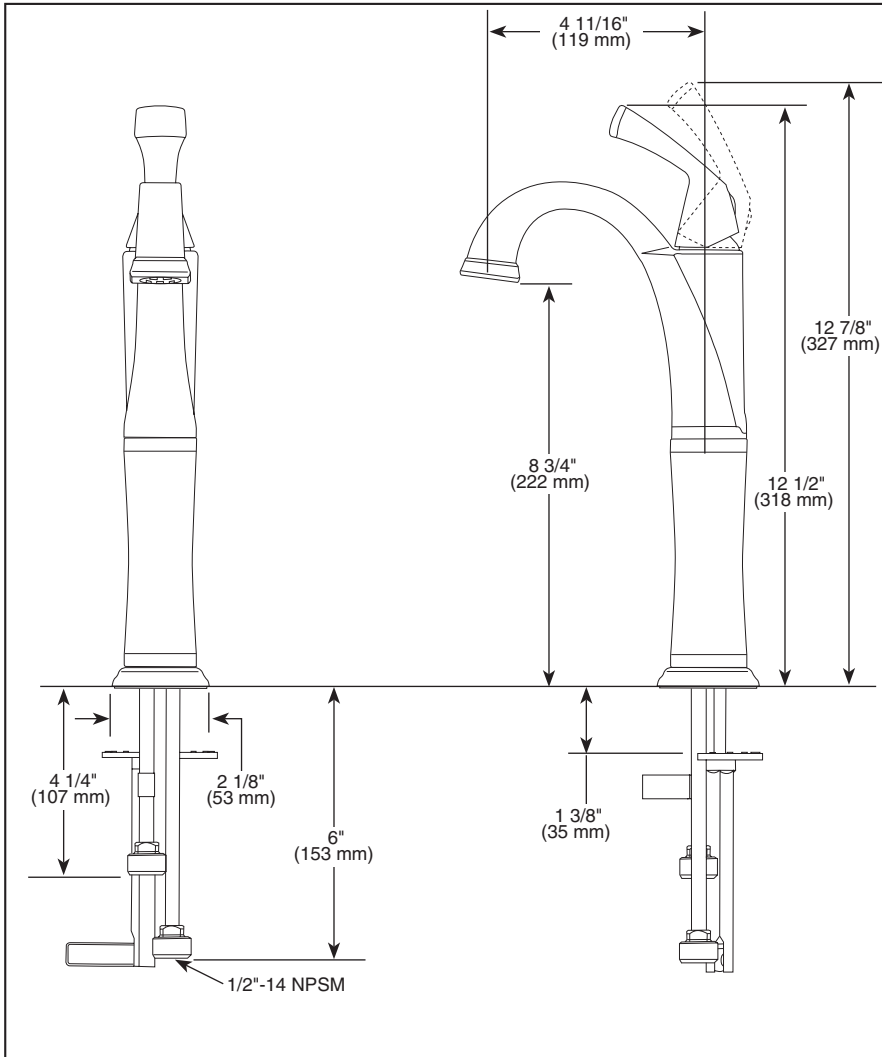


751

Submitted Model No.: _____

Specific Features: _____



LAVATORY FAUCETS

- Dryden™ Collection
- Single Handle Deck Mount
- 1 Hole Mount
- 6" Riser

STANDARD SPECIFICATIONS:

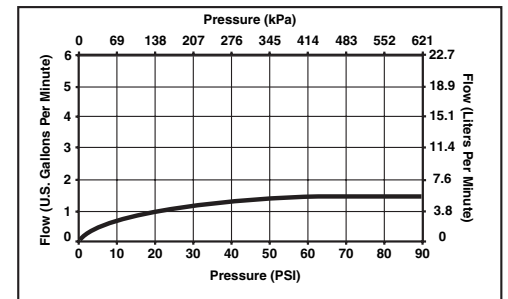
- Single handle lavatory deck faucet.
- 1 hole mount.
- Solid brass fabricated body.
- 4 11/16" (119 mm) long spout.
- 1 1/4" minimum - 2" maximum hole size.
- Ceramic cartridge.
- Models have 3/8" O.D. copper supply tubes with 1/2"-14 NPSM adapters.
- Models have maximum 1.5 gpm flowrate @ 60 PSI.

WARRANTY

- Lifetime Faucet and Finish Limited Warranty to the original consumer purchaser to be free from defects in material and workmanship.
- 5 Year Limited Warranty for usage in all industrial, commercial and business applications.

COMPLIES WITH:

- ASME A112.18.1 / CSA B125.1
- Indicates ADA compliance to ICC/ANSI A117.1/ADA
- IAPMO Listed
- CSA Certified
- EPA Water Sense



Delta reserves the right (1) to make changes in specifications and materials, and (2) to change or discontinue models, both without notice or obligation. Dimensions are for reference only. See current full-line price book or www.specselect.com for finish options and product availability.



55 E. 111th Street, Indianapolis, Indiana 46280
 395 Matheson Blvd. E., Mississauga, ON L4Z 2H2
 © 2008 Masco Corporation of Indiana