

see what Delta can do™

## TUB AND SHOWER FAUCET TRIM

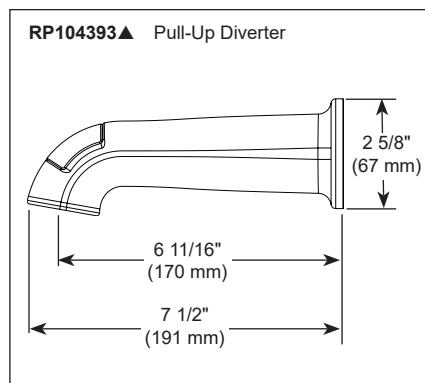
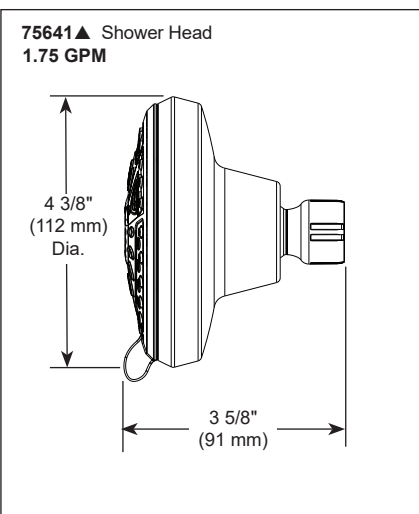
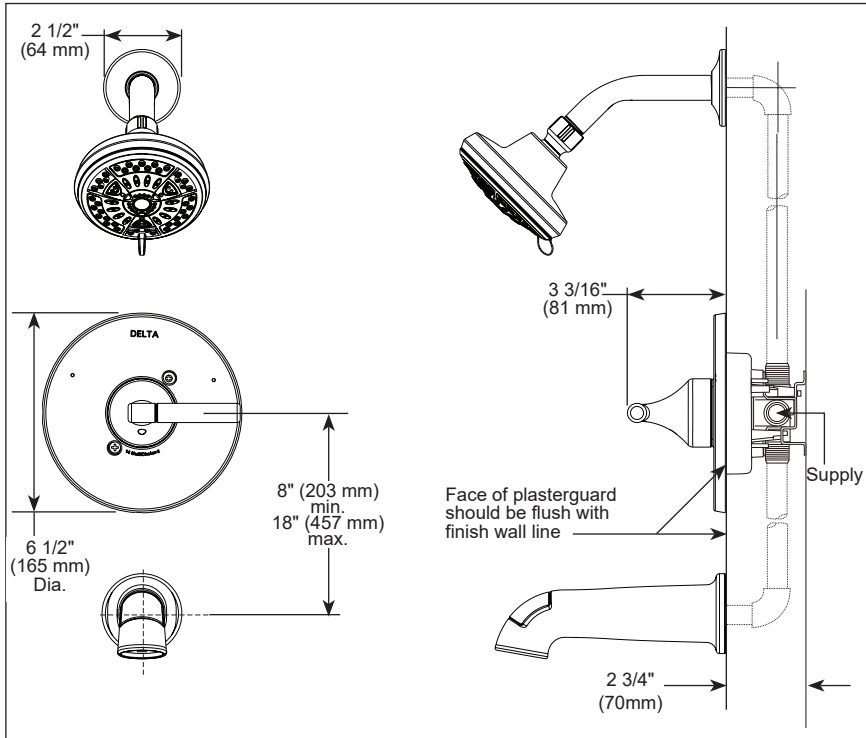
■ Foundations® Design Series Bath Collection

### FEATURES:

- Monitor® 14 Series pressure balanced single handle bath mixing valve trim
- Shower head with six spray settings

### STANDARD SPECIFICATIONS:

- Maintains a balanced pressure of hot and cold water even when a valve is turned on or off elsewhere in the system
- For use with MultiChoice® Universal rough valve body (R10000 Series)
- Back-to-back installation capability
- Temperature only controlled with handle
- Field adjustable means to limit handle rotation into hot water zone
- 120° maximum handle rotation
- Shower Head max flow rate 1.75 gpm @ 80 psi, 6.6 L/min @ 550 kPa
- Tub port max flow rate 6.0 gpm @ 60 psi with R10000-UNBX
- Shower arm overall horizontal length = 5 1/2" (138 mm), including threaded ends
- Hot & Cold temperature indicators on escutcheon
- All parts replaceable from the front of the valve
- Pull-up tub spout: Threaded 1/2" NPT iron pipe, 1/2" CWT copper, sweat and slip-on applications
- Spray settings include: Full Body Spray, Full Spray with Massage, Massaging Spray, Shampoo Rinsing Spray, Shampoo Rinsing Spray with Massage, Soft Drench with Full Spray
- Extension kit RP77991 can be ordered to allow for an additional 1 3/4" wall thickness



▲ Designate Proper Finish Suffix

### WARRANTY

- Parts and Finish - Lifetime limited warranty; or for commercial purchasers, 10 years for multi-family residential (apartments and condominiums) and 5 years for all other commercial uses, in each case from the date the product is received by the original purchaser or their authorized representative (installation contractor, etc.).
- Please go to [www.deltafaucet.com](http://www.deltafaucet.com) for the complete details of our limited warranty.



### COMPLIES WITH:

- ASME A112.18.1 / CSA B125.1
- ASSE 1016 / ASME A112.1016 / CSA B125.16
- EPA WaterSense®
- ICC/ANSI A117.1 - Valve control only



35904LF-▲



see what Delta can do™

## BATHROOM FAUCET

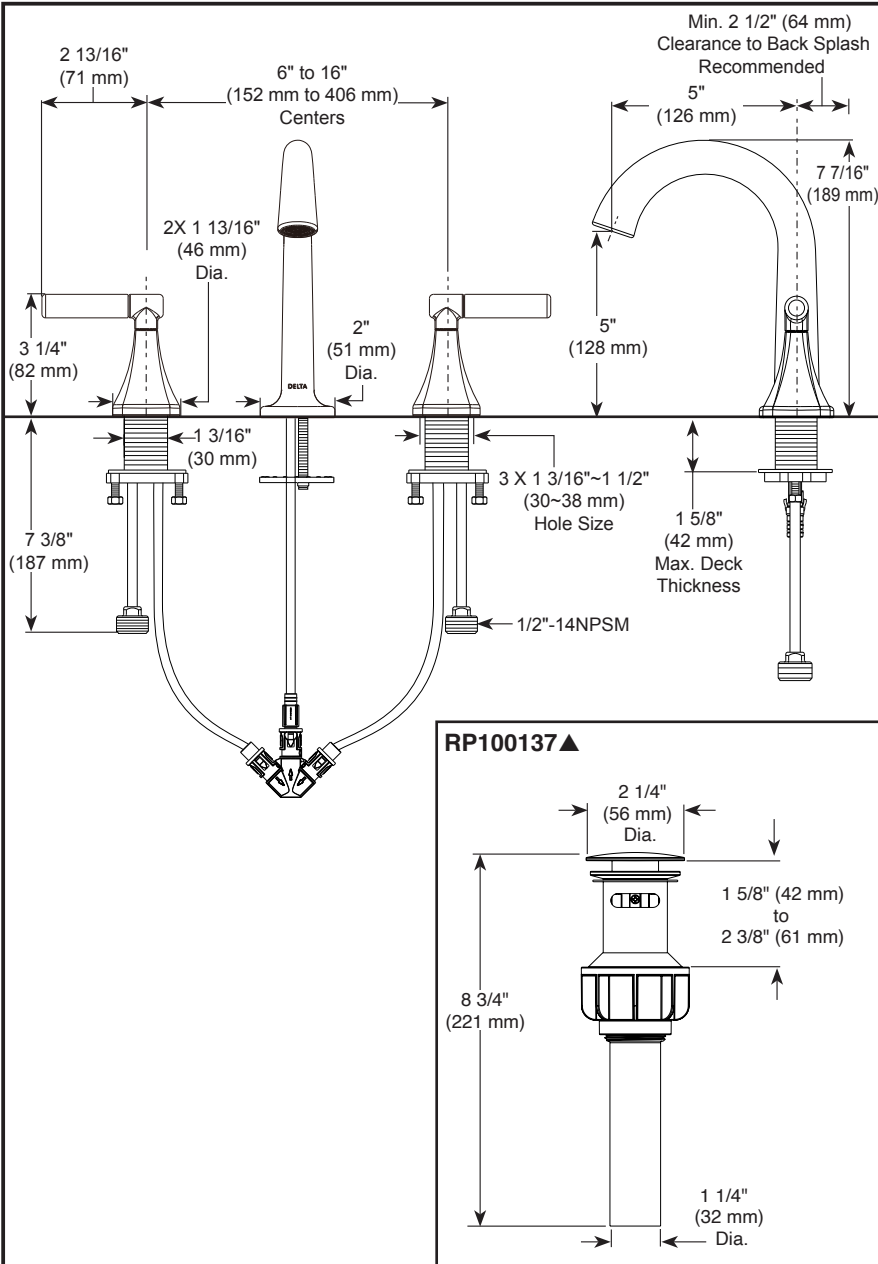
- Foundations® Bath Collection
- Two Handle Widespread, Deck Mount

### STANDARD SPECIFICATIONS:

- Max flow rate 1.2 gpm @ 60 psi, 4.5 L/min @ 414 kPa.
- Three-hole mount.
- Solid metal end valves and spout body.
- Hot and cold stems are interchangeable.
- 1/4 turn handle stops.
- 1/2"-14 NPSM adapters.
- Control mechanism is a rotating cylinder type with stainless steel plate and 90° rotation, with replaceable non-metallic seats.
- Models have push pop-up with over flow
- Note: Standard mounting deck thickness can be extended by 1" (25mm) with RP10612.

### WARRANTY

- Parts and Finish - Lifetime limited warranty; or for commercial purchasers, 10 years for multi-family residential (apartments and condominiums) and 5 years for all other commercial uses, in each case from the date the product is received by the original purchaser or their authorized representative (installation contractor, etc.).
- Please go to [www.deltafaucet.com](http://www.deltafaucet.com) for the complete details of our limited warranty.



▲ Designate proper finish suffix

Delta Faucet Company reserves the right (1) to make changes in specifications and materials, and (2) to change or discontinue models, both without notice or obligation. Dimensions are for reference only. See current full-line price book or [www.deltafaucet.com](http://www.deltafaucet.com) for finish options and product availability.

DSP-L-35904LF Rev. A



### COMPLIES WITH:

- ASME A112.18.1 / CSA B125.1
- ASME A112.18.2 / CSA B125.2
- EPA WaterSense®
- ♿ ICC/ANSI A117.1 - Valve control only

### Delta Faucet Company

55 E. 111th Street, Carmel, IN 46280  
 350 South Edgeware Road, St. Thomas, ON N5P 4L1  
 © 2025 Delta Faucet Company