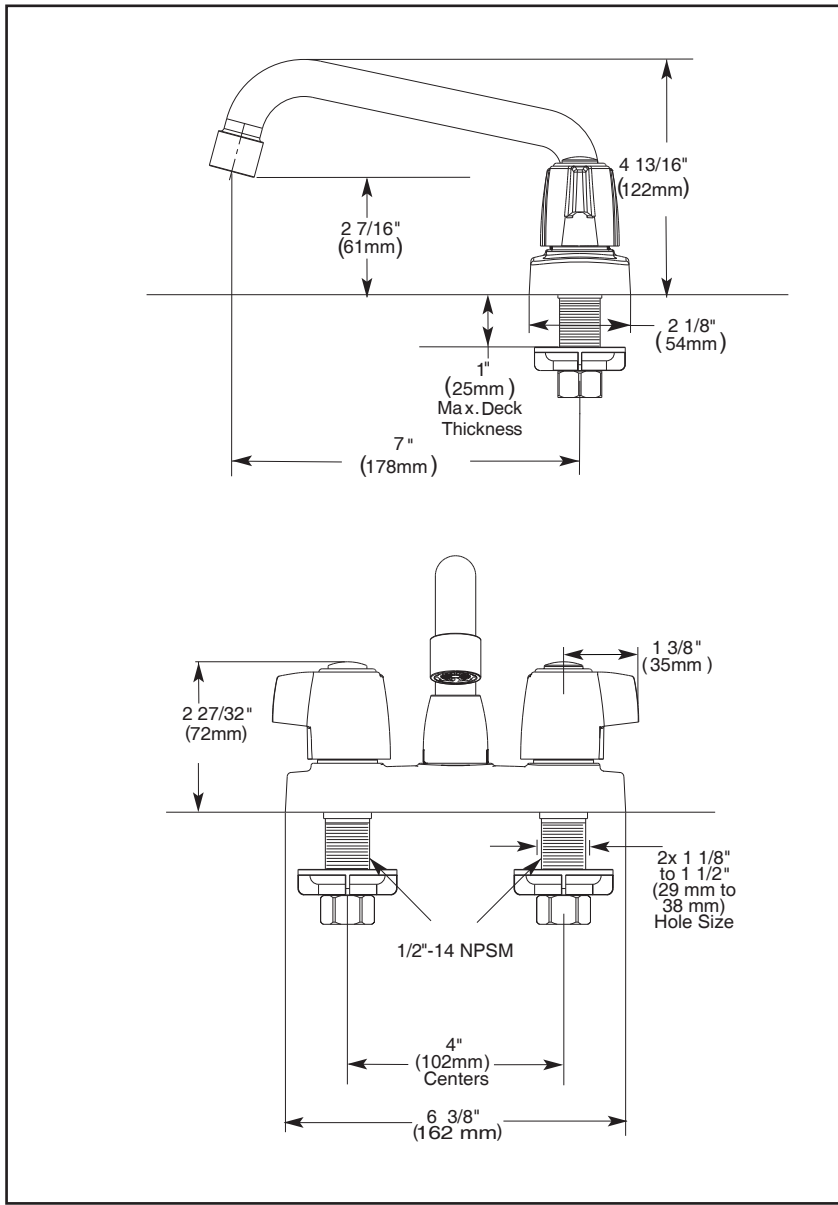


2123 

Submitted Model No.: _____

Specific Features: _____



SPECIALTY FAUCETS

- Two Handle Laundry Faucet
- Deck Mount
- 2 And 3 Hole Sink Applications
- 4" (102 mm) Centerset

STANDARD SPECIFICATIONS:

- Two handle deck faucet for exposed mounting on 2 and 3 hole sinks.
- Solid brass cast body.
- 4" (102mm) Centerset.
- 7" (178mm) long, 4 13/16" (122mm) high spout swings 360°.
- Hot and cold stems are interchangeable.
- Control mechanism shall be of the rotating cylinder type with stainless steel plate and 90° rotation, with replaceable non-metallic seats.
- 1/2" -14 NPSM threaded male shanks.

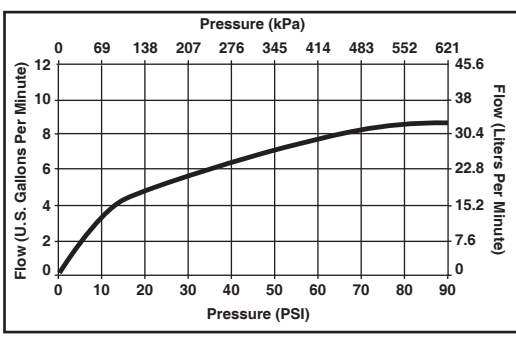
WARRANTY

- Lifetime Faucet and Finish Limited Warranty to the original consumer purchaser to be free from defects in material and workmanship.
- 5 Year Limited Warranty for usage in all Industrial, Commercial and business applications.



COMPLIES WITH

- ASME A112.18.1
- Indicates compliance to ICC / ANSI A117.1
- CSA Certified



Delta reserves the right (1) to make changes in specifications and materials, and (2) to change or discontinue models, both without notice or obligation. Dimensions are for reference only. See full-line price book or www.specselect.com for finish options and product availability.

